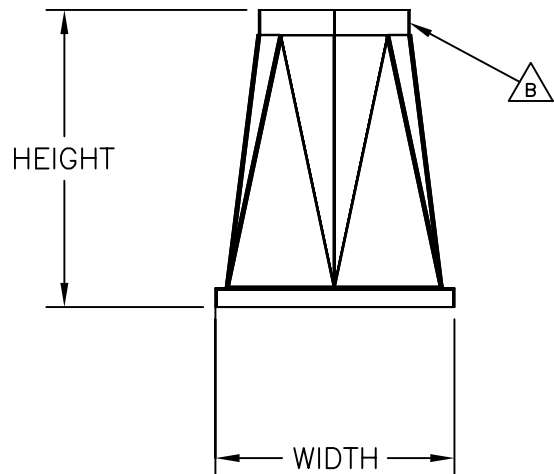
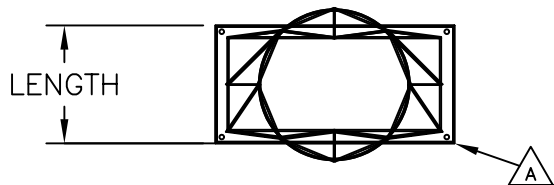
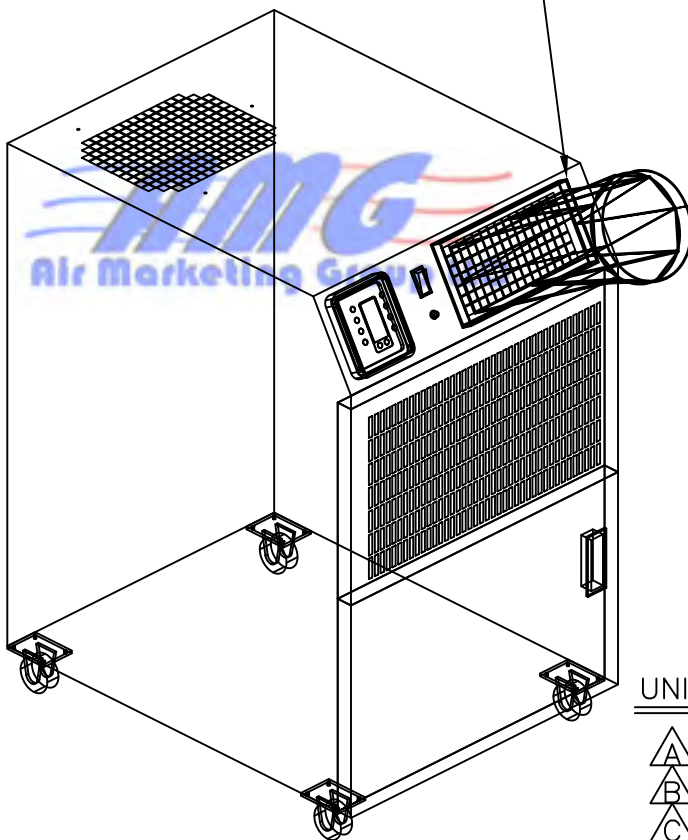


COLD AIR SUPPLY DUCT ADAPTER

PART NO.	UNITS	LENGTH	WIDTH	HEIGHT	DUCT
DA-6	TZ-10/12	5"	10"	10"	6"
DA-10	TZ-18/24/36	7"	16"	10"	10"
DA-14	TZ-60	10"	18"	13"	14"



ATTACH ADAPTER TO UNIT
USING TRUSS-HEAD SCREWS.



UNIT COMPONENTS

- △ PRE-PUNCHED DUCT ADAPTER PANEL
- △ DUCT FLANGE
- △ #8 x 1.00 TRUSS HEAD SCREWS

MATERIAL	DRAWN BY MLO	APPROVED BY	COLD AIR SUPPLY DUCT ADAPTER TOPAZ AIR CONDITIONERS
SCALE 1=8	DATE 03/10/00	DATE	RUPP INDUSTRIES, INC. TEMP-AIR DIVISION
			DRAWING NO. DUCT-ADAPTER