

Job Name	Location		
Purchaser	Engineer		
Submitted to	Reference	Approval	Construction
Unit Designation	Schedule #		

Specifications

Performance	Nominal Capacity	Cooling (Btu/h)	36,000	
		Heating (Btu/h)	36,000	
	Capacity Range	Cooling (Btu/h)	9,000 - 38,000	
		Heating (Btu/h)	9,000 - 45,000	
	SEER / EER		18.0 / 10.8	
	HSPF		9.0	
Condensate (pints/hour)		8.45		
Power	Voltage (øV/Hz)		1 / 208-230 / 60	
	Working Voltage Range (VAC)		176 - 254 (max. 3% deviation from each)	
	Rated Current (Low/Std./Max.)	Cooling (A)		3.6 / 14.2 / 18.0
		Heating (A)		3.3 / 14.5 / 21
	Max. Breaker (A)			30
	Min. Circuit Ampacity (A)			19.5
Dimensions	W X H X D (inches)	Indoor Unit	50 3/8 X 13 9/16 X 10	
		Outdoor Unit	36 11/16 X 45 7/8 X 14 3/4	
	Weight (lbs.)	Indoor Unit	40	
		Outdoor Unit	209	
	Condensate Connection		11/16" OD	
Heat Exchanger	Indoor & Outdoor Unit	Type	Aluminum Fin - Copper Tube	
		FPI	18	
		Pipe Diameter	1/4 inch	
	Indoor Unit		2 row / 18 step	
	Outdoor Unit		2 row / 52 step	
Sound Pressure Level (dB)	Indoor Unit	(L/H)	33 / 46	
	Outdoor Unit	High	58	
Operating Temperatures (°F)	Outdoor	Cooling	14 ≤ T ≤ 115	
		Heating	-5 ≤ T ≤ 75	
	Indoor	Cooling	61 ≤ T ≤ 90	
		Heating	T ≤ 80	
Pipe Connections	Indoor & Outdoor	High side (flare)	1/4"	
		Low side (flare)	5/8"	
		Maximum / Minimum Line Set Length (ft.)	164 / 10	
		Maximum Vertical Separation (ft.)	98	
Refrigerant	Type		R410A	
	Control Method		Electronic Expansion Valve	
	Factory Charge (oz.)		88.1	
	Charged for		25 ft.	
	Additional Refrigerant		0.43 oz./ft. over 25 ft.	
Compressor	Manufacturer		Samsung	
	Type		DC, Inverter Driven, Rotary	
	RLA (A)		13.8	
	Operating Frequency (Low/Std./Max.)	Cooling (Hz)		15 / 55 / 63
		Heating (Hz)		15 / 50 / 69
Evaporator Fan	Type		BLDC motor with cross-flow fan (1)	
	Air Volume (max. CFM)		883	
	Consumption W		58	
	Operating Current (A)		0.22	
Condenser Fan	Motor		BLDC motor with axial fan (2)	
	Output W		248	
	FLA Amps		1.04	
Accessories	Condensate pump		ASP-MO-UNIV 110-250	
	Wired Controller	Standard	AQN-WRS (includes sub-PCB and MWR-WH00 wired controller)	
		Premium	AQN-WRP (includes sub-PCB and MWR-WE10 wired controller with scheduling)	
	Interface module for central control		MIM-B13D	
	Wall bracket (for outdoor unit)		CKN-250	
	Line sets - insulated and flared, interconnect cables included		25' - ILS2509	
			50' - ILS5009	
Safety	Certifications	ETL & ETLc		
	Devices	PCB fuses, indoor unit terminal block thermal fuse, current transformer, over-voltage protection, crankcase heating, temperature limit protection logic, compressor overload sensing		
Warranty	5 Years compressor, 3 Year Parts, 120 Day limited labor			



AQN36VFUAGM



AQX36VFUAGM

- Low ambient control built in
- Outdoor unit shall provide 208/230V power to indoor unit via 14 AWG X 3 interconnect power cable
- Electro-static, washable, HD (high density) main filter as standard

Construction

Indoor unit chassis shall be UL94 V0 with a galvanized steel mounting bracket

The outdoor unit shall be galvanized steel with a baked on powder coated finish for durability

Heat Exchanger

The heat exchanger shall be mechanically bonded fin to copper tube

Refrigerant System

The compressor shall be hermetically sealed, inverter controlled, Twin BLDC Rotary

Refrigerant flow shall be controlled by EEV (electronic expansion valve) at outdoor unit

Indoor Fan

The indoor fan shall be a single, antibacterial cross-flow type

Three fan speed settings and auto setting

Controls

Control signal shall be DDC type signal

Interconnect control wiring shall be 16 AWG X 2 shielded wire between outdoor and indoor units

Unit shall be operated via wireless controller (included)

Optional wired control available

Contact Quietside for details regarding central control applications, capabilities, and limitations

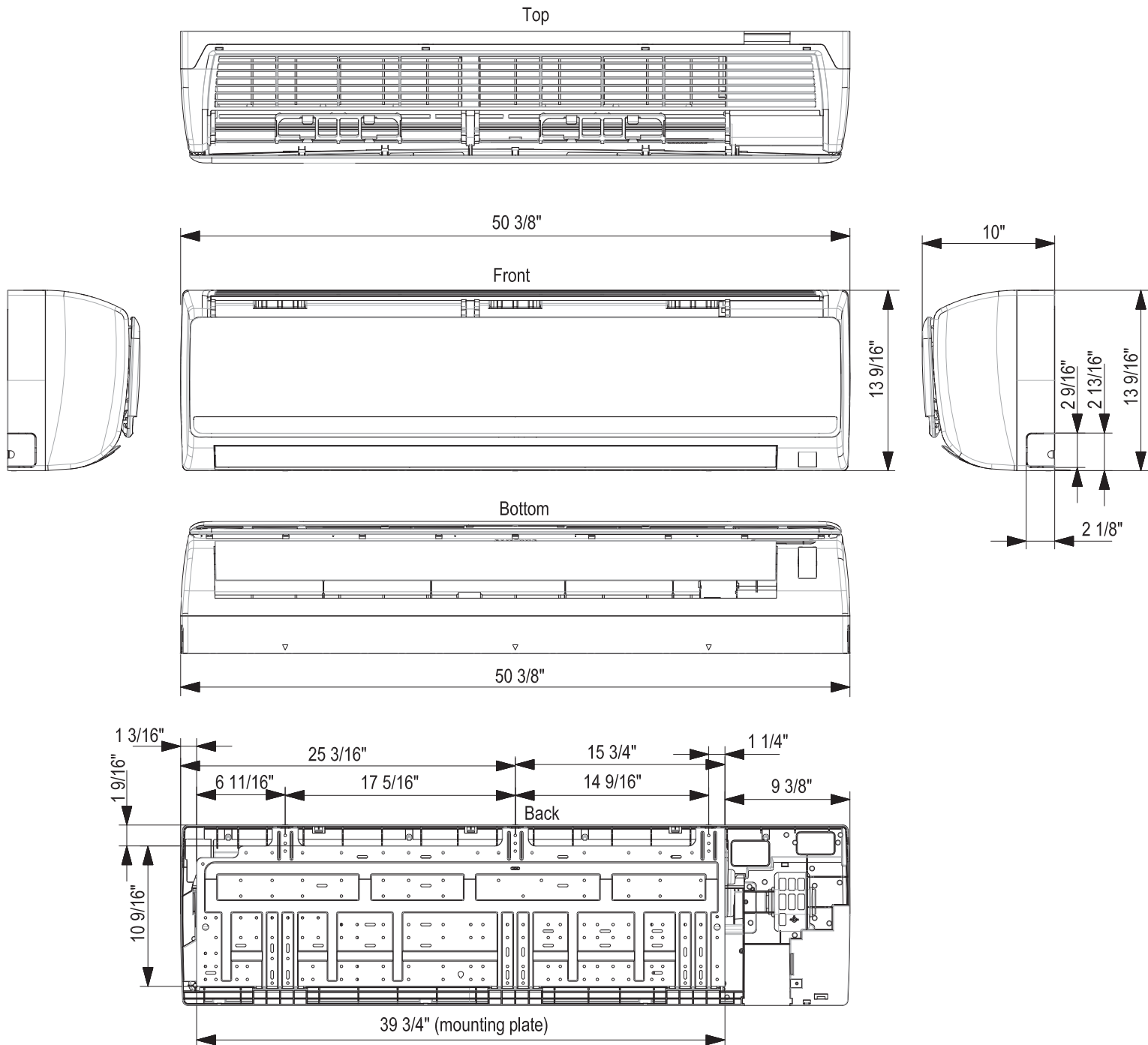
Convenience

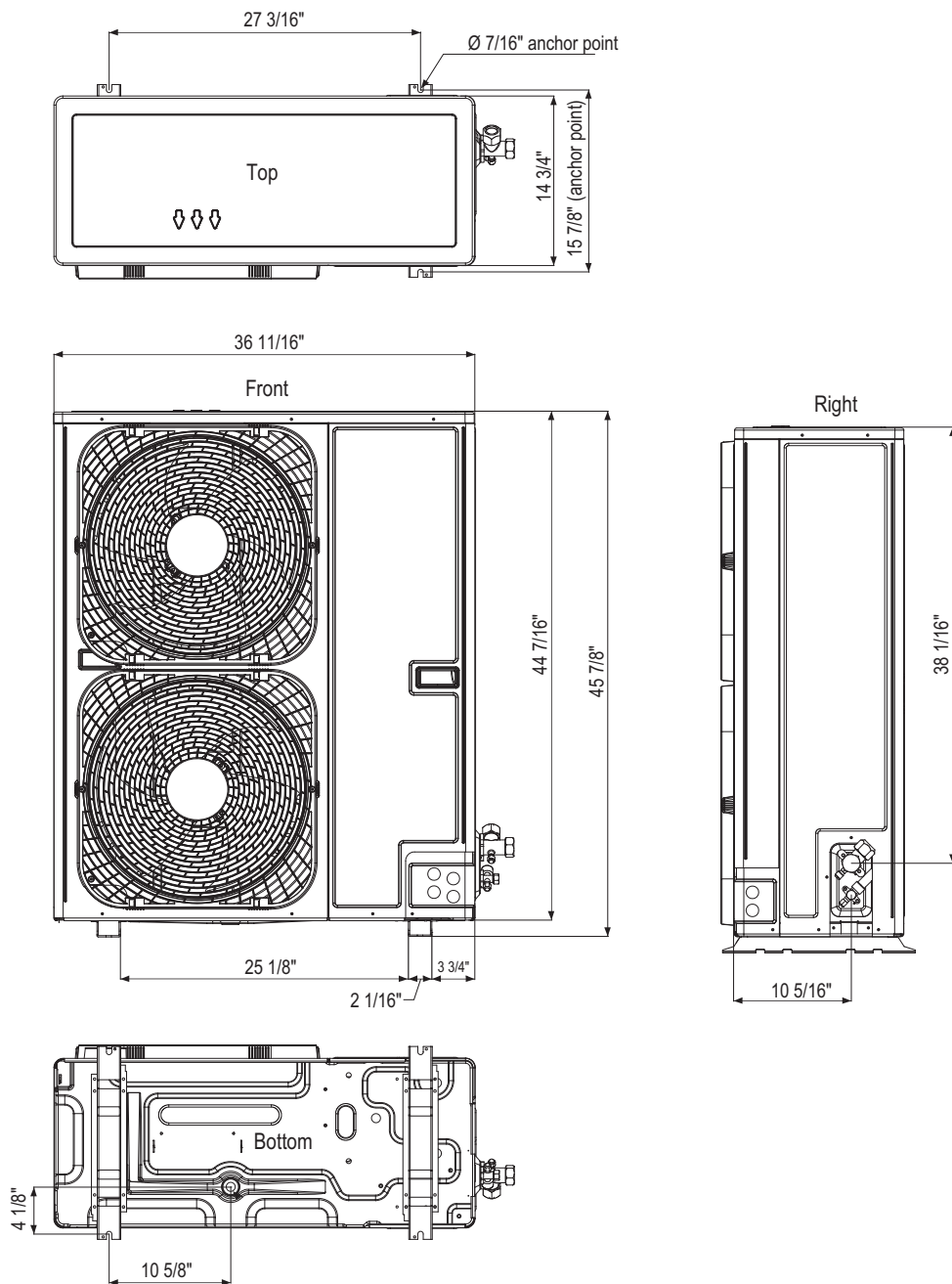
- Auto restart
- Turbo mode (during cooling operation only)
- Auto changeover
- 24 hour timer
- Good'sleep mode
- Quiet mode
- Dry mode

Nominal cooling capacities are based on: Indoor temperature: 80°F DB, 67°F WB. Outdoor temperature: 95°F DB, 75°F WB.
 Nominal heating capacities are based on: Indoor temperature: 70°F DB, 60°F WB. Outdoor temperature: 47°F DB, 43°F WB.

Quietside maintains a policy of ongoing development, specifications are subject to change without notice. Refer to www.AHRIdirectory.org for current reference numbers.







For reference only. Always refer to installation manual for complete details.

