



Job Name \_\_\_\_\_  
 Purchaser \_\_\_\_\_  
 Submitted to \_\_\_\_\_  
 Unit Designation \_\_\_\_\_

Location \_\_\_\_\_  
 Engineer \_\_\_\_\_  
 Reference Approval Construction  
 Schedule # \_\_\_\_\_

**Specifications**

Model	Indoor Unit Model Number		AC048JN4DCH/AA
	Outdoor Unit Model Number		AC048JXADCH/AA
Performance	Nominal Capacity	Cooling / Heating (Btu/h)	48,000 / 53,000
		Capacity Range	Cooling (Btu/h) Heating (Btu/h)
	SEER / EER		18.8 / 9.7
	COP (nominal heating)		3.08
	HSPF		9.5
	AHRI Certification Number		7918790
	Condensate (pints/hour)		14.8
Power	Voltage	ø / V / Hz	1 / 208-230 / 60
	Working Voltage Range (VAC)		176 - 254 (max. 3% deviation from each)
	Operating Current (min. / std. / max.)	Cooling (A)	6.4 / 22.9 / 23.0
		Heating (A)	5.0 / 23.4 / 28.0
	Max. Breaker	Amps	35
Min. Circuit Ampacity (A)		25.5	
Dimensions	W X H X D (inches)	Indoor Unit	33 X 11 5/16 X 33
		Outdoor Unit	37 X 48 X 13
	Weight (lbs.)	Indoor Unit	41.89
		Outdoor Unit	194
Heat Exchanger	Indoor & Outdoor Unit	Type	Aluminum Fin / Copper Tube
		FPI	18
	Outdoor Unit	Pipe Diameter (inches)	1/4
		Type	Aluminum, flat fin, micro channel
Sound Pressure Level	Indoor Unit dB(A)	L / M / H	35 / 41 / 45
	Outdoor Unit dB(A)	Cooling / Heating (high)	53 / 55
Operating Temperatures (°F)	Outdoor	Cooling	23 ≤ T ≤ 115 0 ≤ T ≤ 115 w/wind baffle
		Heating	-4 ≤ T ≤ 76
	Indoor	Cooling	61 ≤ T ≤ 90
		Heating	T ≤ 80
Pipe Connections	Indoor & Outdoor	High side (flare)	3/8"
		Low side (flare)	5/8"
	Maximum (ft.)		246
	Maximum Vertical Separation (ft.)		98
Condensate Connection		1 1/8" OD	
Refrigerant	Type		R410A
	Control Method		Electronic Expansion Valve
	Factory Charge	oz.	98.77
	Charged for		25 feet
Additional Refrigerant		0.355 oz/ft over 25 feet	
Compressor	Manufacturer		Samsung
	Type		Inverter Driven, Twin BLDC, Rotary
	RLA	A	17.0
Evaporator Fan	Type		BLDC With Turbo Type Fan (1)
	Air Volume	CFM (L/M/H)	950 / 1040 / 1300
	Output	Watts	97
	Operating Current	Amps	0.35
Condenser Fan	Motor		BLDC With Axial Type Fan (2)
	FLA / Watts / CFM (max.)		0.48 A X 2 / 125 W X 2 / 3,040 CFM
Fascia Panel	Model Number		PC4NUSKFN (purchased separately)
	L X W X H	Inches	37 3/8 X 37 3/8 X 1
	Weight	lbs.	13
Optional Accessories	Wired Controller	Simplified	MWR-SH00N
		Simplified Touch Controller	MWR-SH10N
		Premium w/scheduling	MWR-WE10N
	Wi-Fi Adapter		MIM-H03UN
	External Temperature Sensor		MRW-TA
	Wireless Controller		MR-EH00U
	External Contact Control		MIM-B14
	Central Control Interface Module for Connection to DVM Plus Controls (non-NASA)		MIM-N01
	Wall Bracket (for outdoor unit)		CKN-250
	Wind Baffles	Front	WBF-1 (requires 2)
Back		WBB-2	
Line Sets - insulated and flared, interconnect cables included	25' - ILS-2510		
	50' - ILS-5010		
Safety	Certifications		
	ETL & ETLc		
Devices	PCB fuses, indoor unit terminal block thermal fuse, current transformer, over-voltage protection, crankcase heating, temperature limit protection logic, compressor overload sensing		



- Low ambient control built in
- The outdoor unit shall supply power to indoor unit via 14 AWG X 3 power wire
- Auto-restart after power loss
- The outdoor unit shall have a snow accumulation prevention option setting to prevent snow drifting against an idle outdoor unit.
- The indoor and outdoor units shall have a removable EEPROM that stores system programming information, unit name, and other data
- All indoor unit addressing and option settings shall be done digitally; the indoor unit does not contain rotary dials or setting switches.
- Electro-static, washable, pleated filter as standard (included with fascia panel).
- Built in condensate pump and check valve with maximum 29" lift
- Knock-out for outside air capability (with booster fan connection)
- Fascia panel shall have LED indicator lights, IR receiver, and 4 motorized louvers (independent louver control is possible with wireless or premium wired controller).
- Pipe connections at the outdoor unit shall be made inside the unit chassis. Refrigerant pipes can exit through the front, side, rear, or bottom sides of the outdoor unit.
- The outdoor unit shall have a night time quiet mode option to reduce operating sound during the night (automatic or manual activation with dry contact signal).

**Construction**

The outdoor unit shall be galvanized steel with a baked on powder coated finish for durability

The indoor unit shall be have a galvanized steel frame with HIPS chassis and fascia panel certified to UL94 V0.

**Heat Exchanger**

The indoor unit heat exchanger shall be mechanically bonded fin to copper tube

The outdoor unit heat exchanger shall be aluminum, flat fin, micro channel

**Controls**

Control signal shall be a DDC type signal

Interconnect control wire between outdoor indoor unit shall be 16 AWG X 2 shielded

Wired or wireless controls must be purchased separately

Connection to optional wired controllers shall be 16 AWG X 2 shielded wire

Controls shall integrate with a BMS system

The system shall integrate with the Samsung NASA Controls Solution

No additional interface modules/adapters are required when connecting to Samsung NASA DVM S central control options (MIM-D00AN, MIM-B17N, MIM-B18N, MCM-A300N).

**Refrigerant System**

The refrigerant shall be R410A

The compressor shall be hermetically sealed, inverter controlled, twin BLDC Rotary

Refrigerant flow shall be controlled by an electronic expansion valve at outdoor unit

Soft-start to reduce current demand during compressor start

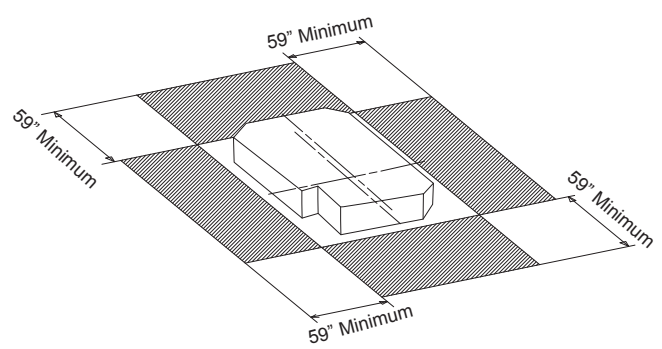
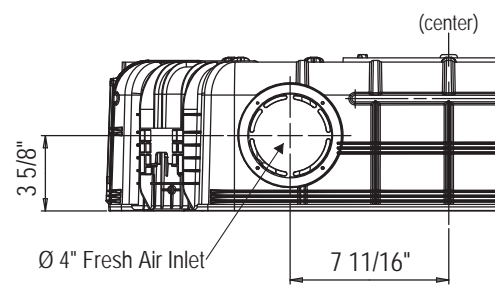
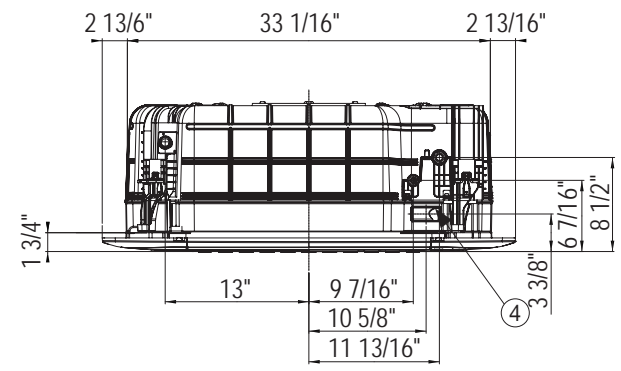
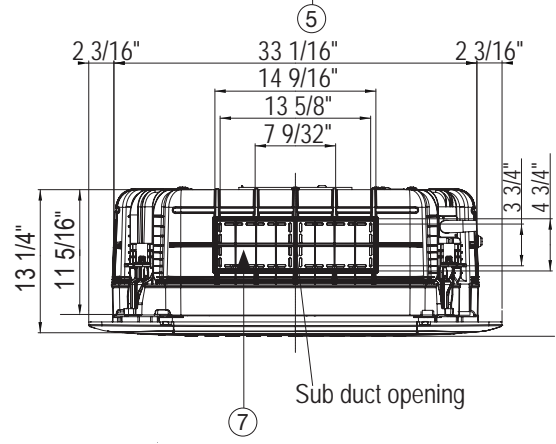
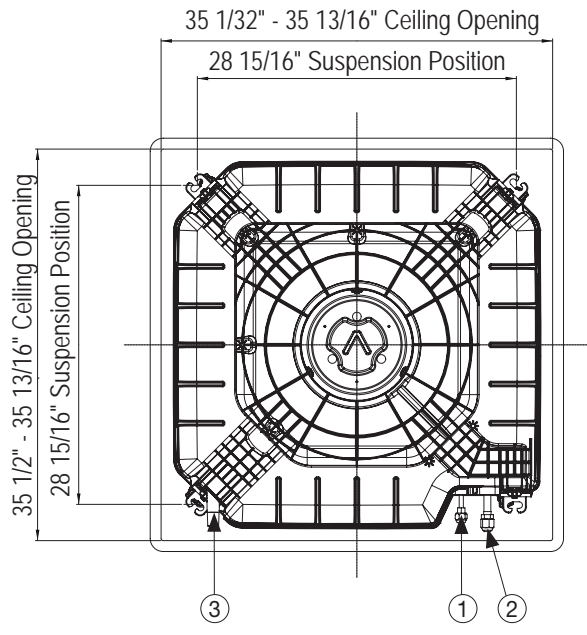
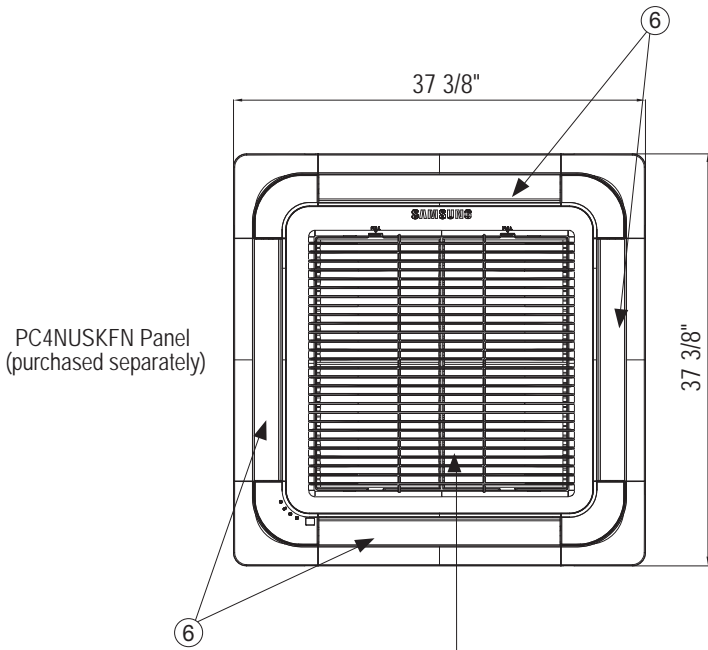
**Warranty**

10 years compressor, 10 years parts, 1 year limited labor (conditions apply)

Quietside maintains a policy of ongoing development, specifications are subject to change without notice. Refer to www.AHRI.directory.org for current reference numbers.

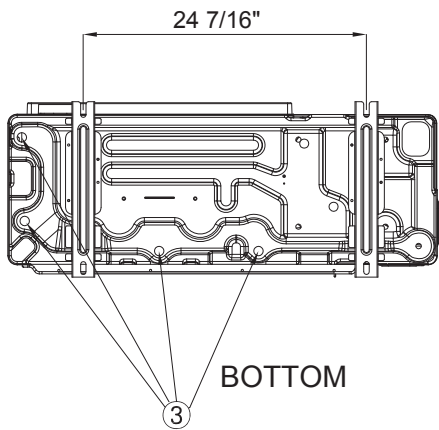
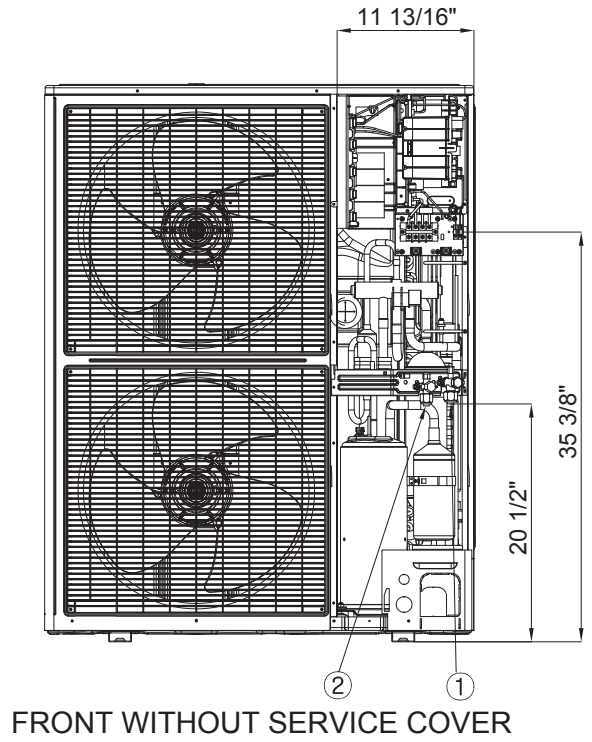
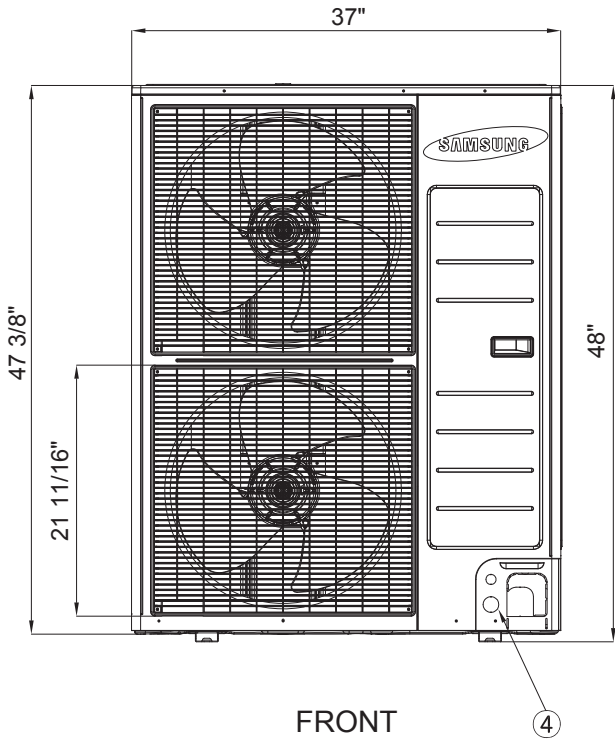
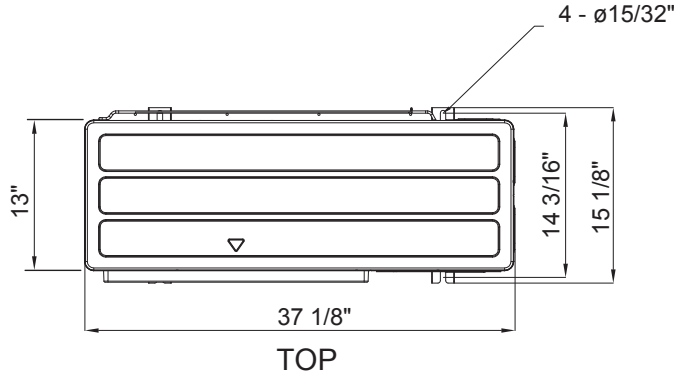
\* Nominal cooling capacities are based on: Indoor temperature: 80°F DB, 67°F WB. Outdoor temperature: 95°F DB, 75°F WB.  
 \* Nominal heating capacities are based on: Indoor temperature: 70 F DB, 60 F WB. Outdoor temperature: 47 F DB, 43 F WB.





No.	Name	Description
①	Liquid Pipe Connection	Ø 3/8" Flare
②	Gas Pipe Connection	Ø 5/8" Flare
③	Drain Pipe Connection	OD 1 1/4", ID 1"
④	Conduit for Power & Communication Wiring	-
⑤	Air Inlet Grille	-
⑥	Air Outlet Louver	-
⑦	Sub Duct Outlet	-

Proper clearance must be maintained around unit for proper operation.



No.	Description
1	Suction service valve
2	Liquid service valve
3	Power and communication conduit openings