

Job Name : _____
 Purchaser : _____
 Engineer : _____
 Submitted To : _____
 Submitted By : _____
 Unit Designation : Schedule No.: _____

Location : _____
 P.O. No. : _____
 Architect : _____
 Date : _____
 For : Reference Approval Construction
 Model No.: _____

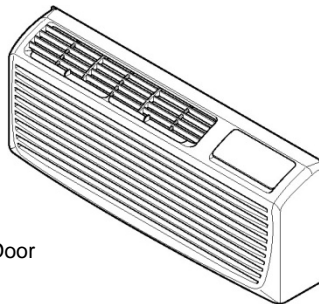
Submittal Data : PTAC & PTHP - 265V (R-410A)



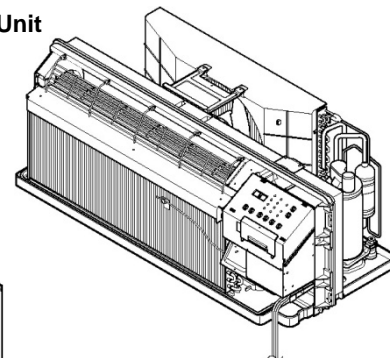
Standard Features :

- Limited Five Year Parts and Labor Warranty on Sealed Refrigerant System
- Limited One Year Full System Warranty on Parts and Labor, 2-5 Year Parts
- R-410A Refrigerant
- Ultra Quiet Operation
- High Energy Efficiency
- Digital Control Display
- Gold Fin™ Anti-corrosion Treatment for Condenser
- Auto Restart
- Energy Saver Mode
- Front Desk Control
- Freeze Room Protection
- Dip Switch setting for temperature limiting
- Temperature Display on unit
- Fresh Air Ventilation, 70 CFM @ 0.3 ESP with Open Damper Door
- Power Cord Length 6.3 ft
- **Unit Dimension (inches, W x H x D) : 42 x 16 x 19 7/8**

Front Grille Assembly



Unit



Unit Specification :

Model No.	Cooling Capacity (Btu/h)	EER	Heating Capacity (Btu/h)	COP	Electric Heater (kW)	Power Supply (V, Hz, Ph)	Air Circulation (CFM, High)	Dehumidification (pts/hr)	Running Current (Amps)		Power Input (Watts)		Minimum Circuit Amps (A)	Maximum Overcurrent Protection (A)	Weight Net/Gross (lbs)	dBA Level (Indoor/Outdoor)
									Cooling	Heating	Cooling	Heating				
LP076CD2A	7,200	11.0	-	-	2.0	265,60,1	255	1.5	2.7	-	650	-	9.7	15	93.0	45/61
LP076CD3A	7,200	11.0	-	-	3.7	265,60,1	255	2.0	2.7	-	650	-	17.7	20	93.0	45/61
LP096CD3A	9,000	10.5	-	-	3.7	265,60,1	290	2.0	3.4	-	860	-	17.7	20	103.8	46/61
LP126CD3A	11,800	10.2	-	-	3.7	265,60,1	399	2.6	4.5	-	1,156	-	17.7	20	103.8	50/63
LP156CD3A	14,000	9.0	-	-	3.7	265,60,1	399	3.8	5.9	-	1,555	-	17.7	20	108.2	50/63
LP156CD5A	14,000	9.0	-	-	5.0	265,60,1	399	4.4	5.9	-	1,555	-	26.3	30	108.2	50/63
LP076HD2A	7,300	11.2	6,100	3.1	2.0	265,60,1	275	1.5	2.7	2.5	655	575	9.7	15	97.9	45/61
LP076HD3A	7,300	11.2	6,100	3.1	3.7	265,60,1	275	2.0	2.7	2.5	655	575	17.6	20	97.9	45/61
LP096HD3A	9,200	10.8	8,200	3.2	3.5	265,60,1	310	2.2	3.4	3.0	865	750	17.7	20	107.4	46/61
LP126HD3A	11,800	10.4	10,700	3.2	3.5	265,60,1	388	2.4	4.5	3.9	1,135	980	17.7	20	107.4	50/63
LP156HD3A	14,700	9.4	12,100	2.6	3.5	265,60,1	388	4.1	6.0	5.4	1,560	1,360	17.7	20	116.0	50/63
LP156HD5A	14,700	9.4	12,100	2.6	5.0	265,60,1	388	4.6	6.0	5.4	1,560	1,360	26.3	30	116.0	50/63

Accessories :

Wall Sleeve (42"W*16"H*13 3/4"D)	AYSVB01A	Built-in Control Cover Kit (10 pack)	AYRE110
Stamped Aluminum Grille	AYRGALA01	Wall Thermostat Connection Kit	AYWH101
Architecture Grille - Aluminum	AYAGALA01A	EMS/Front Desk Control Connection Kit	AYFD101
Architecture Grille - Dark Bronze	AYAGALB01A	Condensate Drain Kit	AYDR101
Architecture Grille - Soft Dove	AYAGALC01A	Hard Wire Kit	AYHW101
Sub Base 20A 265V	AYSB3101A	Replacement Filter (10 pack)	AYFT110
Sub Base 30A 265V	AYSB4101A	Control Panel Key Lock	AYCP101
Leveling Legs	AYLL101		
Lateral Duct Kit	AYLD1A		

Wall Thermostats :

Wired Wall Thermostat	PYRCUCA0A
Wireless Wall Thermostat	PYRUCC0A
Current Tap (for Wireless Wall Thermostat)	PYRUCC1A
Adapter Kit for Wireless Thermostat (for GE)	PYADTGE1A
Adapter Kit for Wireless Thermostat (for Amana)	PYADTAM1A

Note :