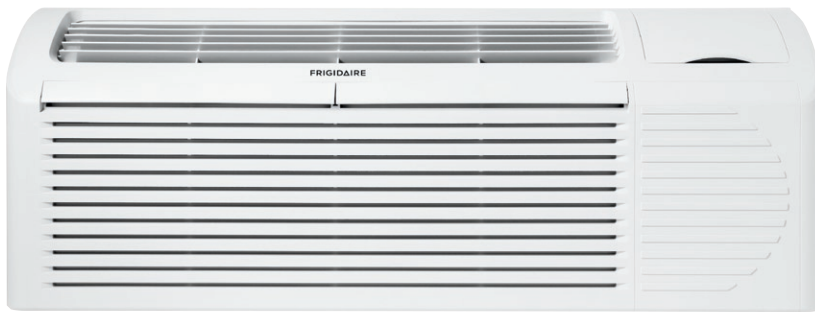




Packaged Terminal Air Conditioner (PTAC) FRP15ETT2A

**Air Conditioner/
Electric Heater**



Signature Features

SilentDesign™

Sound reduction package.

Effortless™ Maintenance

With Frigidaire's reputation for durability, easy maintenance, availability of reliable parts and service you can count on, you can be sure that you're getting the highest-quality performance.

Energy-Saver Option

This function effortlessly maximizes energy efficiency while keeping guests comfortable.

Effortless™ Protection

An optional corrosion-resistant fin coating extends operation life and your investment, plus it is easier to maintain in coastal environments.

Product Dimensions

Height	16"
Width	42"
Depth	13-13/16"

More Easy-To-Use Features

Effortless™ Temperature Control

Frigidaire® air conditioners maintain the preset room temperature so the room remains comfortable at all times and helps control energy levels.

Comfort Control Design

Simple controls allow guests to customize their settings, while quiet, uniform air movement keeps rooms comfortable.

Smart Self-Check

Provides nine diagnostic points for self-check and correction of fault conditions.

Eco-Friendly

Frigidaire® uses R-410A refrigerant that's not harmful to the earth's ozone layer and meets U.S. Environmental Protection Agency requirements.

Effortless™ Operation

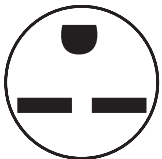
Simple, intuitive room controls are easy for guests to operate — ensuring a relaxing, more comfortable stay. Features like Effortless™ Restart and Ready-Select® controls reduce maintenance calls.

Performance	BTUs
Cool	15,000/14,600
Electric Heater	17,000/13,900

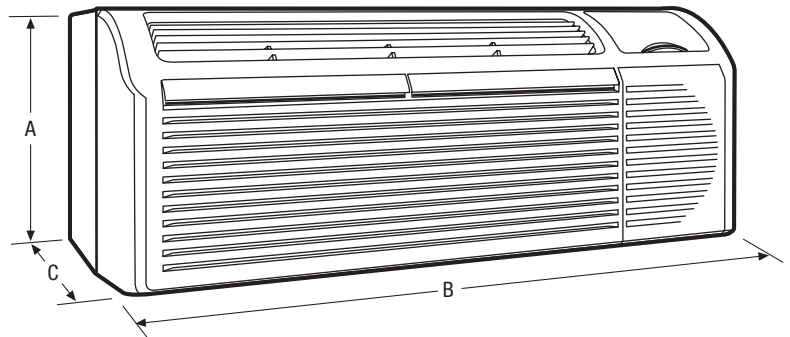
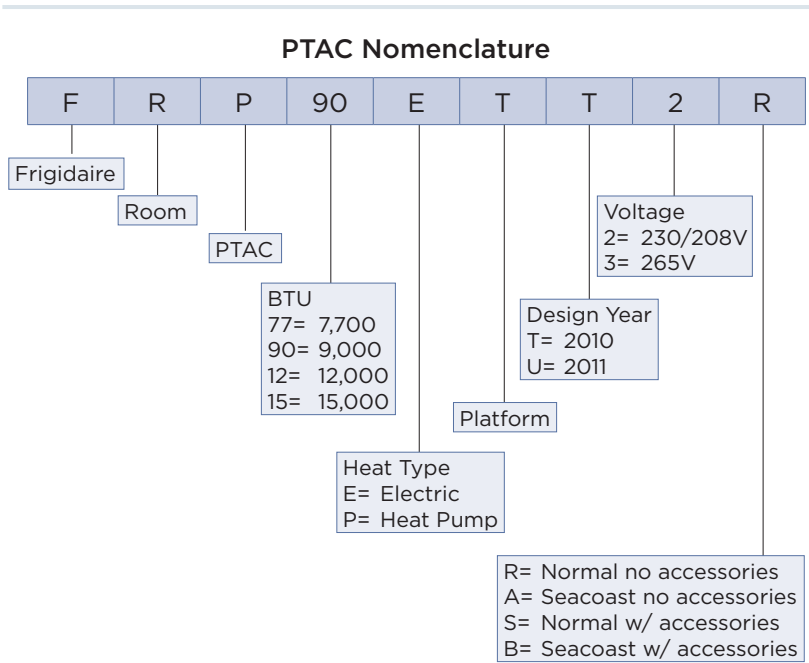


Performance	
BTU (Cool)	15,000/14,600
BTU (Electric Heater)	17,000/13,900
Dehumidification (Pints/Hour)	3.5
Cool Area (Sq. Ft.)	875
Energy Efficiency Ratio	9.7/9.8
Electrical	
Volts	230/208
Amps (Cool)	6.7/7.5
Amps (Electric Heater)	21.5/20.5
Watts (Cool)	1,530/1,510
Watts (Electric Heater)	5,000/4,087
Cable Included	Yes
Length of Power Cord	5.5'
Circuit Breaker	30A
Plug Type (NEMA)	LCDI (6-30P)
Features	
Electronic Controls	Ready-Select® Controls
Front Desk Control Ready	Yes
Fan Speeds (Cool/Fan/Heat)	3/3/3
Noise Level Indoors (High/Med/Low)	53/52/51
Quiet Start-Up	Yes
Low Voltage Start-Up	Yes
Random Restart Protection	Yes
Effortless™ Auto Freeze Protection	Yes
Energy Save	Yes
24-Hour On/Off Timer	Yes
Air CFM (High/Med/Low)	315/295/275
Air Direction Control	Auxiliary 2-Way
Air Intake	Fresh or Recycled
Filter Type	Nylon Mesh
Filter Access	Slide-Out
Fin Coating	Seacoast
Slide-Out Chassis	Yes
Commercial Grade Warranty ¹	Yes
Certifications	
Safety Certification	UL, CUL & CSA
Performance	AHRI & CEC
Specifications	
Refrigerant	R410a
Charge	38.10 oz.
Shipping Weight (Approx.)	141 Lbs.

¹Warranty 5 year sealed system/1 year full parts and labor.



Plug Type (NEMA)
6-30P



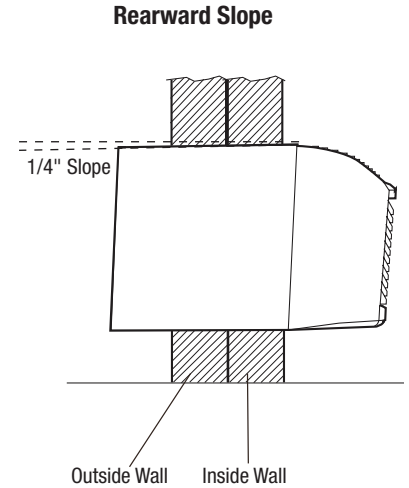
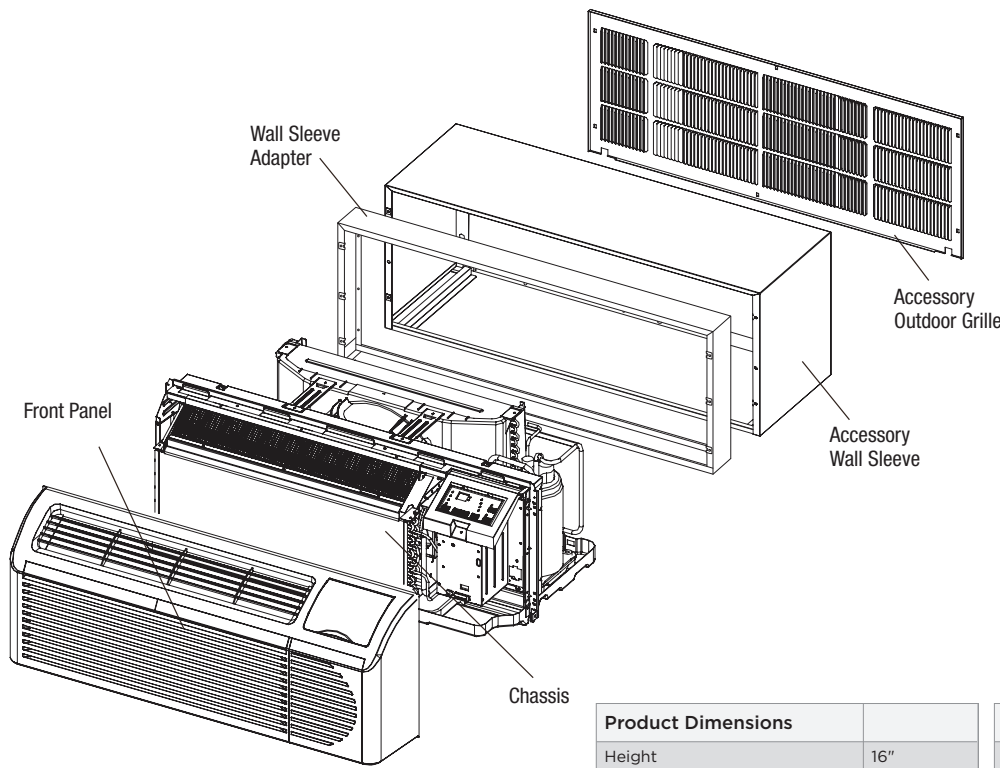
NOTE: For planning purposes only. Always consult local and national electric codes. Refer to Product Installation Guide for detailed installation instructions on the web at frigidaire.com.

Product Dimensions	
A - Height	16"
B - Width	42"
C - Depth	13-13/16"
Max. Wall Thickness	13-13/16" ²

Wall Cutout Dimensions	
Height	16-5/16"
Width	42-3/16"

²Unless the PTAC unit is installed with a wall sleeve.

Accessories information available on the web at frigidaire.com



Product Dimensions	
Height	16"
Width	42"
Depth	13-13/16"
Max. Wall Thickness	13-13/16"

Wall Cutout Dimensions	
Height	16-5/16"
Width	42-3/16"



Plug Type (NEMA) 6-30P

PTAC Specifications

- Product Shipping Weight (approx.) - 141 Lbs.
- An electrical supply with grounded three-prong receptacle is required. The power supply circuit must be installed in accordance with current edition of National Electrical Code (ANSI/NFPA 70) and local codes & ordinances.
- Voltage Rating - 230V/208V/60 Hz/30 Amps
- Amps @ 230/208V Volts = (Cool) 6.7/7.5 Amps/(Electric Heater) 21.5/20.5 Amps
- Always consult local and national electric codes.
- Recommended Circuit Breaker - 30 Amps
- Unit equipped with 230/208V 3-wire power supply cord, NEMA plug type 6-30P, approximately 66" long.
- In order for condensate water to drain properly inside the unit, the sleeve must be installed properly: Level from right to left with a slight 1/4" rearward pitch from the indoor side to the outdoor side as shown in the illustration above. Refer to the Installation Instructions on the web.
- The drain kit listed on the Frigidaire® PTAC Accessories page can be used for an internal or external drain. This applies to new and replacement installation.

New Installation

- For new installation, Frigidaire® PTAC Sleeves are available and recommended for proper installation. See accessories pages for sleeve options.*
- Standard PTAC installation requires 13-13/16" maximum wall thickness, unless a wall sleeve is used.
- If the PTAC unit protrudes more than 4", then it is suggested that it be installed with a subbase. See accessories pages for subbase options.

Replacement Installation

- When replacing existing PTAC with new unit, refer to Product Installation Guide on web to identify existing wall-sleeve manufacturer and size compatibility. If proper installation and slope are suspect, then correct installation of Frigidaire® PTAC Sleeve options recommended.
- For any sleeve retrofit application, be sure that the foam seals (factory-installed on the tube sheets) provide a good seal between the grille and the outdoor coil tube sheets. These foam seals provide a barrier that stops air from the inside mixing with air on the outside (known as air recirculation).
- Using Frigidaire® wall sleeve with Non-Frigidaire grille requires installation of an Accessory Baffle Kit, which ensures a good seal between the unit and exterior grille to prevent air recirculation. Air recirculation is a large contributor to performance loss and premature damage to major components.

Note: For planning purposes only. Refer to Product Installation Guide on the web at frigidaire.com for detailed instructions.

**See Frigidaire® PTAC accessories pages attached for optional accessories.*

FRIGIDAIRE

USA • 10200 David Taylor Drive • Charlotte, NC 28262 • 1-866-942-1567 • frigidaire.com
 CANADA • 5855 Terry Fox Way • Mississauga, ON L5V 3E4 • 1-866-942-1567 • frigidaire.ca



Packaged Terminal Air Conditioner (PTAC)

ACCESSORIES

FRIGIDAIRE®

Metal Wall Sleeves and Accessories

The electro-galvanized steel used to make this metal sleeve resists corrosion. The white powder coating matches the color of the Frigidaire® PTAC. Sliding keyhole grille attachments at the back enable easy, one-person installation from the inside.

5304482701 — Steel Wall Sleeve, Insulated

This extended width wall sleeve is fully insulated and made of galvanized steel. It is welded and protected with baked-on enamel. Welded areas are protected with a sealing compound to prevent rust.

5304483759 — Metal Wall Sleeve Extension, Insulated, 16"

5308815304 — Metal Wall Sleeve Extension, Insulated, 18"

5308815305 — Metal Wall Sleeve Extension, Insulated, 24"

5304483760 — Metal Wall Sleeve 3" Adapter



Aluminum Grilles

The extruded aluminum outdoor grille will enhance the appearance of any building. The grilles are made of a durable, anodized aluminum that resists weather. Installs easily onto the Frigidaire® metal wall sleeve, thanks to the sliding keyhole attachment.

5304480558 — Architectural Aluminum Outdoor Grille, Clear

5308815313 — Architectural Aluminum Outdoor Grille, Dark Brown

530448055X — Architectural Aluminum Outdoor Grille, Customized Color

5304480557 — Stamped Aluminum Outdoor Grille, Clear

5304484585 — Baffle Kit



Polymer Wall Sleeves

The universal polymer wall sleeve utilizes fiberglass reinforced polyester compound to produce a durable, non-corrosive, wall case that provides superior sound absorption, reduces heat loss, and prevents sleeve sweating.

5308815302 — Polymer Wall Sleeve, Insulated

5308815301 — Polymer Wall Sleeve, Non-Insulated

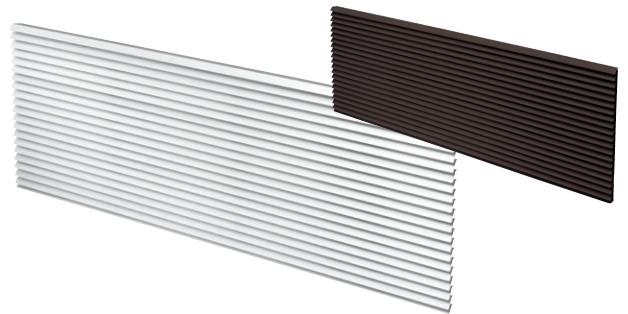


Polymer Grilles

The polymeric architectural outdoor grille blends with most building exteriors. Its durable design offers protection, has an enhanced appearance and provides superior weather resistance.

5308815310 — Polymer Architectural Outdoor Grille, Brown

5308815312 — Polymer Architectural Outdoor Grille, Alpine



Universal Drain Kit

The condensate drain kit is used to control condensate water from the packaged terminal unit. This universal drain kit can be used for exterior or interior drain systems.

5304480570 — Condensation Universal Drain Kit, 1 Pack



Packaged Terminal Air Conditioner (PTAC)

ACCESSORIES

FRIGIDAIRE

Air Filters

In order to ensure a healthy room environment the air filters should be changed periodically. By changing the air filters, airflow, temperature control and energy efficiency is maintained.

5304482892 — Air Filters, 10 Pack



Decorative Subbases & Supports

The non-electrical subbase is made of heavy gauge steel to provide support for the wall sleeve. The subbase is designed to mount directly to the wall sleeve. Leveling legs attach easily to the wall sleeve and offer accurate leveling and support for units.

5308815315 — Decorative Subbase, Black

5304480575 — Leveling Legs



Wireless Wall Thermostats

The wireless Effortless™ Temperature Control wall thermostat allows control without having to worry about wiring. Easy to install and easy to use. Large intuitive LCD screen improves the user interaction.

5304482699 — Wireless Digital Thermostat, Non-Programmable

5304482XXX — Antenna for Wireless Wall Thermostat



Electrical Subbases

The electrical subbase provides the same features as the non-electrical subbase, plus a factory-installed electrical junction box containing a receptacle for corded packaged terminal air conditioner units.

5304482886 — Electrical Subbase-230V-15A, Black

5304482887 — Electrical Subbase-230V-20A, Black

5304482888 — Electrical Subbase-230V-30A, Black

5304482889 — Electrical Subbase-265V-15A, Black

5304482890 — Electrical Subbase-265V-20A, Black

5304482891 — Electrical Subbase-265V-30A, Black

5304482698 — Subbase Disconnect Switch, 265V



Hardwire Kits

Hardwire kits allow your PTAC to be permanently connected to a power source. The kit includes a 36" metal conduit and connector.

5304482696 — Hardwire Kit, 20 Amps

5304482697 — Hardwire Kit, 30 Amps



Wired Digital Wall Thermostats

With the Effortless™ Temperature Control wired wall thermostat, comfort and precision is in your hands. Programmable or non-programmable, this thermostat offers autochangeover, 2-stage heating and cooling, as well as emergency heating mode (for Heat Pump).

5304482700 — Wired Digital Wall Thermostat, Programmable

5304483050 — Wired Digital Wall Thermostat, Non-Programmable

5304484139 — Transfer Cable (For Quick Programming of Wired Thermostats)

