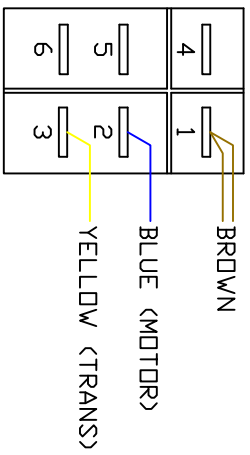
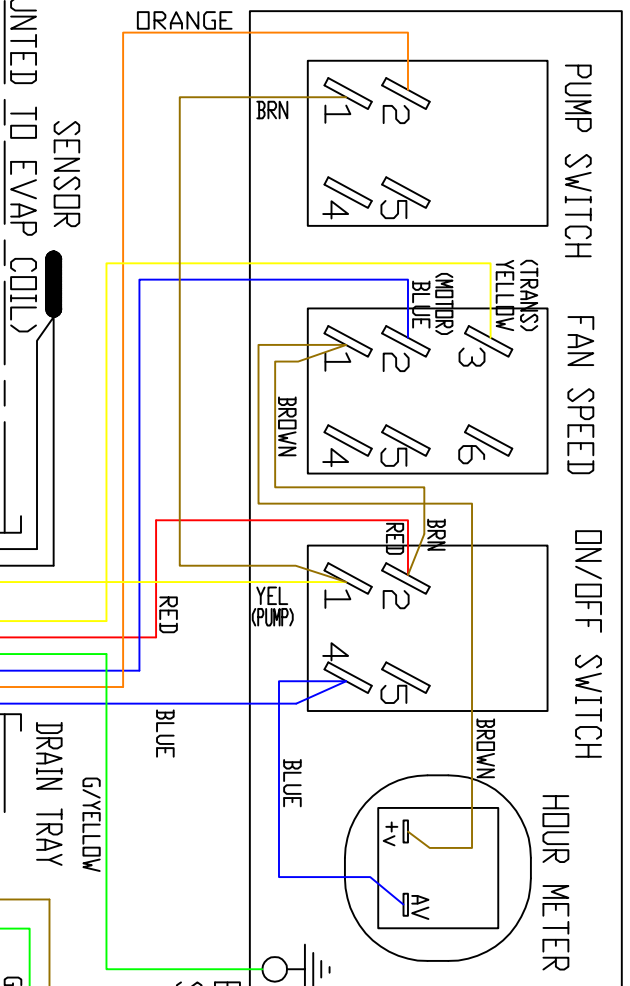


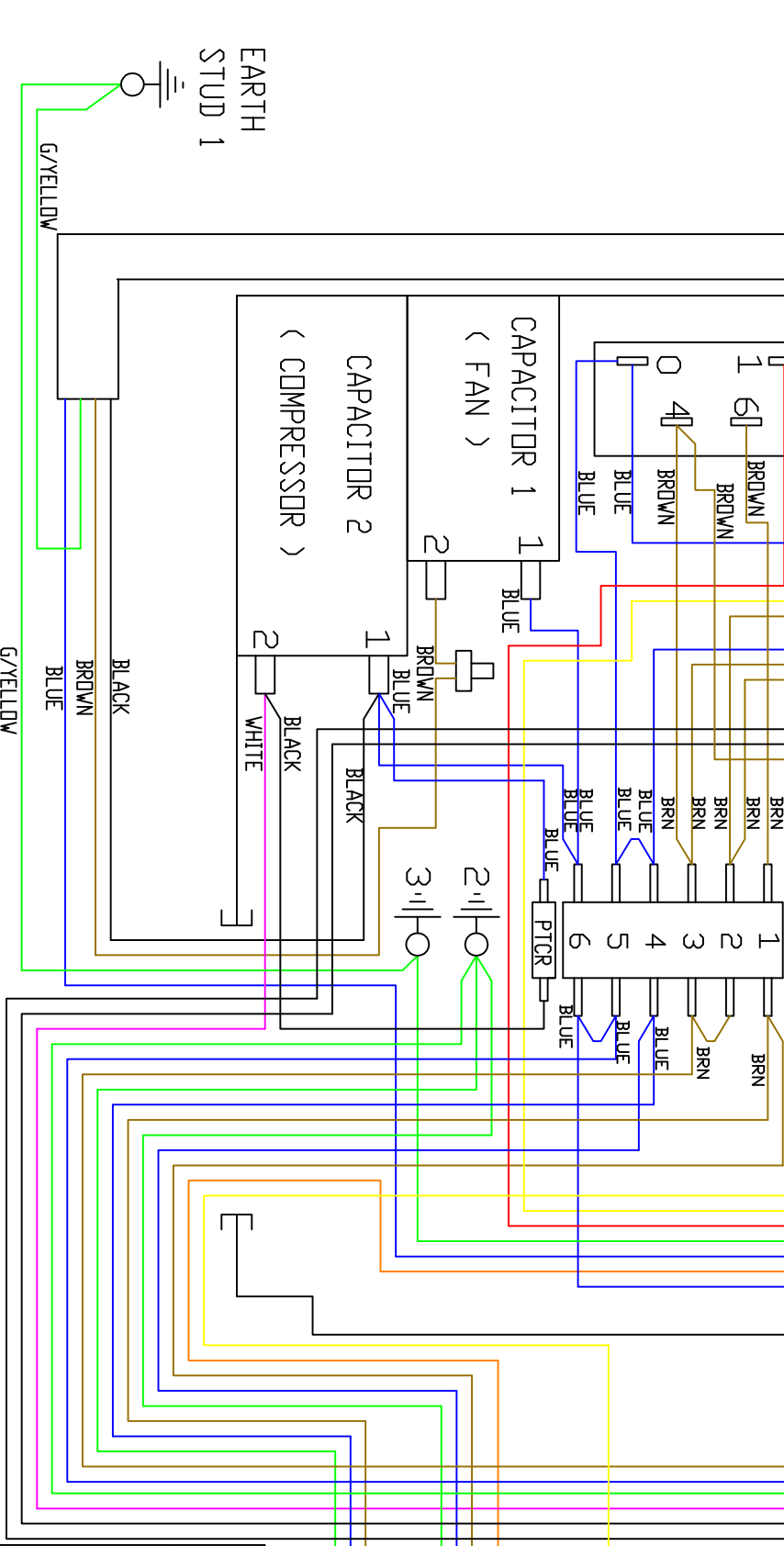
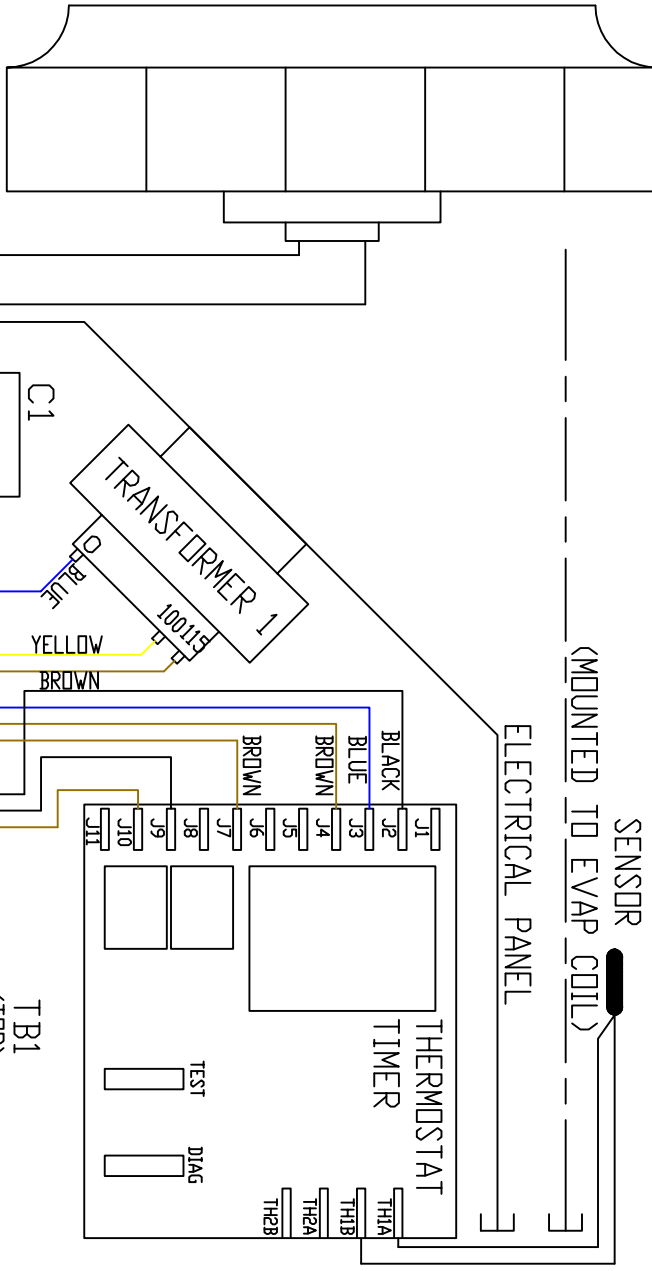
ALTERNITIVE FAN SPEED SWITCH WIRING



VIEWED FROM THE WIRING SIDE CONTROL PANEL

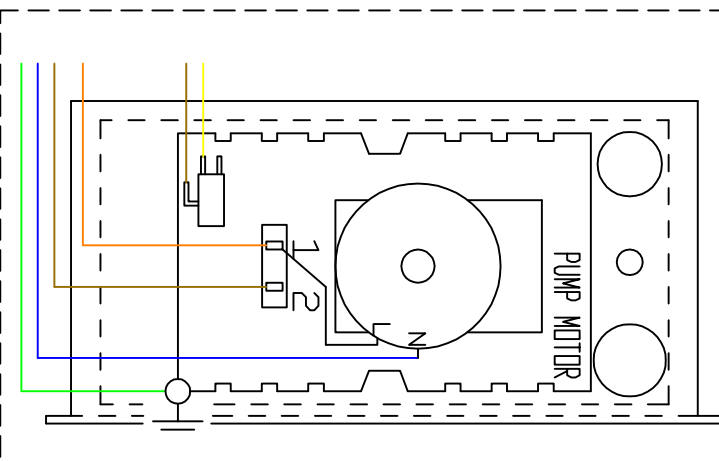


ELECTRICAL PANEL

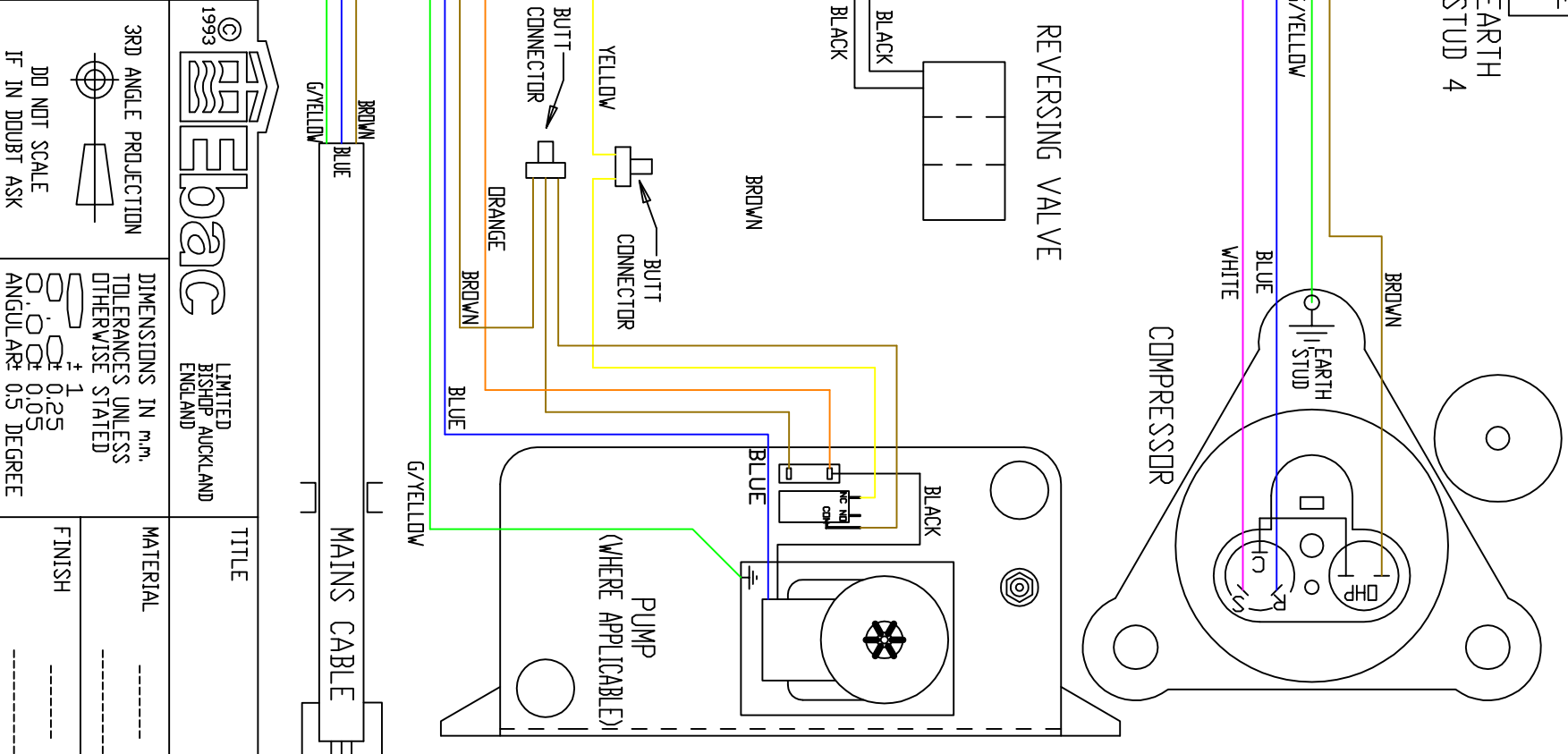


NOTES
 WIRING HARNESS MUST HAVE A LOOP AT THE TOP AND BOTTOM ENTRY THROUGH THE ELECTRICAL PANEL. THIS IS TO ALLOW THE ELECTRICAL PANEL TO BE WITHDRAWN AND PLACED TO THE RIGHT HAND SIDE WITHOUT REMOVING ANY WIRES.

ALTERNITIVE PUMP



NOTE
 BLUE WIRE TO - SILVER SCREW
 G/YEL WIRE TO - GREEN SCREW
 BROWN WIRE TO - BRONZE SCREW



Reboac LIMITED BISHOP AUCKLAND ENGLAND 1993

3RD ANGLE PROJECTION
 DO NOT SCALE
 IF IN DOUBT ASK

DIMENSIONS IN mm.
 TOLERANCES UNLESS OTHERWISE STATED
 0.04 ± 0.05
 ANGULAR: 0.5 DEGREE

TITLE
 WIRING DIAGRAM
 DR10N - USA 115V 60HZ

MATERIAL
 FINISH

DRAWN : JG LAVERICK
CAD SCALE : 1/1
DRG.ND.
 5010266

SHEET
 1 OF 1

ISSUE	DATE	AMENDMENTS
3	16/10/98	PTCR ADDED - MTD
4	5/7/99	GFI PLUG ADDED - MTD
5	10/10/01	CHANGED COLOURS - WDA
6	5/11/03	SPLICE CHANGED TO BUTT CONNECTOR/COLOURS UPDATED - WDA
7	05/07/05	COMPRESSOR CAPACITOR WIRE COLOURS UPDATED - WDA
8	02/05/08	PUMP NEUTRAL BUTT CONNECTOR REMOVED ALTERNATIVE SWITCH WIRING ADDED - WDA
9	09/03/12	PUMP VIEW UPDATED TO CURRENT PUMP - WDA
10	01/06/12	PIPEWORK EARTH CHANGED TO COMPRESSOR EARTH - WDA