

Split System Submittal Data

System: **36PET1U6** Indoor: **S-36PT1U6** Outdoor: **U-36PE1U6**
 Single Split System - Ceiling-Suspended Heat Pumps

Job Name: _____
 Location: _____
 Engineer: _____
 Submitted to: _____
 Submitted by: _____
 Reference: _____

Approval: _____
 Date: _____
 Construction: _____
 Unit#: _____
 Drawing#: _____

General Data	
Power (V/P/Hz)	230/208/1/60
Circuit Ampacity (A)	15-35 Indoor-Outdoor
Fuse Size, Max.(A)	15-35 Indoor-Outdoor
Compressor	
DC Rotary Inverter	
No. Used	1
R.L. Amps - L.R. (A)	16.4 - 17.5
Outdoor Unit	
Fan type	Propeller
Dia & Length (in.) - No. used	18-7/64-1
Type Drive - No. Speeds	DC Motor
No. Poles (RPM)	8 - 830
No. Motors (W)	1 - 90
CFM (High)	1942
F.L. Amps (A)	17.3
Coil Type	
Aluminum Fin & Copper Pipe	
Fin Type - Pipe Type	Slit Plate - Inner Rifled
Rows - F.P.I.	2 - 14.1
Face Area (sq.ft.)	7.26
Tube Size (in)	3/8"
Indoor Unit	
Fan type	Centrifugal
Dia & Length (in.) - No. used	5-29/32-4
No. Speeds	3 & Auto
No. Poles (RPM, High)	4 - 1040
No. Motors (W)	1 - 100
CFM (Hi/Med/Lo)	1100/930/750
Indoor Sound Rating (Hi) (dB-A)	42
F.L. Amps (A)	0.8
Coil Type	
Aluminum Plate Fin & Copper Tube	
Fin Type - Pipe Type	Slit Plate - Inner Rifled
Rows - F.P.I.	3 - 14.9
Face Area (sq.ft.)	3.51
Tube Size (in)	9/32"
Drain Connection Size (in.)	1-3/128"



Refrigerant	R410A
Lbs. - R410a	6.17
Control	Electric Expansion Valve
Connection	Flare
Line Length, Max (ft.)	165
Line Difference, Max (ft.)	50 (outdoor lower), 100 (outdoor higher)
Line Size (in. O.D. Discharge)	3/8"
Line Size (in. O.D. Suction)	5/8"
Dimensions (HxWxD)	
Indoor Unit (Crated) (in.)	12-15/32 x 66-1/16 x 31-1/16
Indoor Unit (Uncrated) (in.)	9-7/16 x 62-1/32 x 26-3/8
Outdoor Unit (Crated) (in.)	34-31/32 x 39-31/32 x 16-3/32
Outdoor Unit (Uncrated) (in.)	30-23/32 x 37 x 13-3/8
Weight (lbs.)	
(Indoor) Net	84
(Indoor) Shipping	97
(Outdoor) Net	143
(Outdoor) Shipping	161
(Indoor) Shipping Volume (cu.ft.)	14.8
(Outdoor) Shipping Volume (cu.ft.)	13

Performance Data @ ARI Standard Conditions (230/208V)

Cooling	
Total Capacity (BTU/H)	31,200 (9,500 - 31,200)
Sensible Capacity (BTU/H)	19,800
Latent Capacity (BTU/H)	11,400
SEER	15.1
Dehumidification (Pints/H)	10.0
Amps (A)	18.2/20.1
Power Inputs (W)	3,840/3,840
Outdoor Sound Rating (dB-A) High	52
Heating	
Total Capacity (BTU/H)	37,400 (8,000 - 37,400)
HSPF	9.6
Amps (A)	15.6/17.3
Max Amps (A)	15.6/17.3
Power Inputs (W)	3,250/3,250
Back-up Strip Heater (KW)	N/A
Outdoor Sound Rating (dB-A) High	52

Features

Controls	Microprocessor
Remote Controller	(Wired Remote Included) (Wireless Remote Optional)
Temperature Control	IC Thermostat
Timer	72 Hr. On/Off
Night Setback	N/A
Air Louver, Horizontal	Manual
Air Louver, Vertical	Automatic
Power Failure Automatic Changeover	Built-In
Heating/Cooling Automatic Changeover	Built-In
Self-Diagnosis	Built-In
Air Filter	Washable, Anti-Mold

Option

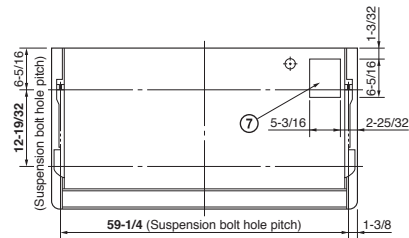
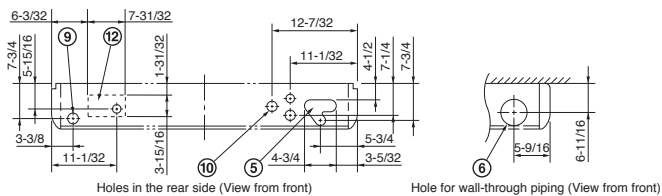
Refrigerant Line Set	Available
Fresh Air Intake	Knock-out
Air duct Extension	N/A
Indoor Frame Extension	N/A
Condensate Drain Pump	Optional Accessory
Non-Removeable Locking Remo-con Bracket	Available

Operating Range

Operating Range	Indoor Air Intake Temp	Outdoor Air Intake Temp
Cooling (Max)	95F DB/71F WB	115F DB
Cooling (Min)	67 DB/57F WB	0F DB
Heating (Max)	80F DB/67F WB	75F DB/65F WB
Heating (Min)	-DB/-WB	5F DB



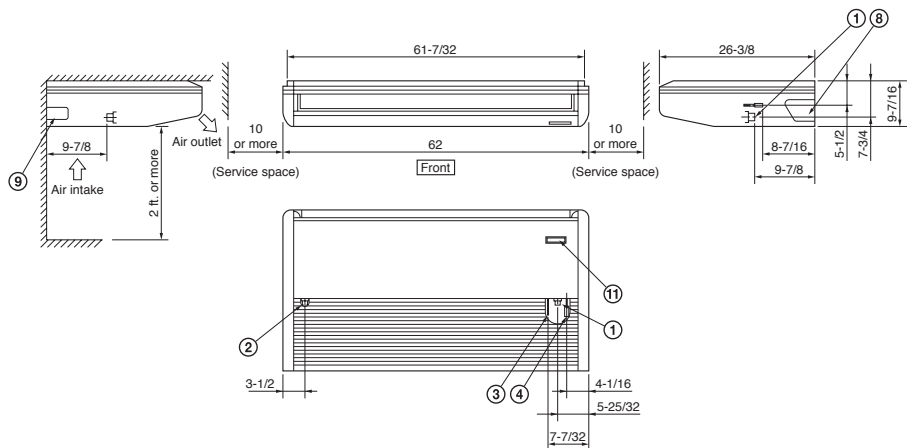
Indoor Dimensions



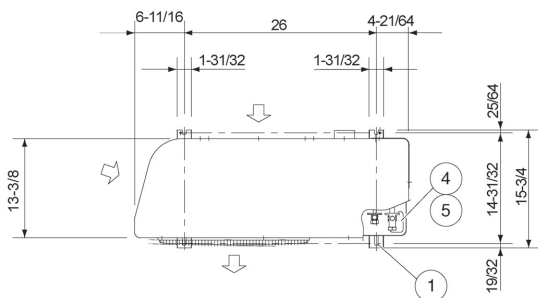
Dimension : inch

- ① Drain connection
- ② Drain connection for left side
- ③ Refrigerant liquid line (3/8") Flare connection
- ④ Refrigerant gas line (5/8") Flare connection
- ⑤ Hole for rear side refrigerant tubing
- ⑥ Hole for through-the-wall refrigerant tubing (ø3-15/16" hole)
- ⑦ Hole for fresh air intake (Knockout hole)
- ⑧ Hole for right side refrigerant tubing (Knockout hole)
- ⑨ Hole for left side drain connection (Knockout hole)
- ⑩ Hole for power supply (Conduit size 1/2")
- ⑪ Infrared rays receiver for wireless remote controller
- ⑫ Cutting position for fresh air intake

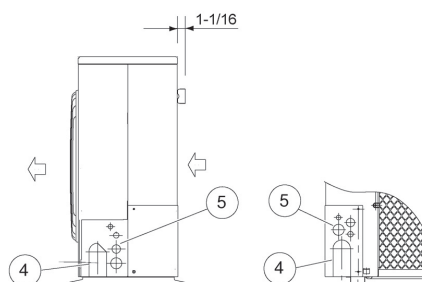
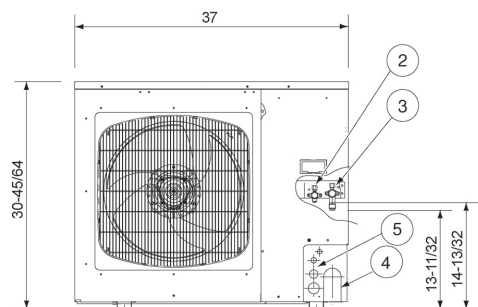
1920_TS_1



Outdoor Dimensions



- | | |
|---|---|
| ① | Hole for anchor bolt (4-R6.5) / Anchor bolt: M10 |
| ② | Refrigerant tube joint (liquid line tube) • Flare connection 3/8 in (9.52 mm) |
| ③ | Refrigerant tube joint (gas line tube) • Flare connection 5/8 in (15.88 mm) |
| ④ | Refrigerant tubing inlet (knock-out hole) |
| ⑤ | Power supply inlet (knock-out hole ø38, ø29, ø19, ø16 mm) |



Dimension : inch

