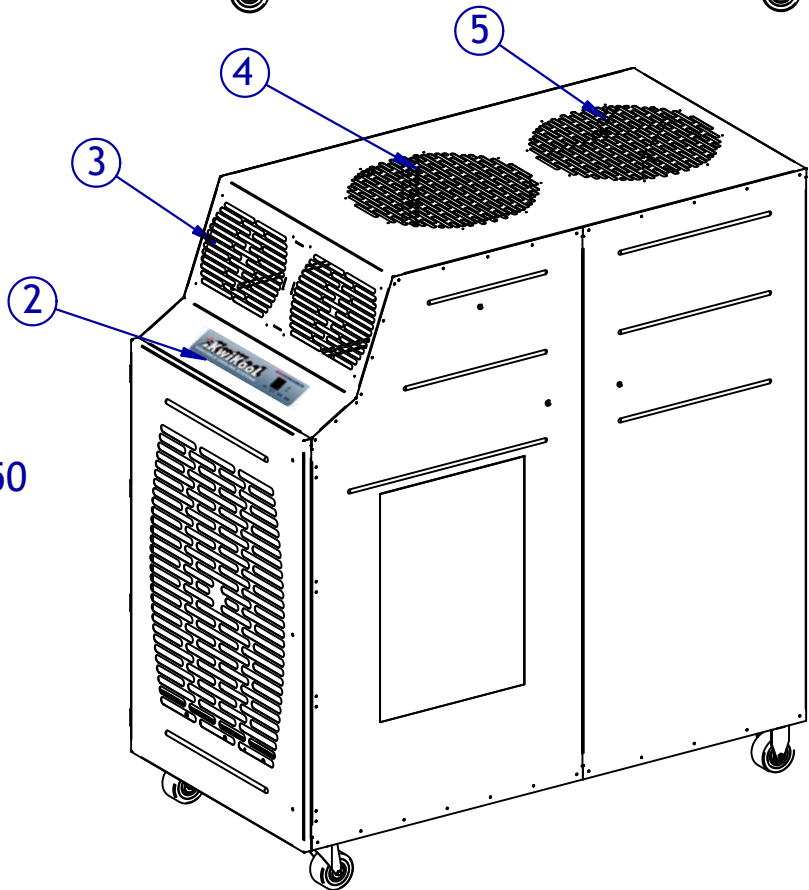
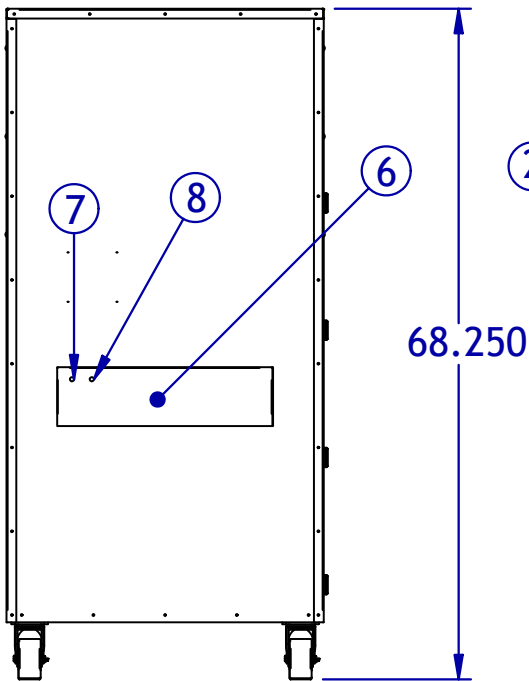
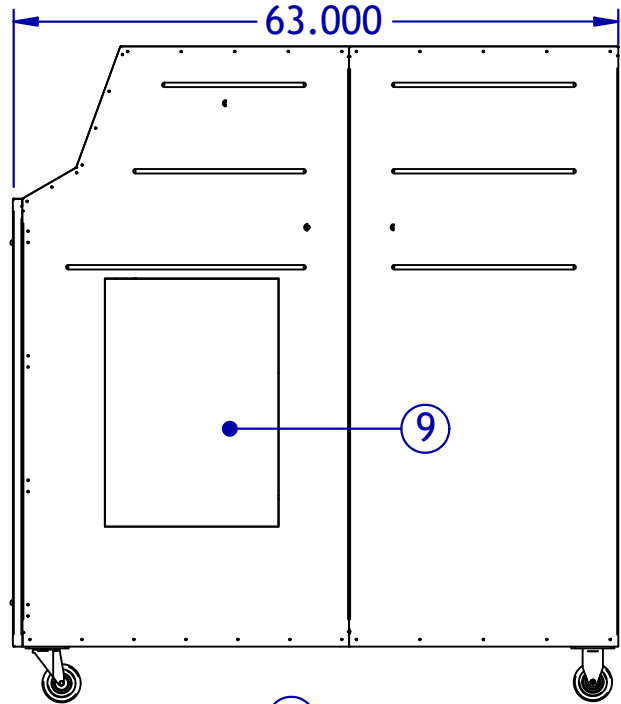
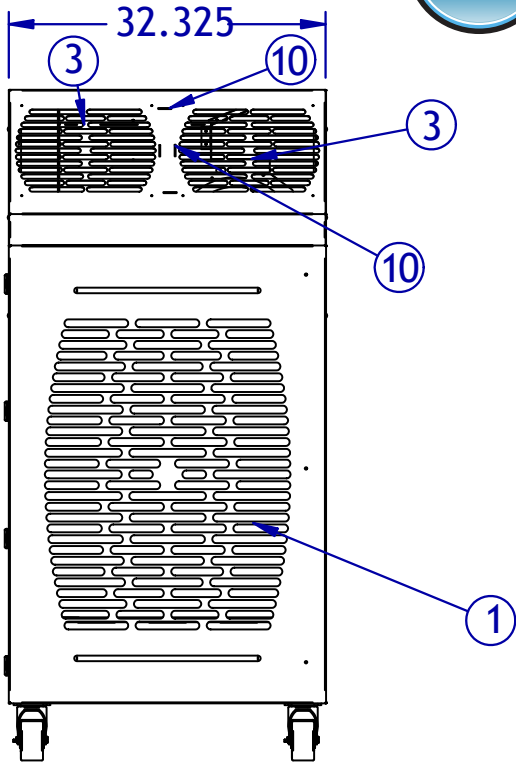




SPECIFICATIONS

KIB 12043

COOLING CAPACITY	BTU/hr @ 95F at 60% RH	120,000 (10-Ton)
COMPRESSOR DATA	Compressor Type	Scroll
	Operating Temperatures	60-110 F 50%RH
	Refrigerant	407C
FAN DATA Evaporator	Fan Type (Centrifugal)	Direct Drive
	Air Flow (CFM) 1stage/2stage	1800/3800
	Supply Air Device	Adjustable Vent
	Supply Air Chute Kit (optional)	2 - 12" Dia. x 30" Length
Condenser	I/O Integral Condenser	Balanced Air Flow
	Fan Type (Centrifugal)	Direct Drive
	Air Flow (CFM)	5000
	Condenser Duct Specs (optional)	2 - 20" Dia. x 8' Length
	Condenser Duct Max. Length	85'
	Speed Control	Variable Frequency Drive
ELECTRICAL DATA	Power Supply (Volts)	460 Three Phase
	Current Consumption (Amps)	27.4
	Power Consumption (KWatts)	21.8
	Maximum Circuit Breaker (Amps)	50
	Minimum Circuit Ampacity(Amps)	34.1
	Min./Max. Voltage	420-500
	Power Cord Gauge/Length	8 AWG/10'
	Plug Configuration	Field Supplied
DIMENSIONAL DATA	Width x Depth x Height (Inches)	32.325" x 63" x 68.25"
	Weight (Lbs.)	1000
	Shipping Weight (Lbs.)	1100
	Ceiling Kit Weight (Lbs.)	56
	Shipping Weight w/ Ceiling Kit	1156
SAFETY DEVICE DATA	Compressor Overload	Internal
	Fan Motor Overload	Automatic Internal
	Evaporator Freeze Protection	Hot Gas Bypass
	High Pressure Switch	Manual
	Low Pressure Switch	Automatic
	Compressor Short Cycle	Yes
	Automatic Restart	Yes
	Thermostat Type	Microprocessor/Digital
	Condensate Pump Overflow	Yes
	Condensate Tank Overflow	Yes



KIB12043

LEGEND

- | | |
|-------------------------|--------------------------|
| 1. Cold Air Return | 6. Cord Storage |
| 2. Control Pad | 7. Condensate Nipple |
| 3. Cold Air Supply | 8. Condensate Alarm Jack |
| 4. Condenser Air Inlet | 9. Access Door |
| 5. Condenser Air Outlet | 10. Vent Control |



ETL LISTED CONFORMS TO ANSI/UL1995
CERTIFIED TO CAN/CSA 22.2 NO 235