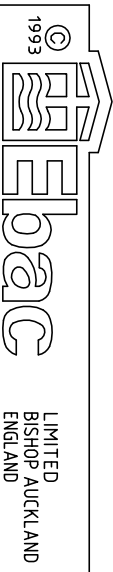
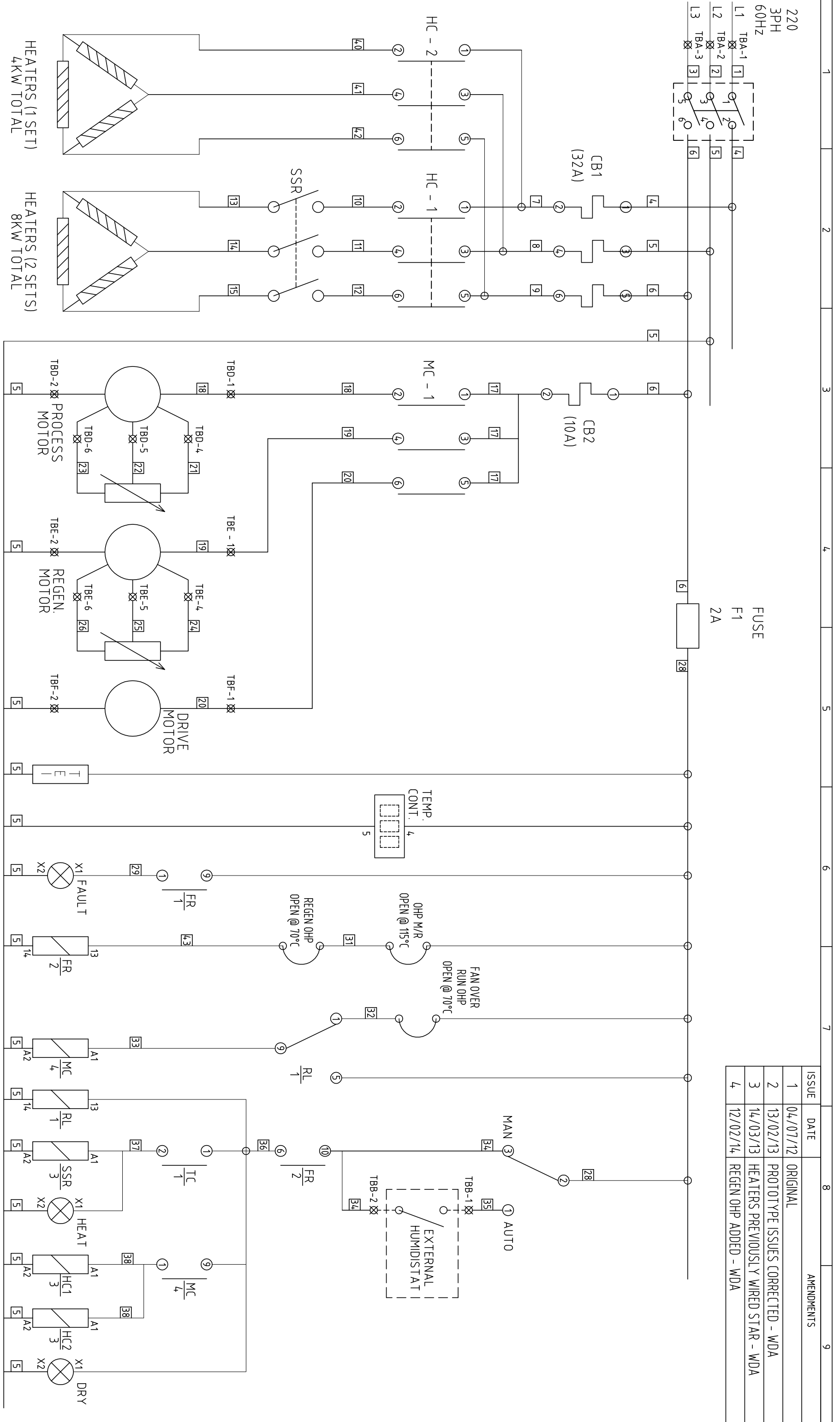


ISSUE	DATE	AMENDMENTS
1	04/07/12	ORIGINAL
2	13/02/13	PROTOTYPE ISSUES CORRECTED - WDA
3	14/03/13	HEATERS PREVIOUSLY WIRED STAR - WDA
4	12/02/14	REGEN OHP ADDED - WDA



TITLE  
DD1200 - 220V/60HZ 3PH - WIRING SCHEMATIC

3RD ANGLE PROJECTION  
DO NOT SCALE  
IF IN DOUBT ASK

DIMENSIONS IN m.m.  
TOLERANCES UNLESS OTHERWISE STATED  
± 1  
± 0.25  
± 0.05  
ANGULAR ± 0.5 DEGREE

MATERIAL  
N/A

FINISH  
N/A

DRAWN : W DAGLISH  
CAD SCALE : N/A

DRG.NO. 5020330

SHEET 1 OF 1