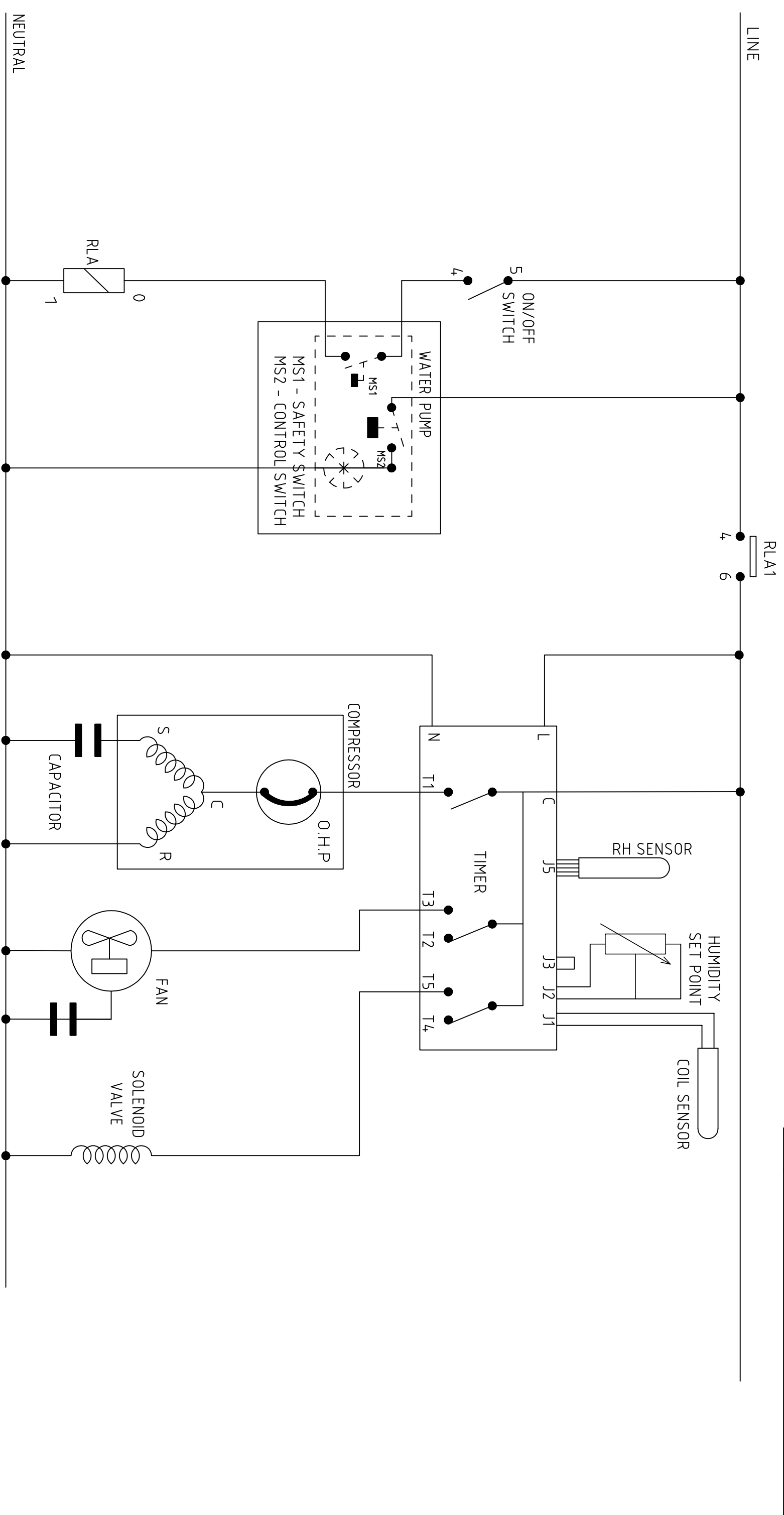


ISSUE	DATE	AMENDMENTS
1	26/11/15	ORIGINAL
2	05/01/16	PCB LAYOUT CORRECTED - WDA
3	06/06/16	DEFROST / FAN CORRECTED - WDA



TITLE
CS90E (US) - WIRING SCHEMATIC

3RD ANGLE PROJECTION
DO NOT SCALE
IF IN DOUBT ASK

DIMENSIONS IN m.m.
TOLERANCES UNLESS OTHERWISE STATED

0	± 1
0.0	± 0.25
0.00	± 0.05
ANGULAR	± 0.5 DEGREE

MATERIAL

FINISH

DRAWN : W DAGLISH

CAD SCALE : N/A

DRG.NO. 50204.07

SHEET 1 OF 1