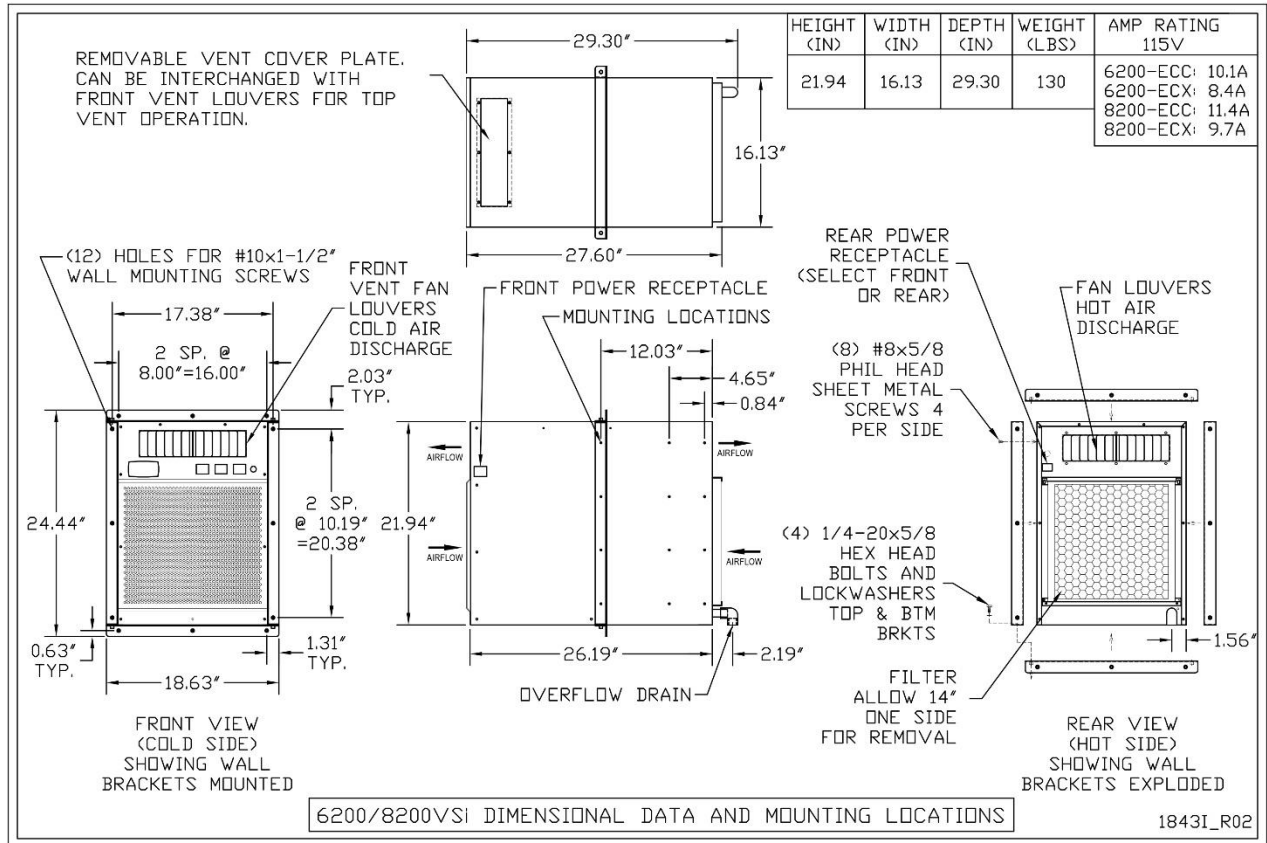
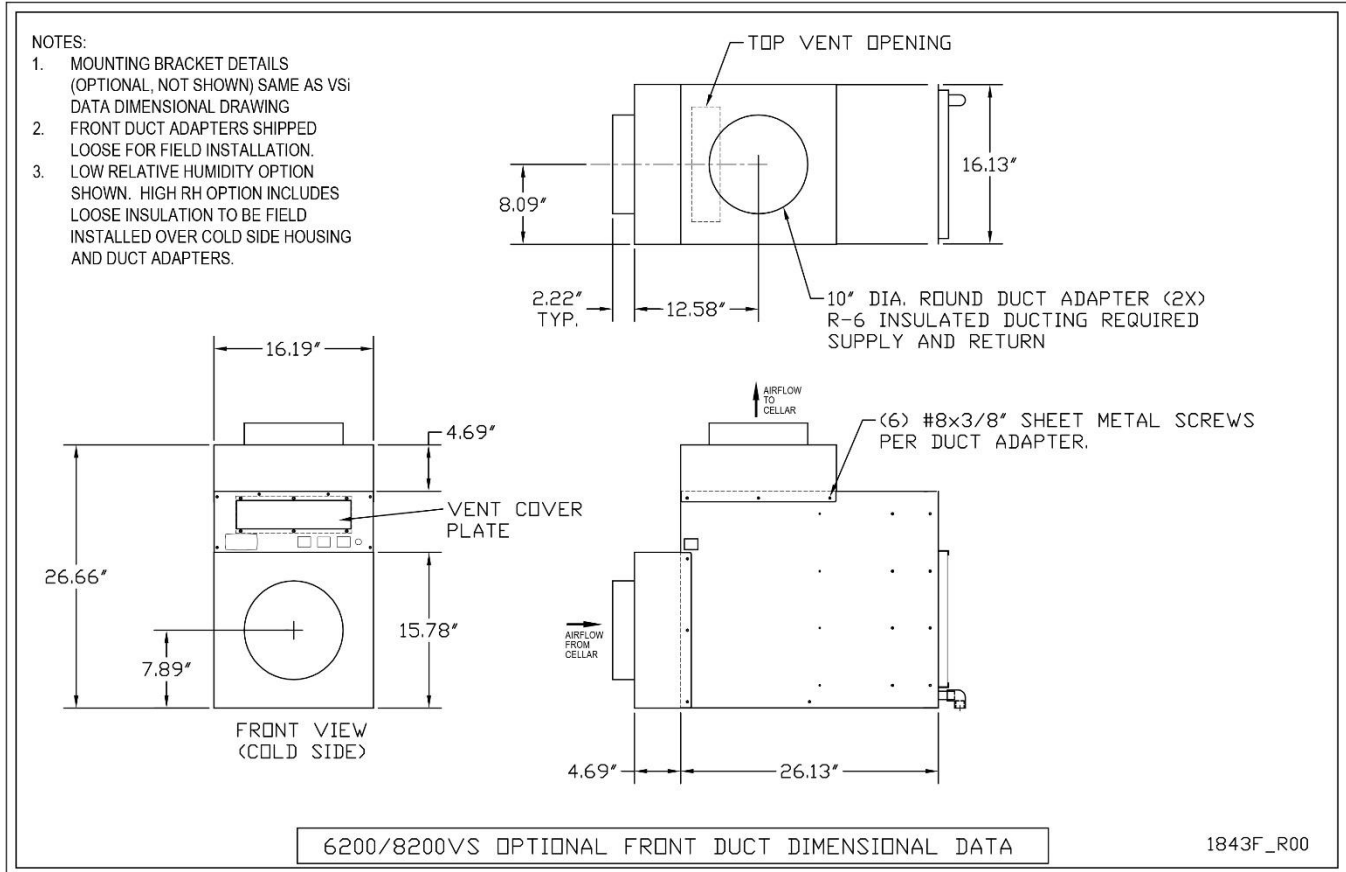


## Dimensional Data



## Front Ducted



## Rear Ducted

