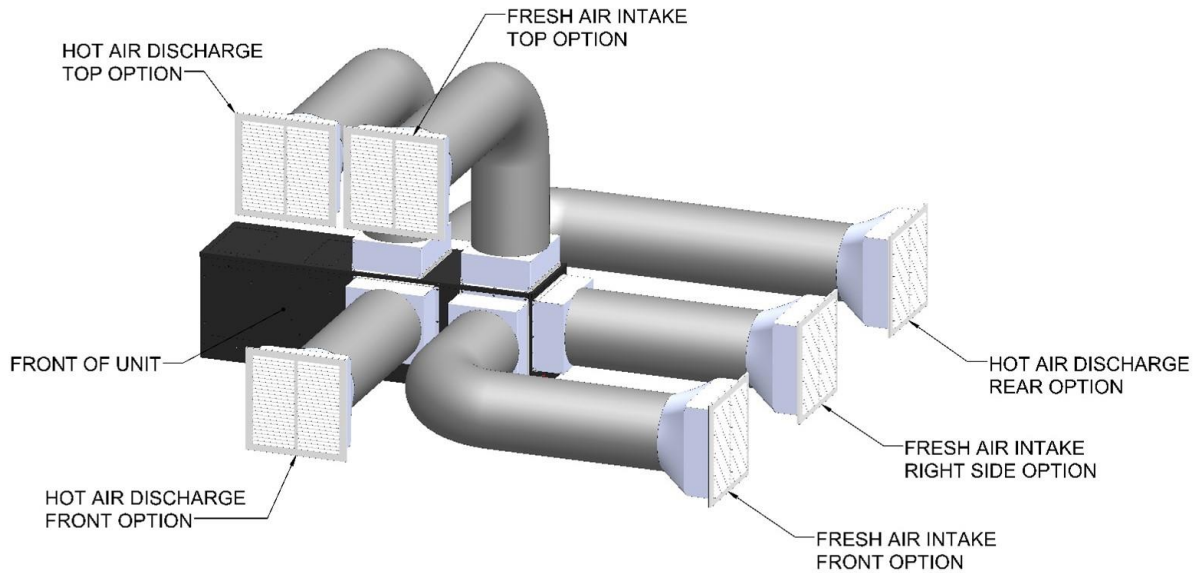
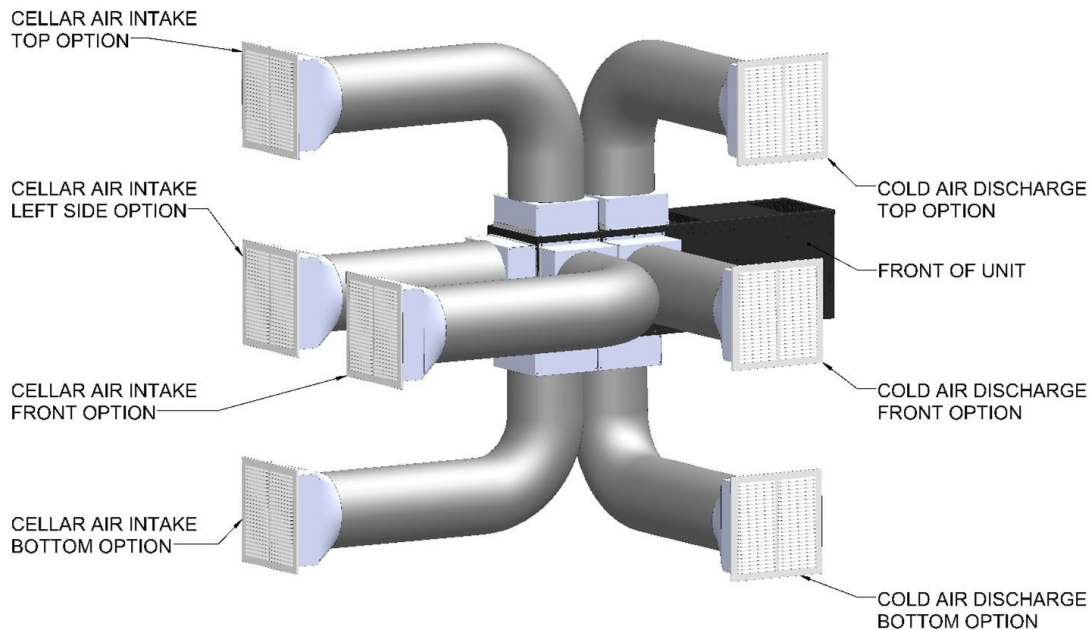


**3400H AS DUCTED**



## 3400H HOT SIDE DUCTING OPTIONS

CHOOSE ONE (1) INTAKE OPTION AND ONE (1) DISCHARGE OPTION



## 3400H COLD SIDE DUCTING OPTIONS

CHOOSE ONE (1) INTAKE OPTION AND ONE (1) DISCHARGE OPTION  
COLD SIDE DUCTING MUST BE INSULATED WITH R-VALUE 6 OR GREATER