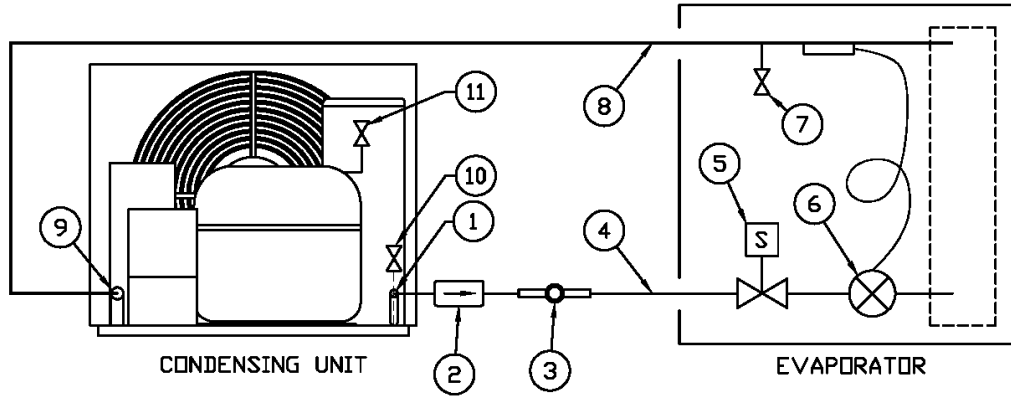
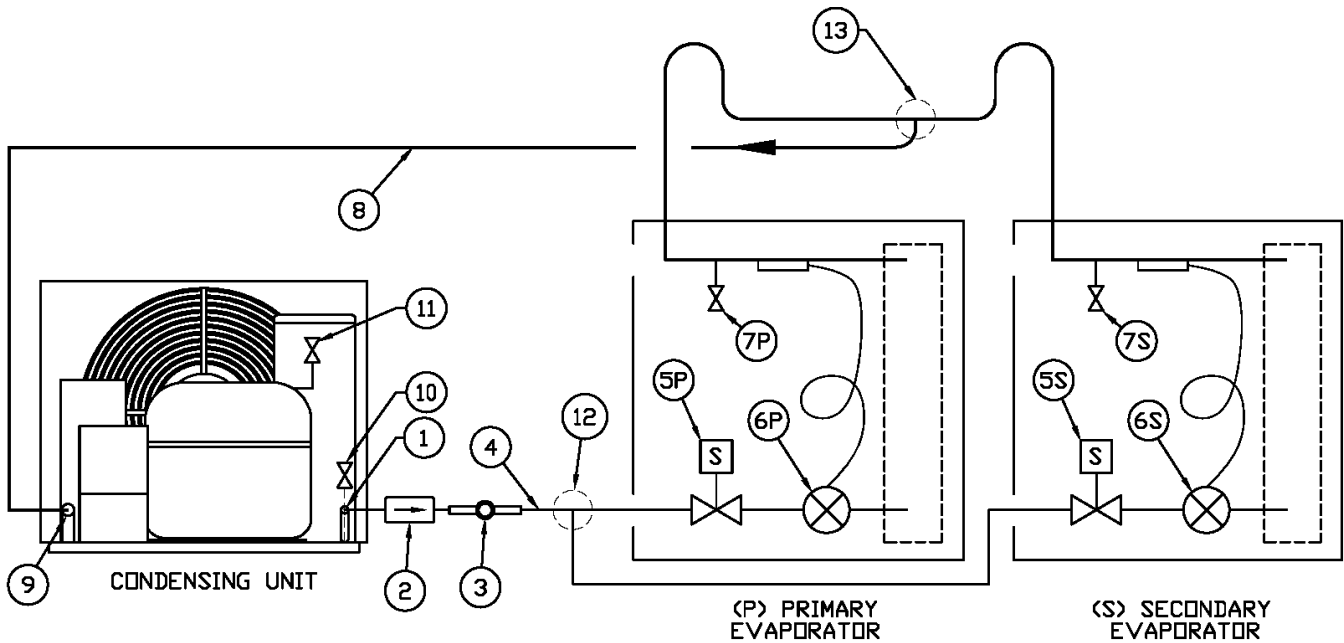


Refrigerant Piping Diagram

3000Scm/Scmr-EC 4000Scm/Scmr-EC
 6000Scm/Scmr-EC 8000Scm/Scmr-EC



3000-4000Scm/Scmr-EC Piping Schematic



6000-8000Scm/Scmr-EC Piping Schematic

1477D_R00

Refrigerant Piping Diagram

3000Scm/Scmr-EC 4000Scm/Scmr-EC
6000Scm/Scmr-EC 8000Scm/Scmr-EC

1. Liquid connection location.
2. Hermetic liquid line filter drier (shipped loose). Install with directional flow arrow as shown.
3. Liquid line sight glass with moisture indicator (shipped loose).
4. Liquid line refrigeration piping in accordance with Line Sizing Chart in Owner's Manual.
5. Factory installed liquid line solenoid valve (normally closed). 6000-8000Scm/Scmr-EC have two solenoid valves, 5S and 5P. (Dual Power/Valve Control configurations only).
6. Factory installed thermostatic expansion valve. Bulb must be attached to a horizontal run of the suction line after brazing the field suction connection, and insulated with the supplied cork tape. 6000-8000Scm/Scmr-EC have two expansion valves, 6S and 6P.
7. Factory installed ¼" evaporator suction access valve. 6000-8000Scm/Scmr-EC have two access valves, 7S and 7P.
8. Insulated suction line refrigeration piping (refer to Line Sizing Chart in Owner's Manual).
9. Suction connection location.
10. Condensing unit ¼" liquid access valve. The position of the access valve varies by model, trace the liquid line back from the connection through the receiver to the condenser coil bottom outlet to locate the valve.
11. Condensing unit ¼" suction access valve located off a tee on the compressor shell process tube.
12. Field provided dual evaporator liquid line tee. Required on 6000-8000Scm/Scmr-EC only.
13. Field provided dual evaporator suction line tee. Required on 6000-8000Scm/Scmr-EC only.

