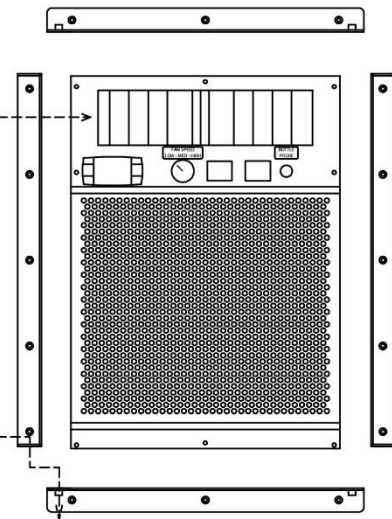


# Evaporator Mounting Instructions

3000S-EC  
4000S-EC

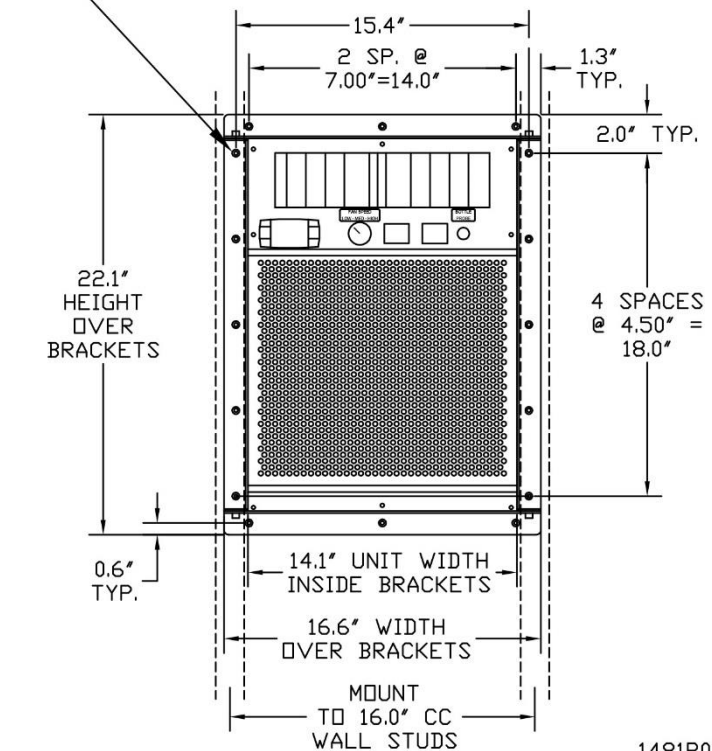
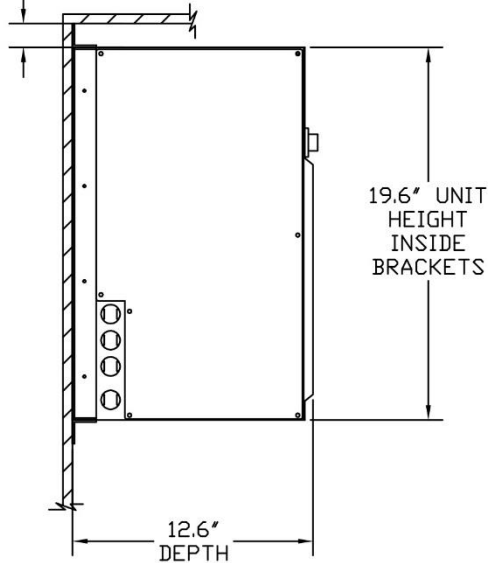
(8) #8x5/8  
PHIL HEAD SHEET  
METAL SCREWS  
4 PER SIDE

(4) 1/4-20x5/8  
HEX HEAD BOLTS  
AND LOCKWASHERS  
TOP & BTM BRKTS



(16) #10x1-1/2" PHIL HEAD WOOD SCREWS.  
DRILL SIZE:  
HARDWOOD: 7/64" DIA  
SOFTWOOD: 3/32" DIA

1.3" SHOWN FOR TOP BRACKET  
CLEARANCE. TOP AND BOTTOM  
BRACKETS ARE OPTIONAL. UNIT  
CAN BE FLUSH MOUNTED TO THE  
CEILING WITHOUT THE TOP BRACKET.



1481R00