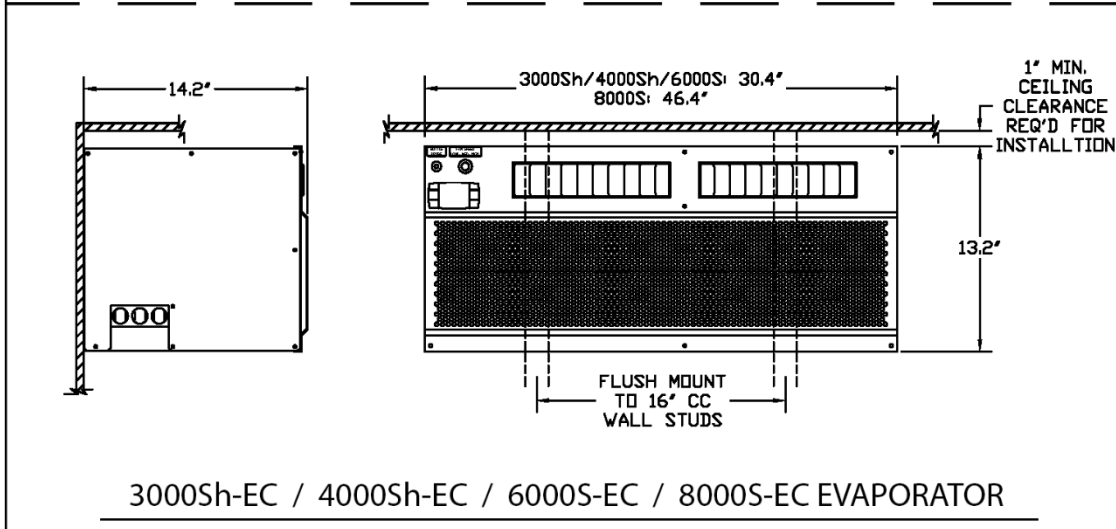
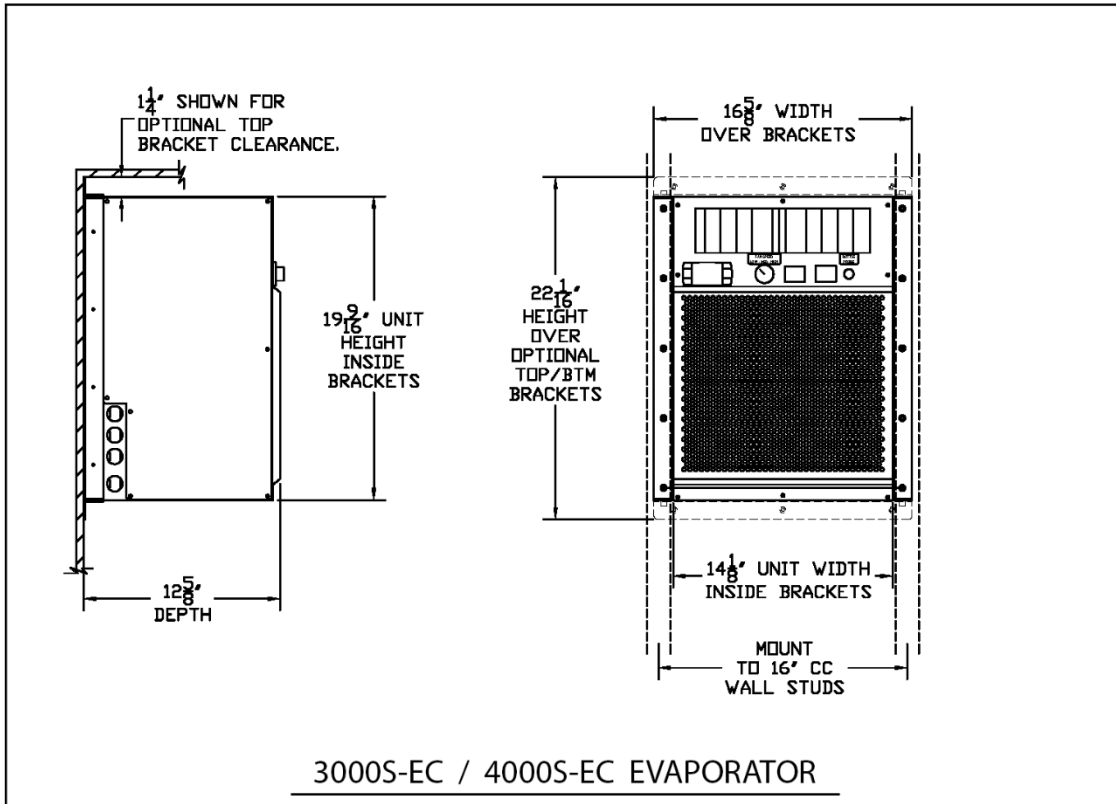


Evaporator Cut Sheet

3000S-EC/Sh-EC 6000S-EC
4000S-EC/Sh-EC 8000S-EC



NOTE:
ELECTRICAL AND REFRIGERATION KNOCKOUTS
AVAILABLE TOP LEFT, BACK LEFT, OR SIDES.
REFER TO KNOCKOUT DETAIL DRAWING.

1452R08



877.726.8496
www.cellarpro.com

Evaporator Cut Sheet

3000S-EC/Sh-EC 6000S-EC
4000S-EC/Sh-EC 8000S-EC

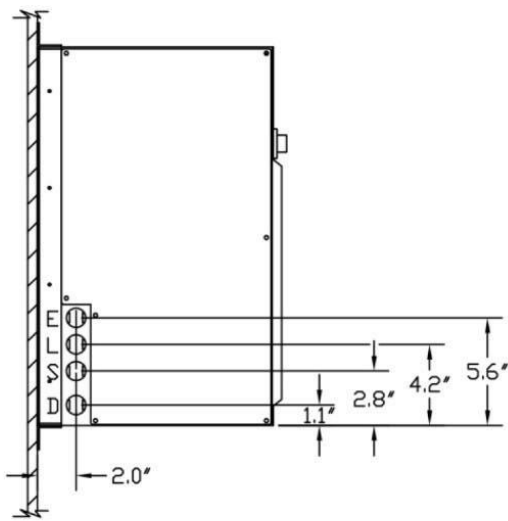
Evaporator			
Model	Dimensions W x D x H (inches)	Weight (lbs.)	Running Amps (with fan on "high")
3000S-EC	16.6 x 12.6 x 22.1 (incl. mounting brackets)	40	6.1
3000Sh-EC	30.4 x 14.4 x 13.2 (incl. mounting bracket)	63	5.6
4000S-EC	16.6 x 12.6 x 22.1 (incl. mounting brackets)	42	8.4
4000Sh-EC	30.4 x 14.4 x 13.2 (incl. mounting bracket)	65	7.9
6000S-EC	30.4 x 14.4 x 13.2 (incl. mounting bracket)	68	12.6
8000S-EC	46.4 x 14.4 x 13.2 (incl. mounting bracket)	85	13.8



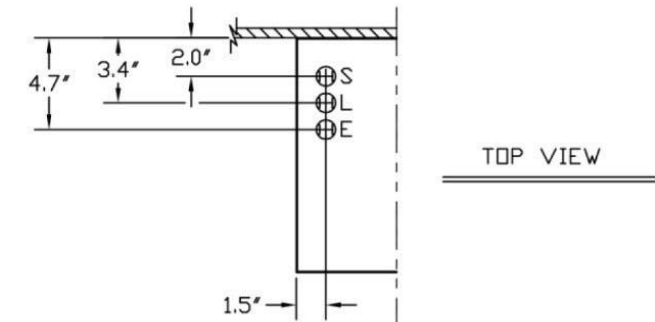
Evaporator Cut Sheet

3000S-EC/Sh-EC 6000S-EC
4000S-EC/Sh-EC 8000S-EC

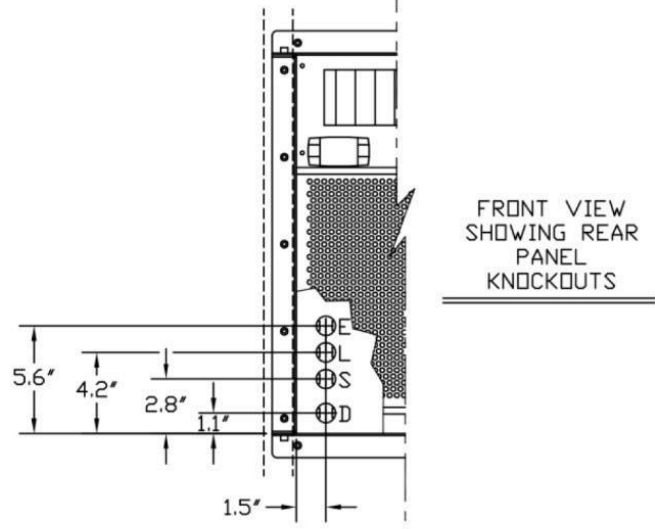
KNOCKOUT LEGEND:
L = LIQUID LINE
S = SUCTION LINE
E = ELECTRICAL CONDUIT
D = DRAIN LINE
ALL KNOCKOUTS 7/8"



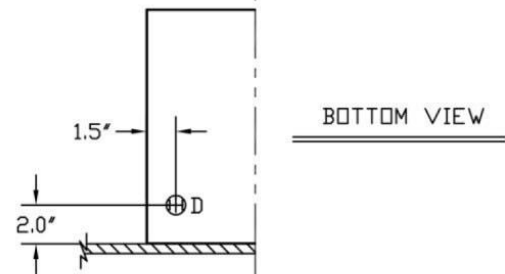
LEFT AND RIGHT SIDE



TOP VIEW



FRONT VIEW
SHOWING REAR
PANEL
KNOCKOUTS



BOTTOM VIEW

3000S-EC / 4000S-EC EVAPORATOR KNOCKOUT DETAIL

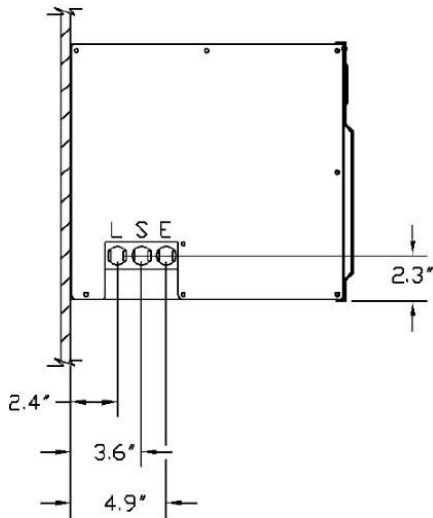
1479R01

Evaporator Cut Sheet

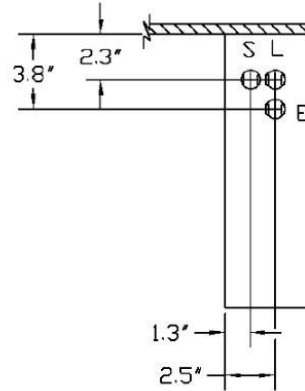
3000S-EC/Sh-EC
4000S-EC/Sh-EC

6000S-EC
8000S-EC

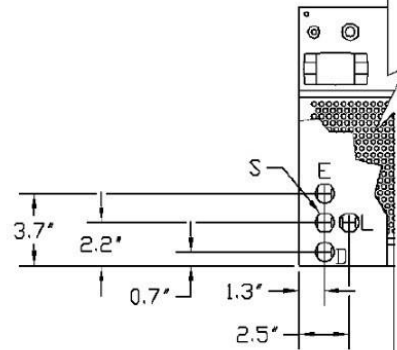
KNOCKOUT LEGEND:
 L = LIQUID LINE
 S = SUCTION LINE
 E = ELECTRICAL CONDUIT
 D = DRAIN LINE
 ALL KNOCKOUTS 7/8"



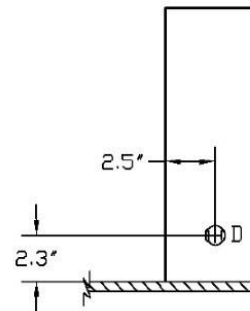
LEFT AND RIGHT SIDE



TOP VIEW



FRONT VIEW
 SHOWING REAR
 PANEL
 KNOCKOUTS



BOTTOM VIEW

3000Sh-EC / 4000Sh-EC / 6000S-EC / 8000S-EC
EVAPORATOR KNOCKOUT DETAIL

1480R01