

AIREYE[®]

Forget off-the-shelf box fans and rickety pedestal fans. AirEye brings Big Ass Fans' premium engineering to your facility with best-in-class performance, efficiency, and smart controls. An IP65-rated design and mountable, powder-coated steel frame give AirEye the durability to take on tough conditions so your workforce stays comfortable and productive.



KEY FEATURES

- ▶ **Three Galvalume[®] steel blades** precision-balanced for smooth performance
- ▶ **IP65-rated EC motor** for superior protection from dust and water
- ▶ **Variable speed controller** with virtually infinite airflow settings
- ▶ **50% more CFM per watt** than basic induction motors
- ▶ **BMS integration and fan grouping** with optional BAFCon controller
- ▶ **Occupancy sensor** available for added convenience and energy savings

DIAMETER

**20, 24, AND
30 INCHES**
(51, 61, AND 76 CM)

MOUNTING

**PORTABLE PEDESTAL,
WALL/COLUMN, SWIVEL ARM,
OVERHEAD BEAMS, AND BAR JOISTS**

VOLTAGE

**100-120 OR
200-240 VAC**

WARRANTY

**UP TO
5 YEARS**



DISCOVER MORE ABOUT AIREYE

Learn more at bigassfans.com/aireye
or call **877.BIG.FANS** for a free custom quote.

AIREYE

BRAWN MEETS BRAINS



Technical Specifications

Fan Size	Weight ¹	Input Power	Max amps	Max power	Max speed	Motor	Sound at max speed ²
20 in. (508 mm)	32 lb (14.5 kg)	100–120 VAC, 1 Φ, 50/60 Hz 200–240 VAC, 1 Φ, 50/60 Hz	4.6 A 3.1 A	326 W 389 W	1220 RPM 1296 RPM	1/3 hp	69 dBA
24 in. (610 mm)	38 lb (17.2 kg)	100–120 VAC, 1 Φ, 50/60 Hz 200–240 VAC, 1 Φ, 50/60 Hz	4.8 A 3.0 A	334 W 393 W	1290 RPM 1317 RPM		
30 in. (762 mm)	45 lb (20.4 kg)	100–120 VAC, 1 Φ, 50/60 Hz 200–240 VAC, 1 Φ, 50/60 Hz	4.9 A 2.9 A	345 W 379 W	1280 RPM 1215 RPM		

Construction Features

Cage and Blades	Motor	Power Supply	Control Options ³	Environment	Colors	Occupancy Sensor
OSHA-compliant steel wire cage Precision-balanced blades made from galvalume steel	Electronically commutated motor	18 ft (5.5 m) cord with plug fits standard power outlet	Infinitely variable speed Automatino and multi-fan kit	Suitable for damp environments Rated IPX5	Black cage with high-visibility yellow motor and blades Custom colors available	Available AirEye Occupancy Sensor (AEOS) uses passive infrared detection to run AirEye only when you need it

Main Fan Unit Ordering Information

AirEye Fan Kit	Diameter	Voltage	Region	Controller
F-AE1	20: 20 in. (508 mm) 24: 24 in. (610 mm) 30: 30 in. (762 mm)	01: 120 V 02: 240 V	Blank: US, CA, MX R01: Europe R03: Asia	V56: AirEye Occupancy Sensor V59: Automation and Multi-Fan Kit V56V59: Automation and Multi-Fan Kit with AirEye Occupancy Sensor

Accessory Ordering Information

Description	Part Number
3 ft (0.9 m) Drop Cord Extension (Control)	007269
6 ft (1.8 m) Drop Cord Extension (Control)	007270
12 ft (3.7 m) Drop Cord Extension (Control)	007271

Mount Ordering Information

Description	Part Number
I-Beam Mount	007263
C-Channel Mount	007264
Wall Mount	007265
Pedestal and Wheel Kit	008001
Swivel Mount	007180



AirEye 240 V



AirEye Occupancy Sensor



Variable Speed Control



Automation and Multi-Fan Kit

¹ Weight does not include mounts or accessories.

² Fans are sound tested at maximum speed in a laboratory environment. Actual results in field conditions may vary due to sound reflecting surfaces and environmental conditions.

³ The AirEye Multi-Fan kit must be used with the BAFCON controller. The kit is not compatible with the AirEye Standard Controller.

Lead times may vary.
See full warranty for coverage information.



USA
BIGASSFANS.COM
877-244-3267

CANADA
BIGASSFANS.COM
844-924-4277

AUSTRALIA
BIGASSFANS.COM/AU
1300 244 277

SINGAPORE
BIGASSFANS.COM/SG
65 6709 8500

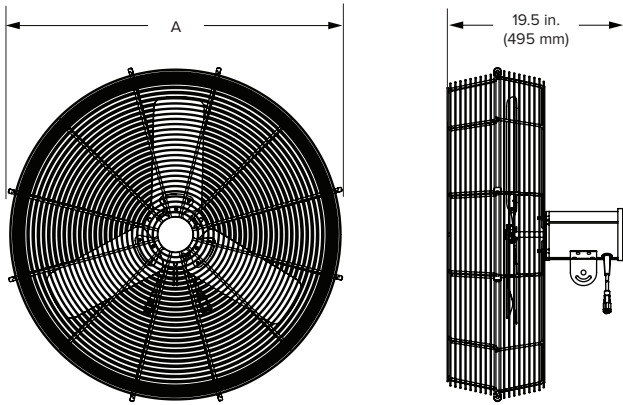
MALAYSIA
BIGASSFANS.COM/SG
603 5565 0888

AIREYE

BRAWN MEETS BRAINS

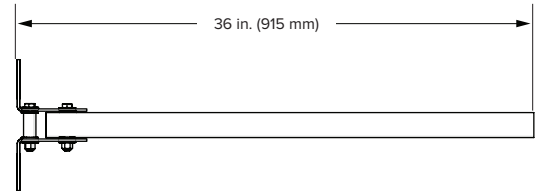


Blade and Cage Assembly



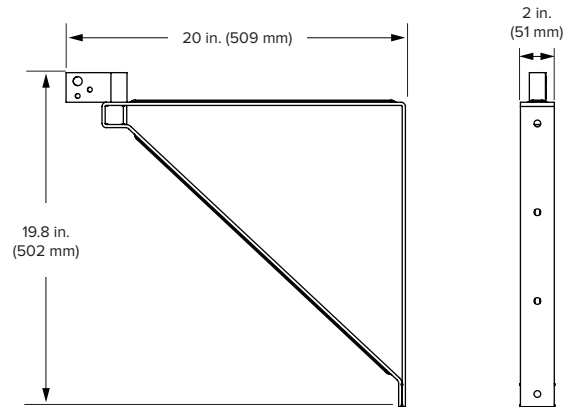
Cage Diameter (A)	Blade Diameter
25.8 in. (656 mm)	20.5 in. (521 mm)
32 in. (813 mm)	24.5 in. (622 mm)
38.2 in. (969 mm)	30.5 in. (775 mm)

Swivel Mount



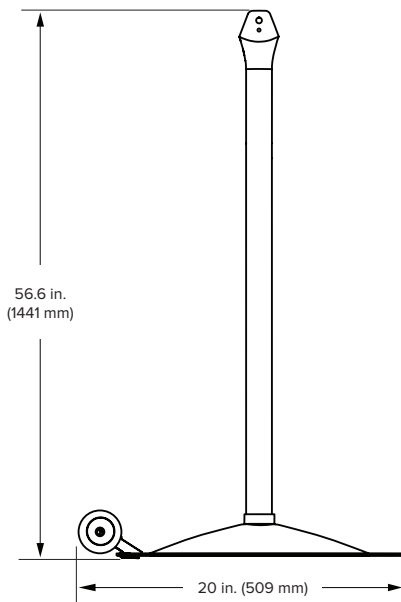
Weight: 16 lb (7.3 kg)

Wall Mount



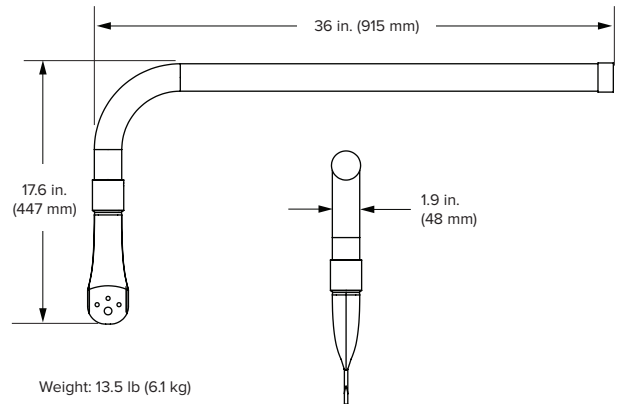
Weight: 9.5 lb (4.3 kg)

Pedestal Mount



Weight: 44 lb (19.9 kg)

I-Beam Mount / C-Channel Mount



Weight: 13.5 lb (6.1 kg)



USA
BIGASSFANS.COM
877-244-3267

CANADA
BIGASSFANS.COM
844-924-4277

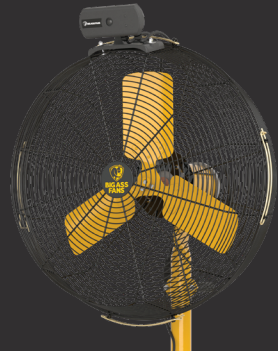
AUSTRALIA
BIGASSFANS.COM/AU
1300 244 277

SINGAPORE
BIGASSFANS.COM/SG
65 6709 8500

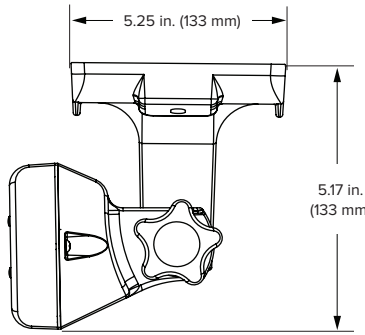
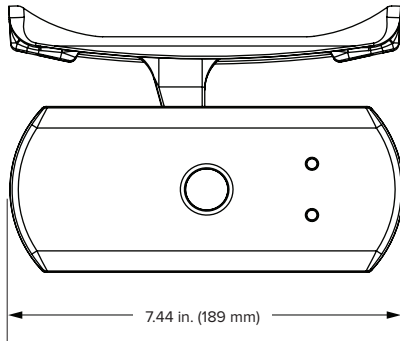
MALAYSIA
BIGASSFANS.COM/SG
603 5565 0888

AIREYE OCCUPANCY SENSOR

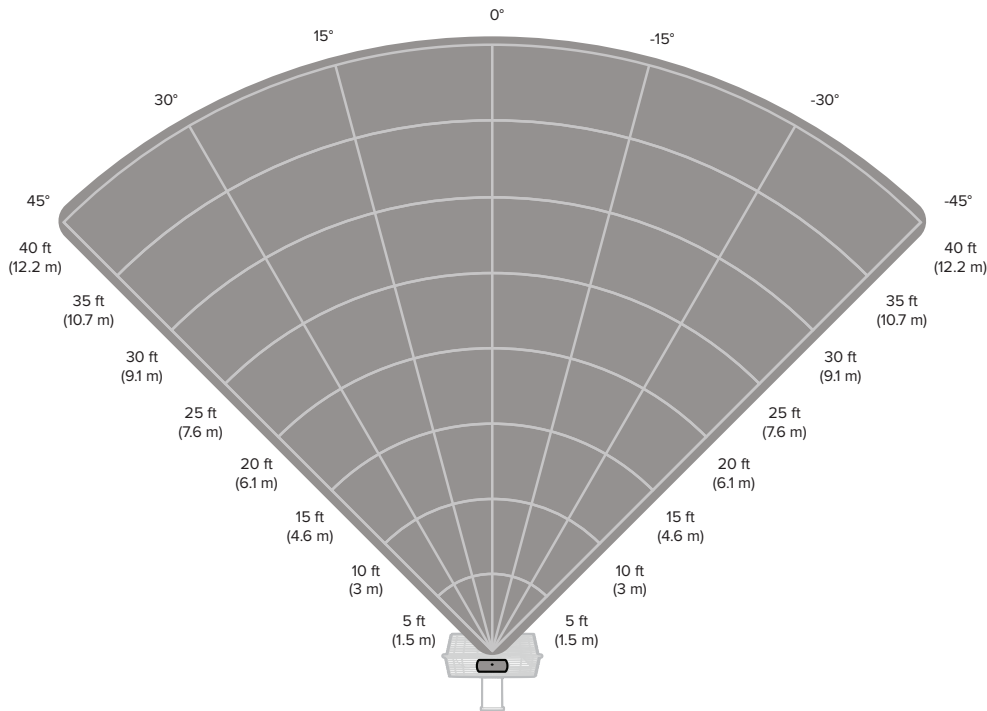
BRAWN MEETS BRAINS



With an effective range of up to 40 ft (12.2 m) within a 90-degree radius, the AirEye Occupancy Sensor automatically turns the fan on to a set speed when it detects infrared motion. Its adjustable lock knob allows users to aim the sensor where airflow is needed most, and two status LEDs display AirEye's power and motion-detection activity. The fan will shut off five minutes after occupants leave the area.



Sensor Coverage



USA
BIGASSFANS.COM
877-244-3267

CANADA
BIGASSFANS.COM
844-924-4277

AUSTRALIA
BIGASSFANS.COM/AU
1300 244 277

SINGAPORE
BIGASSFANS.COM/SG
65 6709 8500

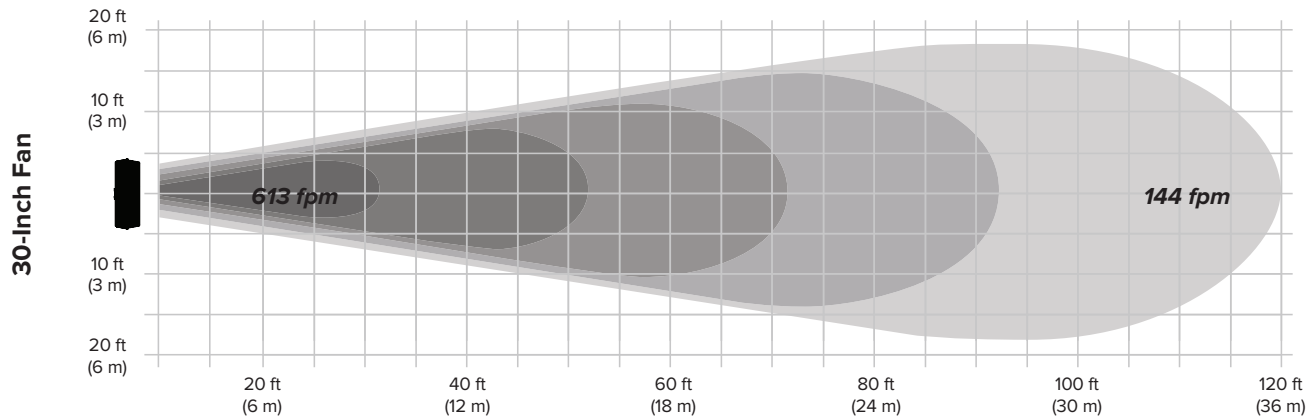
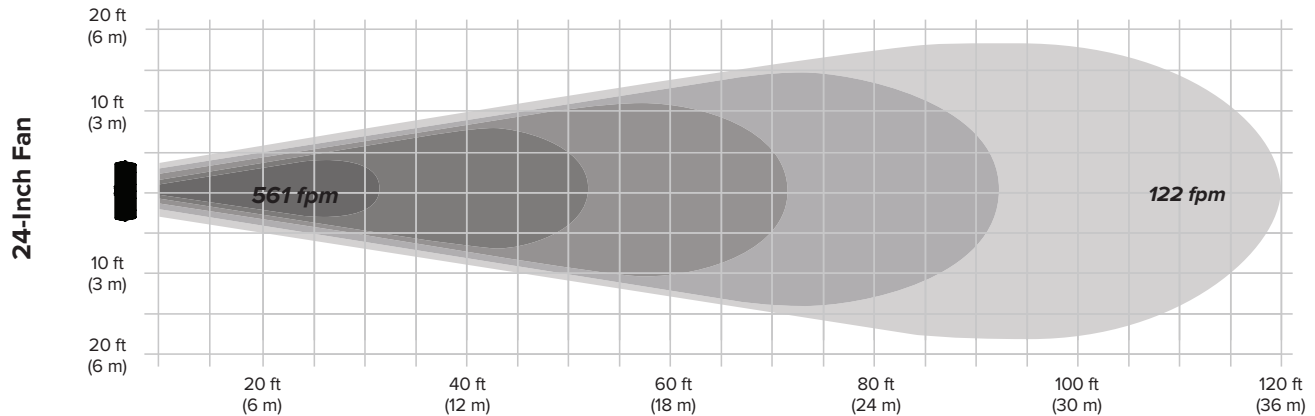
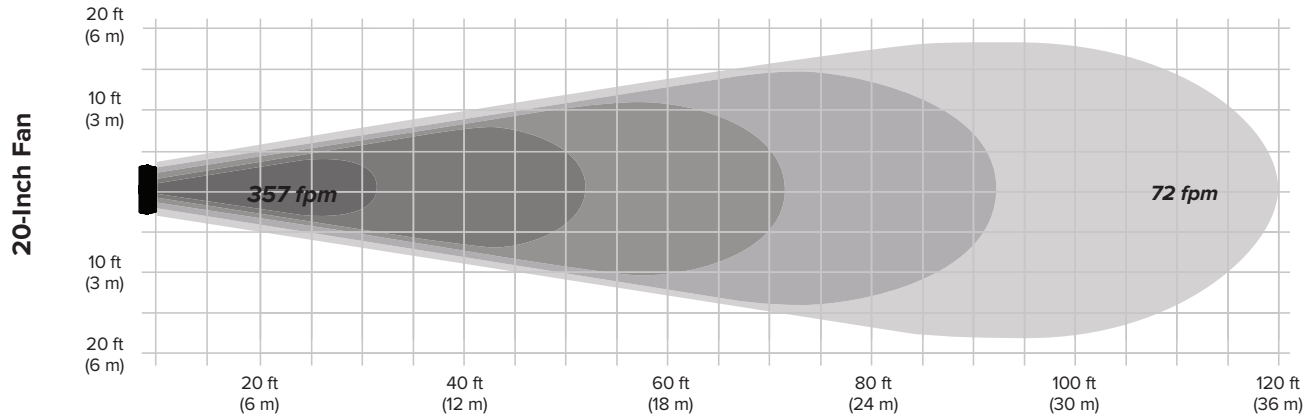
MALAYSIA
BIGASSFANS.COM/SG
603 5565 0888

AIREYE

AIRFLOW SPECIFICATIONS



Shaded areas represent cooling up to 120 feet (36.6 meters). That's one-third the length of a football field! Darker shading indicates faster air velocity.



USA
BIGASSFANS.COM
877-244-3267

CANADA
BIGASSFANS.COM
844-924-4277

AUSTRALIA
BIGASSFANS.COM/AU
1300 244 277

SINGAPORE
BIGASSFANS.COM/SG
65 6709 8500

MALAYSIA
BIGASSFANS.COM/SG
603 5565 0888