



Submittal Sheet

Submitted for: Approval Record

Job Name: _____

Date: _____

Contractor: _____

Location: _____

Engineer: _____

Tag: _____

BLIZZARD SERIES DC INVERTER

Outdoor Units: ABZCI4H4S09

Indoor Units: ABZEM4H4S09

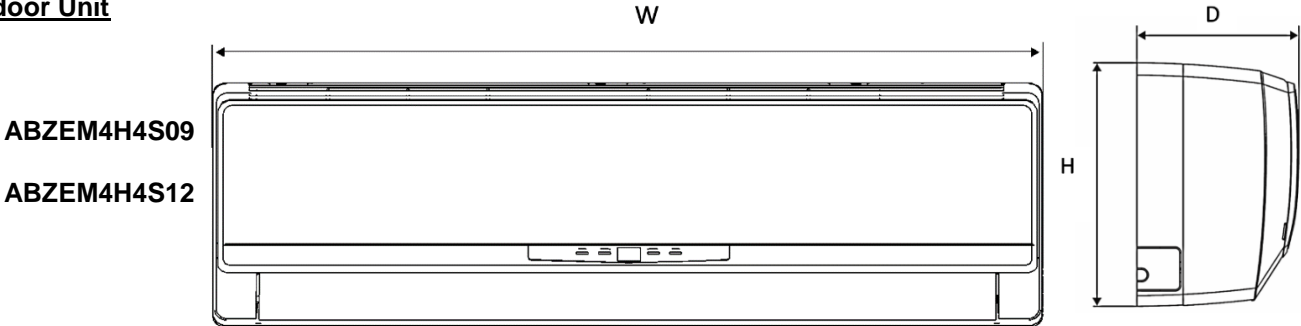
ABZCI4H4S12

ABZEM4H4S12

Notes: _____

Summary, Features, and Construction Views

Indoor Unit



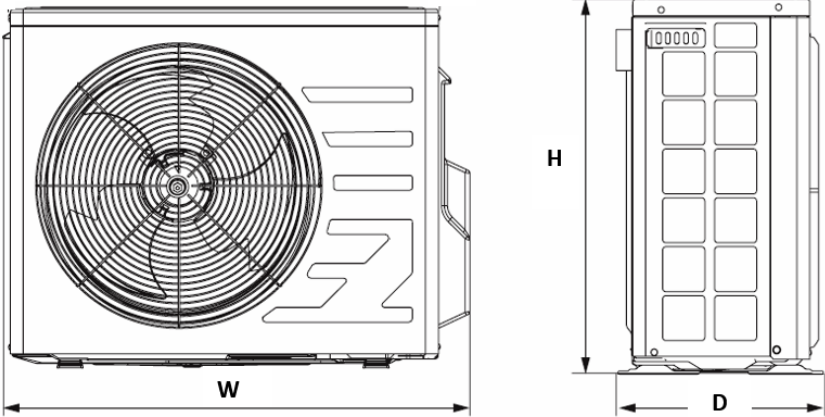
Model	W	H	D
Units:mm			
ABZEM4H4S09	870	270	214
ABZEM4H4S12	977	315	236
Units:in			
ABZEM4H4S09	34-1/4	10-5/8	8-7/16
ABZEM4H4S12	38-1/2	12-3/8	9-5/16

*True dimensions in inches

Summary, Features, and Construction Views

Outdoor Unit

ABZCI4H4S09 & ABZCI4H4S12



Model	W	H	D
Units:mm			
ABZCI4H4S09	810	585	280
ABZCI4H4S12	810	585	280
Units:in			
ABZCI4H4S09	31-7/8	23	11
ABZCI4H4S12	31-7/8	23	11

*True dimensions in inches

Specifications

Specifications

9000 and 12000 BTU units

Parameter		Unit	Value		
Model			ABZEM4H4S09/ABZCI4H4 S09	ABZEM4H4S12/ABZCI4H 4S12	
Power Supply	Rated Voltage	V~	208/230	208/230	
	Rated Frequency	Hz	60	60	
	Phases		1	1	
Power Supply Mode			Outdoor	Outdoor	
Cooling Capacity (Min~Max)		Btu/h	9000(3600~10000)	12000(4000~13500)	
Heating Capacity (Min~Max)		Btu/h	10000(3600~10500)	13000(4000~14000)	
Cooling Power Input		W	560	775	
Heating Power Input		W	770	850	
Cooling Current Input		A	2.3(0.8~6.5)	4.6(1.2~7.0)	
Heating Current Input		A	3.4(0.8~6.5)	4.8(1.2~7.0)	
Air Flow Volume (SH/H/M/L/SL)		CFM	324	559	
		m ³ /h	550	950	
Dehumidifying Volume		Pint/h	1.9	2.5	
		L/h	0.9	1.2	
EER		Btu/Wh	16.07	15.48	
COP		Btu/Wh	15.99	15.29	
SEER			27.5	24.8	
HSPF			12.4	11.5	
E-Star			Yes	Yes	
Indoor Unit	Indoor Unit Model		ABZEM4H4S09	ABZEM4H4S12	
	Fan Type		Cross-flow	Cross-flow	
	Motor Speed (H/M/L/SL)		r/min	1150/1050/950/-	1250/1150/990/830
	DC Motor Manufacturer			Weiling	Wolong
	Motor Model			K1B310479	K1B310359
	Fan Motor Power Input		W	25	35
	Evaporator Form			Aluminum Fin-copper tube	Aluminum Fin-copper tube
	Evaporator Row-fin Gap		Inch	1/18	1/18
			mm	1.41	1.41
	Evaporator Coil Length (LXDXW)		Inch	24.4X1.1X11.6	27.8X1.1X14.9
			mm	620X27.2X294	705X27.2X378
	Sound Pressure Level (SH/H/M/L/SL)		dB(A)	39/34/31/28/-	45/41/39/36/-
	Dimension (WXHxD)		inch	34-1/4X10-5/8X8-7/16	38-1/2X12-3/8X9-5/16
			mm	870X270X214	977X315X236
	Dimension of Package (LXWXH)		Inch	35-7/16X13-3/16X10-3/16	41X15-3/8X12-3/8
mm			900X335X260	1040X390X315	

	Net Weight	lb	19.8	28.7
		kg	9.0	13.0
	Gross Weight	lb	24.3	33.1
		kg	11.0	15.0
Outdoor Unit	Outdoor Unit Model		ABZCI4H4S09	ABZCI4H4S12
	Compressor Manufacturer		GMCC	GMCC
	Compressor Model		ASN98D43UFZA	ATN130D42UFZ
	Compressor Type		Rotary	Rotary
	Fan motor manufacturer		Wolong	Wolong
	Fan motor model		K1B310479	K1B310359
	Fan Motor Power Input	W	41	41
	Fan Motor Speed (H/M/L)	RPM	780/600/450	850/600/450
	Throttling Method		EEV	EEV
	Set Temperature Range	°F	61~86	61~86
		°C	16~30	16~30
	Ambient Temperature (Cooling)	°F	0~115	0~115
		°C	-18~46	-18~46
	Ambient Temperature (Heating)	°F	-13~75	-13~75
		°C	-25~24	-25~24
	Condenser Form		Aluminum fin-copper tube	Aluminum fin-copper tube
	Sound Pressure Level	dB(A)	55	55
	Dimension (WXHxD)	mm	810X585X280	810X585X280
		in	31-7/8X23X11	31-7/8X23X11
	Dimension of Package (L/W/H)	mm	940X640X385	940X640X385
		in	37X25-3/16X15-3/16	37X25-3/16X15-3/16
	Net Weight	kg	33.0	39.0
		Lbs	72.8	85.9
	Gross Weight	kg	36	36
		Lbs	79.36	79.36
	Refrigerant		R410A	R410A
	Refrigerant Charge	grams	1100	1300
		oz	38.8	45.9
	Outer Diameter Liquid Pipe	mm	6.35	6.35
		in	¼	¼
	Outer Diameter Gas Pipe	mm	9.53	9.53
		in	3/8	3/8

Note: The connection pipe applies metric diameter.

AHRI Certifications and SEER Rating

Indoor unit model	Outdoor unit model	AHRI Certification Reference Number	Rated Capacity (Btu/h)	SEER (Cooling) Btu/Wh	EER (Cooling) Btu/Wh	Heating Capacity (Btuh @ 47°F)	HSPF
ABZEM4H4S09	ABZCI4H4S09	10272500	9000	28.0	16.10	10500	12.5
ABZEM4H4S12	ABZCI4H4S12	10272501	12000	25.0	15.4	13000	12.0