

Pump Kit

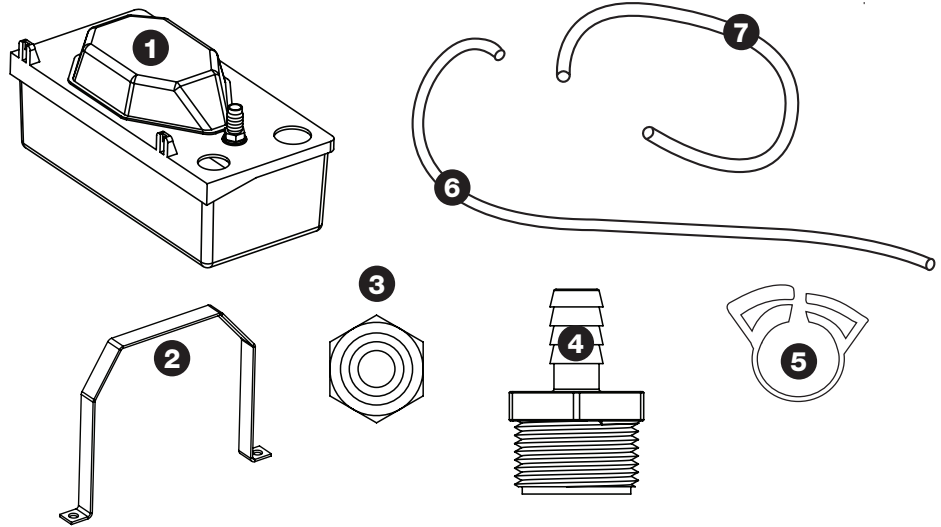
Part No. 4039225

Parts Included:

1. Condensate Pump
2. Pump Bracket
3. #8-32 Locknuts (x2)
4. Drain Hose Fitting (x2)
5. Hose Clamp (x3)
6. 3/8" X 20' Hose
7. 3/8" X 11" Hose

Tools Required:

- T25 Torx Driver
- 11/32" Hex Socket
- Channel Locks
- Scissors / Side Cutters
- Tape Measure (Optional)

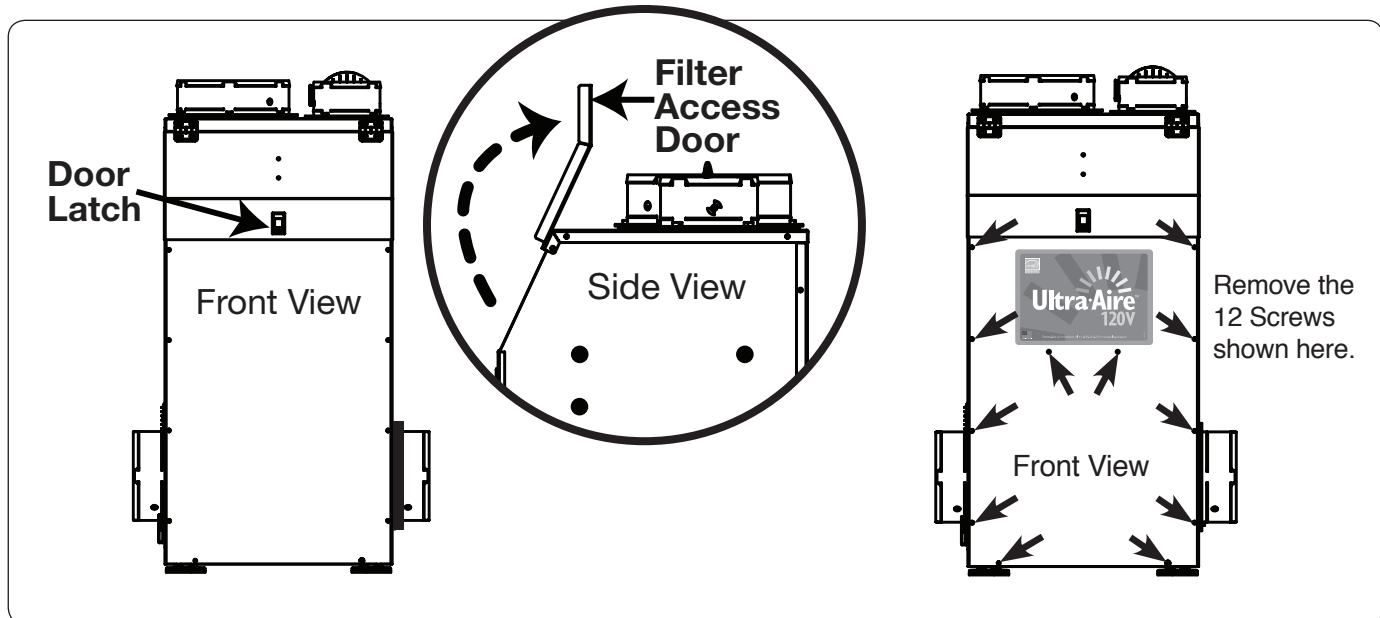


⚠ CAUTION!

BEFORE INSTALLING PUMP KIT, DISCONNECT DEHUMIDIFIER FROM ELECTRICAL POWER AND DISCONNECT DRAIN HOSE IF PREVIOUSLY INSTALLED.

Step 1: Open the Filter Access Door by pushing up on the latch and lifting. Remove the front panel by unthreading the T25 Torx Head Screws (12). Carefully set the front panel and screws aside.

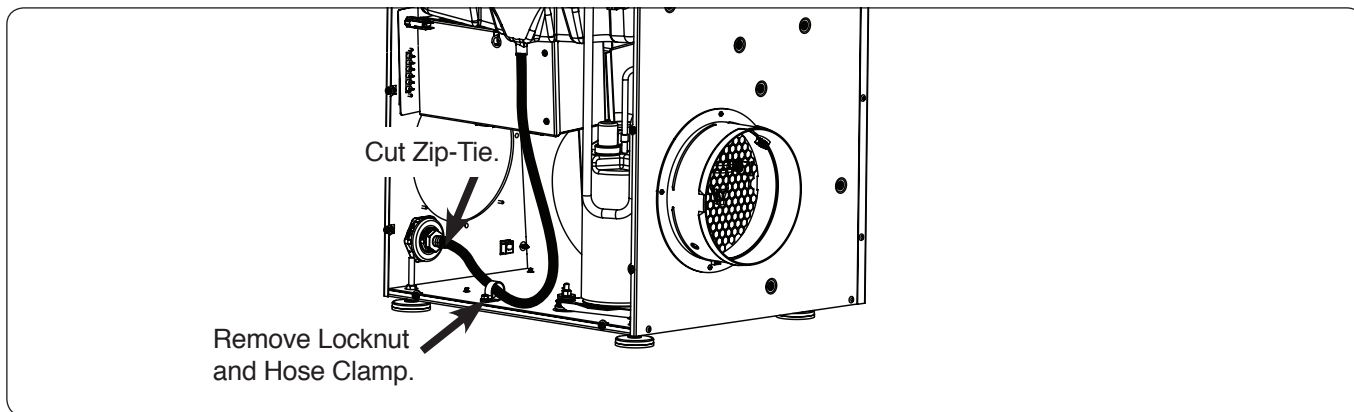
Note: The two screws removed from the center of the front panel under the label have a longer thread pitch than the other ten screws removed from the sides.



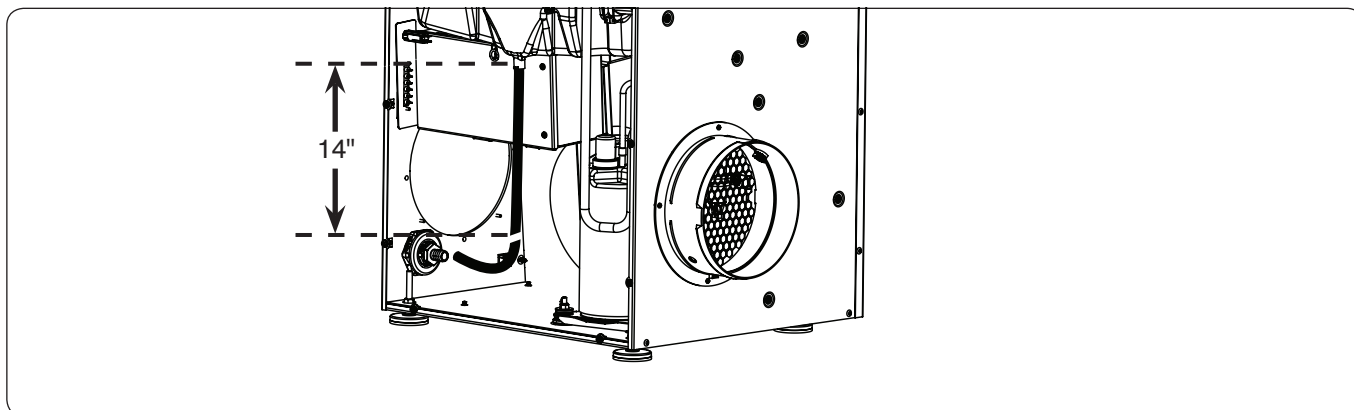
Therma-Stor

4201 Lien Rd Madison, WI 53704 • TOLL-FREE 1-800-533-7533 • www.thermastor.com • sales@thermastor.com
TS-1065 3/18 Rev A

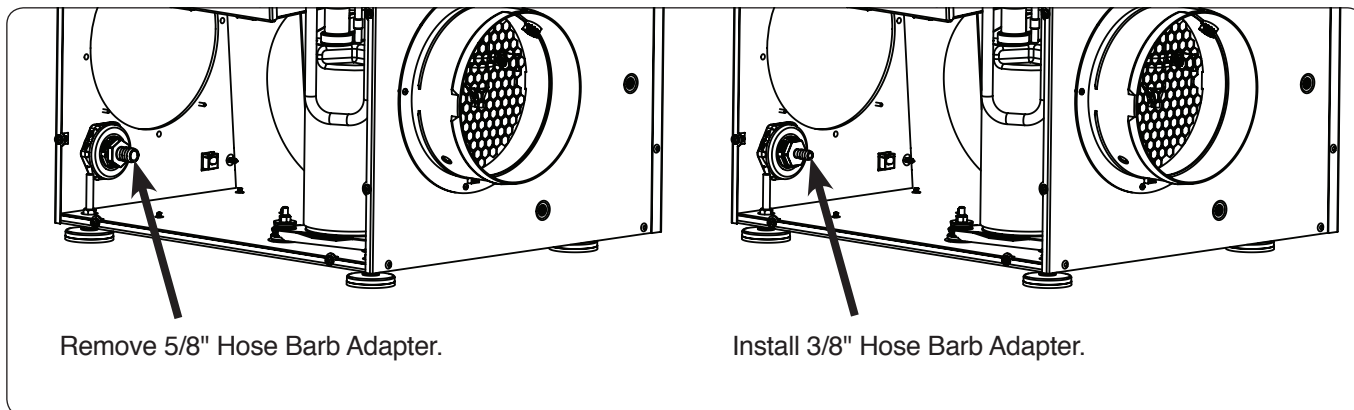
Step 2: Using 11/32" Hex Socket, unthread the #8-32 Locknut from the Plastic Hose Clamp. Remove both the Locknut and Hose Clamp, then set aside. Using Scissors or Side Cutters, cut the Zip-Tie holding the Condensate Hose on the Fitting.



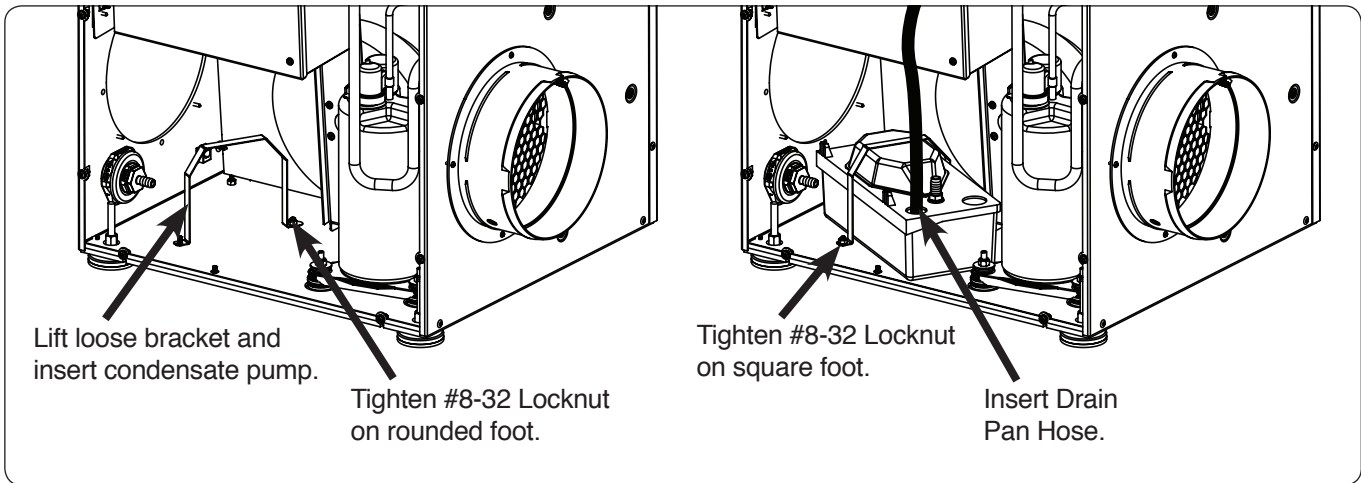
Step 3: Pull the Condensate Hose loose from the Fitting. Using Scissors or Side Cutters, cut the length of the Hose to 14" from the Drain Pan. Cut the end of the Hose at a 45 degree angle for proper drainage.



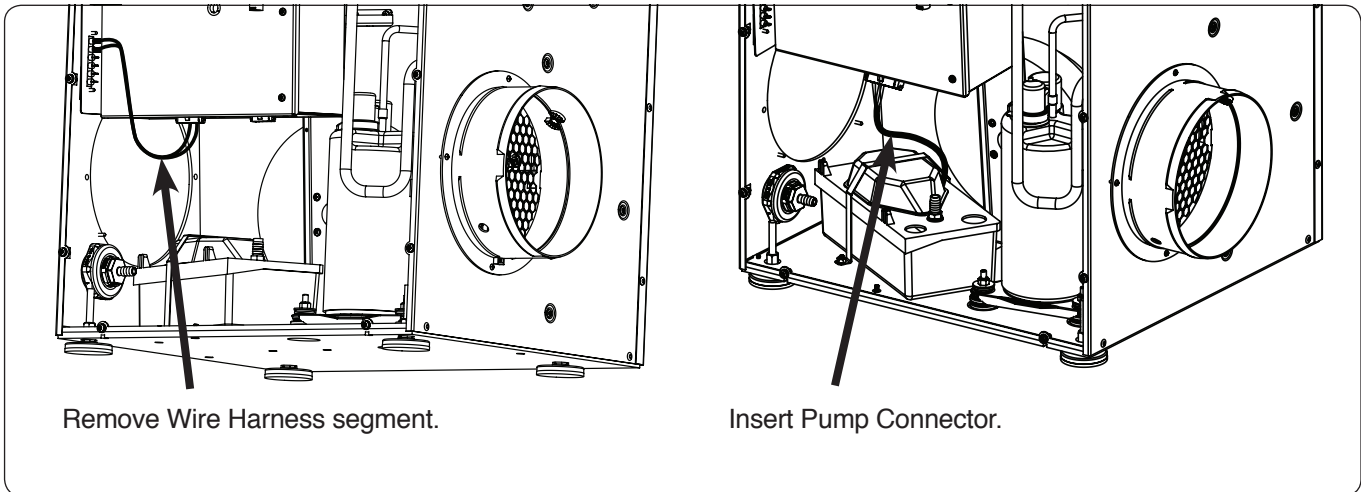
Step 4: Using Channel Locks, unthread the stock 5/8" Hose Barb Adapter out of the Bulkhead Fitting and set aside. Replace it with one of the 3/8" Hose Barb Adapters contained in the kit. Ensure the Adapter is threaded tightly, but do not over-tighten.



Step 5: Select the Pump Bracket and locate the end with the rounded foot. Slot the thru-hole on this end into the far-side threaded pin and tighten a #8-32 Locknut using 11/32" Hex Socket. While lifting the loose end of the Bracket, slide the Condensate Pump underneath until centered beneath the Bracket. Slot the thru-hole on the other end of the Bracket into the near-side threaded pin and tighten a second #8-32 Locknut. Ensure that the Pump is secure. Insert Drain Pan Hose from Step 3 into the near-side Pump Hole.



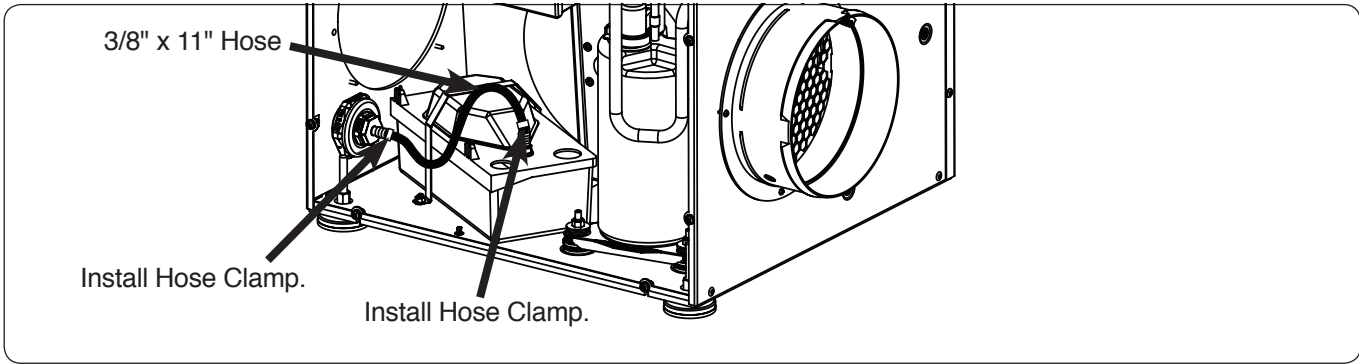
Step 6: A segment of Wire Harness (GRY-28, GRY-29) runs from a Mate-N-Lok Plug underneath the Electrical Box to two "FLOAT" Terminals on the Low-Voltage Terminal Block. Remove this segment and set aside. Insert the equivalent Mate-N-Lok Plug from the Condensate Pump into the corresponding Socket underneath the Electrical Box. Ensure that the clips on the connector have locked into place.



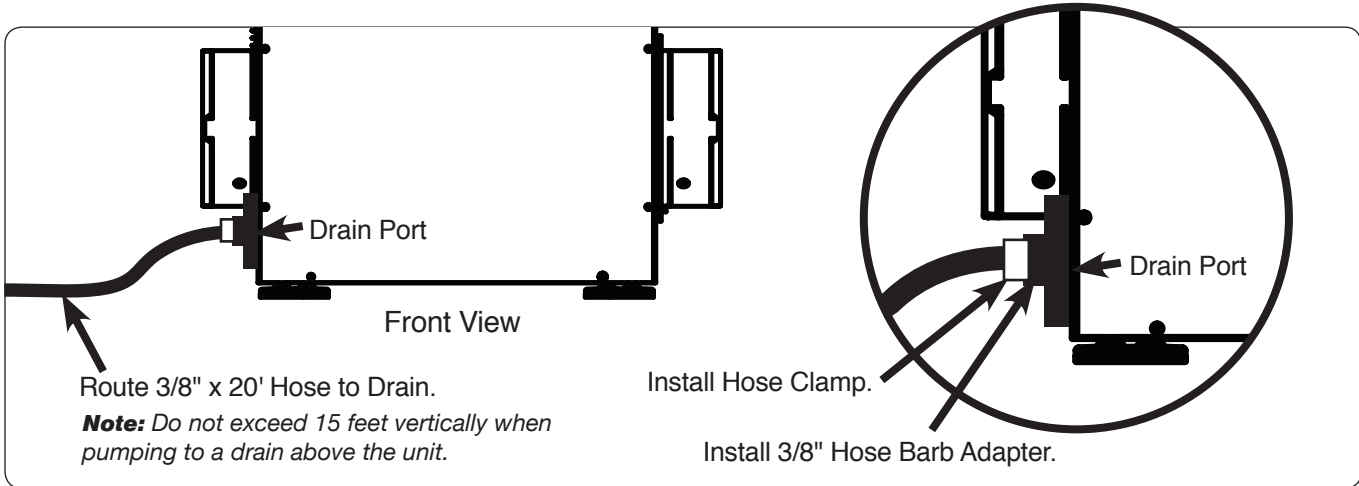
⚠ CAUTION!

BY REMOVING THE WIRE HARNESS SEGMENT, THE FLOAT SWITCH TERMINALS WILL BE DISABLED. TO RETAIN EXTERNAL FLOAT SWITCH FUNCTIONALITY, THE FLOAT SWITCH MUST BE WIRED IN SERIES WITH THE CONTROL LINE TO THE "DEHU" PIN ON THE TERMINAL BLOCK.

Step 7: Locate the 11" Hose contained in the kit. Insert the ends of the 11" Hose into the 3/8" Hose Barbs on the Pump and Adapter Fitting. Install Hose Clamps onto both ends of the Hose. Using Channel Locks, snap Clamps into place and verify that the Hose is securely fastened to the Pump by gently pulling on both ends.



Step 8: Using Channel Locks, thread the other 3/8" Hose Barb Adapter into the Bulkhead Fitting on the exterior of the unit. Ensure the Adapter is threaded tightly, but do not over-tighten. Locate the 20' Hose contained in this kit. Insert one end of the Hose onto the 3/8" Hose Barb Adapter and secure using another Hose Clamp. Route Hose appropriately to Drain.



Step 9: Locate the Front Panel and T25 Torx Head Screws that were set aside in Step 1. Replace the Front Panel by installing the Screws into their corresponding holes (12). Close the Filter Access Door by inserting the Latch into the Front Panel.

Note: The two screws removed from the center of the front panel under the label have a longer thread pitch than the other ten screws removed from the sides.

