

## Split System Submittal Data

System: **E18RKUA** Indoor: **CS-E18RKUAW** Outdoor: **CU-E18RKUA**

Job Name: \_\_\_\_\_  
 Location: \_\_\_\_\_  
 Engineer: \_\_\_\_\_  
 Submitted to: \_\_\_\_\_  
 Submitted by: \_\_\_\_\_  
 Reference: \_\_\_\_\_

Approval: \_\_\_\_\_  
 Date: \_\_\_\_\_  
 Construction: \_\_\_\_\_  
 Unit#: \_\_\_\_\_  
 Drawing#: \_\_\_\_\_

| General Data                          |                                      |
|---------------------------------------|--------------------------------------|
| <b>Power (V/P/Hz)</b>                 | <b>230/208/1/60</b>                  |
| Circuit Ampacity (A)                  | 15                                   |
| Fuse Size, Max.(A)                    | 20                                   |
| <b>Compressor</b>                     | DC Twin Rotary (Inverter)            |
| No. Used                              | 1                                    |
| Motor Type (No. of poles)             | DC Brushless (4 poles)               |
| Output Power                          | 1700                                 |
| Outdoor Unit                          |                                      |
| Fan Type                              | Propeller                            |
| No. Speeds                            | Variable speed                       |
| Type Drive                            | Direct / DC Brushless Motor          |
| No. Poles (RPM)                       | 8-700                                |
| No. Motors (W)                        | 1-60                                 |
| CFM (Hi speed)                        | 1925                                 |
| <b>Coil Type</b>                      | Aluminum Fin and Copper Pipe         |
| Fin Type - Pipe Type                  | Coated Corrugated fin - Inner Rifled |
| Rows x stage x F.P.I.                 | 2 x 36 x 19                          |
| Size (W x H x L)                      | 1-13/32 x 29-25/32 x 34-7/32         |
| Tube Size (in.)                       | 9/32                                 |
| Indoor Unit                           |                                      |
| Fan Type                              | Cross Flow                           |
| Motor Type, No. of Poles              | DC Brushless, 8 poles                |
| No. Speeds                            | Variable speed                       |
| RPM (Cool / Heat), High               | 1,480 / 1,500                        |
| No. Motors (W)                        | 1-94.8                               |
| CFM (Qlo/Lo/Me/Hi/SHi) Cooling        | 469/513/592/670/720                  |
| CFM (Qlo/Lo/Me/Hi/SHi) Heating        | 508/553/622/695/740                  |
| Operating Sound-Hi/Me/Lo/ dB-A (Cool) | 47/39/36                             |
| Operating Sound-Hi/Me/Lo/ dB-A (Heat) | 46/39/36                             |
| <b>Coil Type</b>                      | Aluminum Plate Fin & Copper Tube     |
| Fin Type - Pipe Type                  | Coated Slit Plate - Inner Rifled     |
| Row x stage x FPI                     | 2 x 15 x 21                          |
| Size                                  | 1 x 12-13/32 x 31-7/8                |
| Tube Size (in.)                       | 9/32"                                |
| Drain Connection Size (in.)           | 3/4"                                 |
| <b>Refrigerant</b>                    | R410A                                |
| Oz. - R410a (outdoor unit)            | 56.5                                 |
| Refrigerant Control                   | Electronic Expansion Valve           |
| Refrigerant Tubing Connections        | Flare                                |



| Line Length, Max (ft.)                | 100.0                          |
|---------------------------------------|--------------------------------|
| Elevation Difference, Max (ft.)       | 49.2                           |
| Line Size (in. O.D. Discharge)        | 1/4"                           |
| Line Size (in. O.D. Suction)          | 1/2"                           |
| Pre-charge, tubing length at shipment | 32.8'                          |
| Dimensions (HxWxD)                    |                                |
| Indoor Unit (Crated) (in.)            | 14-17//32 x 45-11/16 x 11-9/32 |
| Indoor Unit (Uncrated) (in.)          | 11-7/16 x 42-5/32 x 9-15/32    |
| Outdoor Unit (Crated) (in.)           | 34-25/32 x 41-5/16 x 19-1/8    |
| Outdoor Unit (Uncrated) (in.)         | 31-5/16 x 34-15/32 x 12-5/8    |
| Weight (lbs.)                         |                                |
| (Indoor) Net                          | 26                             |
| (Indoor) Shipping                     | 31                             |
| (Outdoor) Net                         | 132                            |
| (Outdoor) Shipping                    | 146                            |

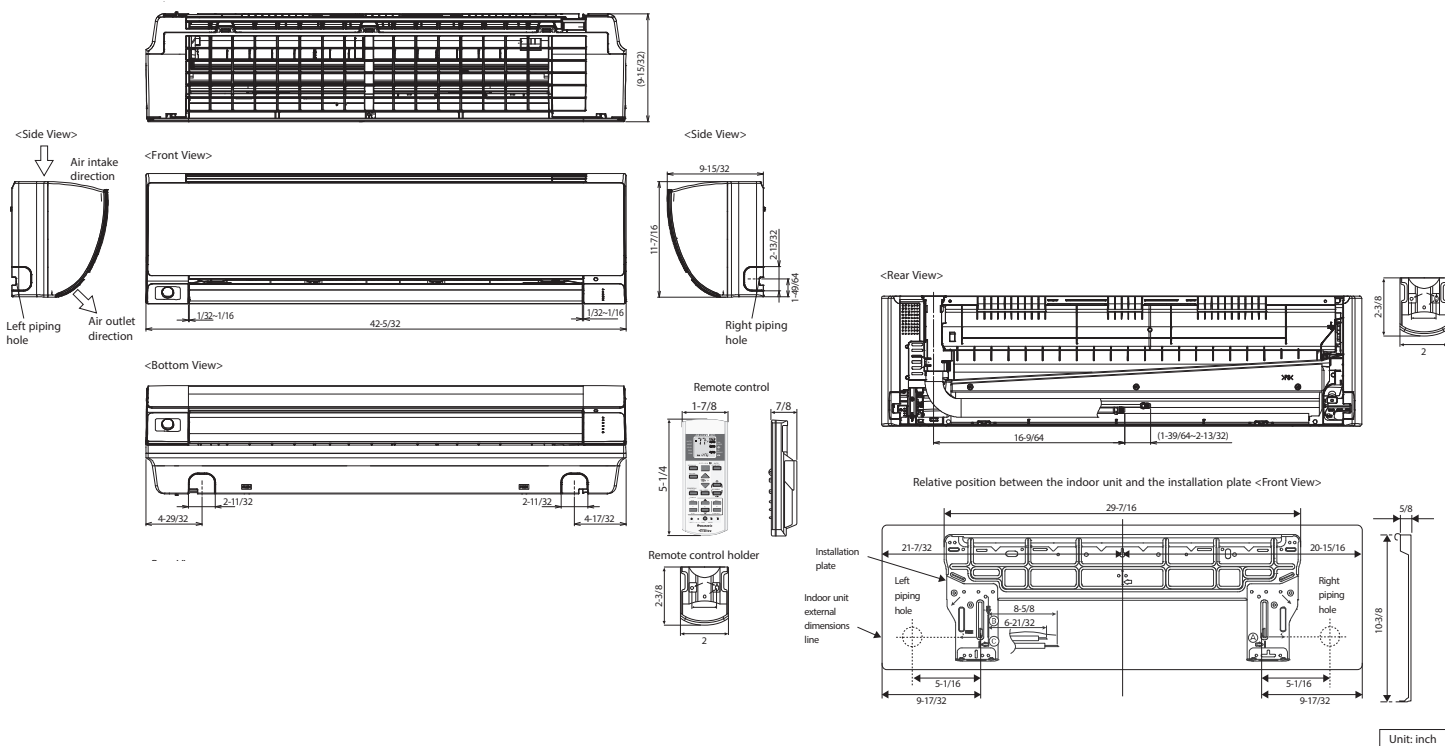
| Performance Data @ ARI Standard Conditions |                       |
|--|-----------------------|
| <b>Cooling</b>                             |                       |
| Total Capacity (BTU/H)                     | 17,200 (5,800-19,800) |
| Sensible Capacity (BTU/H)                  | 15,990                |
| Latent Capacity (BTU/H)                    | 1210                  |
| SEER                                       | 19.5                  |
| Dehumidification (Pints/H)                 | 3.0                   |
| Amps (A)                                   | 6.3                   |
| Power Inputs (W)                           | 1300                  |
| Outdoor Sound Rating (dB-A)                | 49                    |
| <b>Heating</b>                             |                       |
| Total Capacity (BTU/H)                     | 21,600 (5,800-22,00)  |
| HSPF                                       | 10.0                  |
| Amps (A)                                   | 8.3                   |
| Power Inputs (W)                           | 1750                  |
| Outdoor Sounds Rating (dB-A)               | 51                    |

| Features                             |  |
|--------------------------------------|--|
| Controls                             | Microprocessor                         |
| Remote Controller                    | LCD Wireless Type included as standard |
| Wired Remote Controller              | Optional CZ-RD516C-1                   |
| Temperature Control                  | IC Thermistor                          |
| Timer                                | Single Event Daily ON/OFF TIMER        |
| Quiet mode                           | Included                               |
| High Power mode                      | Included                               |
| Air Louver, Horizontal               | Automatic, Sweep, Step                 |
| Air Louver, Vertical                 | Automatic, Sweep, Step                 |
| Power Failure Automatic Restart      | Built-In                               |
| Heating/Cooling Automatic Changeover | Built-In                               |
| Self-Diagnosis                       | Built-In                               |
| Air Filter                           | Washable, One-touch                    |

| Operating Range | Indoor Air Intake Temp | Outdoor Air Intake Temp |
|-----------------|------------------------|-------------------------|
| Cooling (Max)   | 89.6F DB/73.4F WB      | 114.8F DB               |
| Cooling (Min)   | 60.8F DB/51.8F WB      | 0F DB                   |
| Heating (Max)   | 86.0F DB               | 75.2F DB/64.4F WB       |
| Heating (Min)   | 60.8DB                 | -4.0F DB/-5.8F WB       |



# Indoor Dimensions



# Outdoor Dimensions

