

Model 6CC10

Air-Cooled Portable Air Conditioner

Submittal Data



SD-6CC10-3

STANDARD FEATURES

- 10,000 Btu Cooling Capacity
- Spot-Cool / Room-Cool Thermostat Settings
- Internally Insulated with Fiberglass Insulation
- Thermostatic Control with Multi-Speed Fan
- Separate Direct Drive Fan Motors
- R410A Refrigerant
- Includes Built-in Condensate Pump
- 115V/1 Phase
- Optional Directional Nozzle (1)
- Self-Diagnostic System
- Off Timer
- Washable Filters
- Auto / Manual Fan Speed Option
- Humidity Control Function



SAFETY DEVICES

- Compressor Overload Protection
- Anti-freezing Thermistor
- Automatic Restart (Power Interruption)
- Compressor Time Delay Program
- High Pressure Switch

SPECIFICATIONS

Model Number	6CC10
Cooling Capacity	10,000 Btu/hr
Cooling Test Conditions	95°F
Voltage/Phase/Hz	115/1/60
Amperage	10
Fuse Size	15 Amps*
LCDI Plug Configuration	NEMA 5-15P
Power Cord Length	10 ft.
Refrigerant Type	R410A
Dimensions	20"H x 17.2"W x 24"D
Net Weight	121 Lbs
Shipping Weight	128 Lbs
Condensate Tank Capacity	NA

*Time delay fuses and circuit breakers are recommended

ADDITIONAL SPECIFICATIONS

Ambient Temperature Range	64 - 113°F
Setting Temperature (Room Cool)	64 - 86°F
Setting Temperature (Spot Cool)	32 - 86°F
Application Area Ft ² (Room Cool Mode)	269
Refrigerant Type / Ounces	R410A / 16
Design Pressure High/Low	465 / 250 PSIG
Indoor Air Flow High/Low	320 / 220 CFM
Hot Air Duct Diameter	6 in.
Maximum Exhaust Duct Length	10 ft.
Condenser Air Flow	750 / 700 CFM
FLA	10 Amps
Max Duct Length: Cold Air Supply	30 ft.
Max Duct Length: Hot Air Discharge	10 ft.
Duct Connection Hot Air Discharge	12 in.
Drain Type	Auto pump



260 North Elm St.
Westfield, MA 01085
Phone: 413-564-5520
Fax: 413-564-5815
www.Koldwave.com

Project: _____ Date: _____

Location: _____

Customer: _____

Engineer: _____

Submitted By: _____

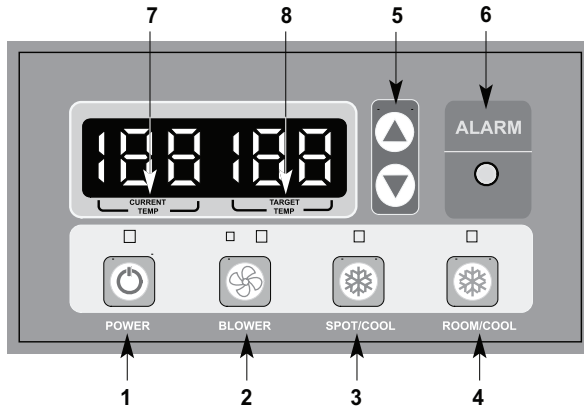
For: Reference Approval Construction

Unit Designation: _____

Schedule Number: _____

Model 6CC10-Submittal Data

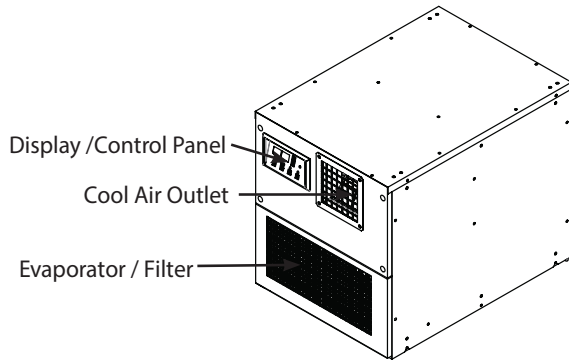
CONTROL PANEL



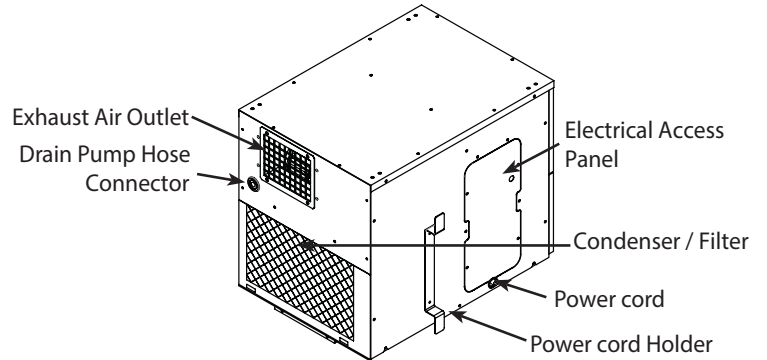
Control Panel Key Buttons:

1. Power
2. Blower
3. Spot/Cool
4. Room/Cool
5. Set Temperature
6. Alarm
7. Current Temperature
8. Target Temperature

COMPONENT PARTS

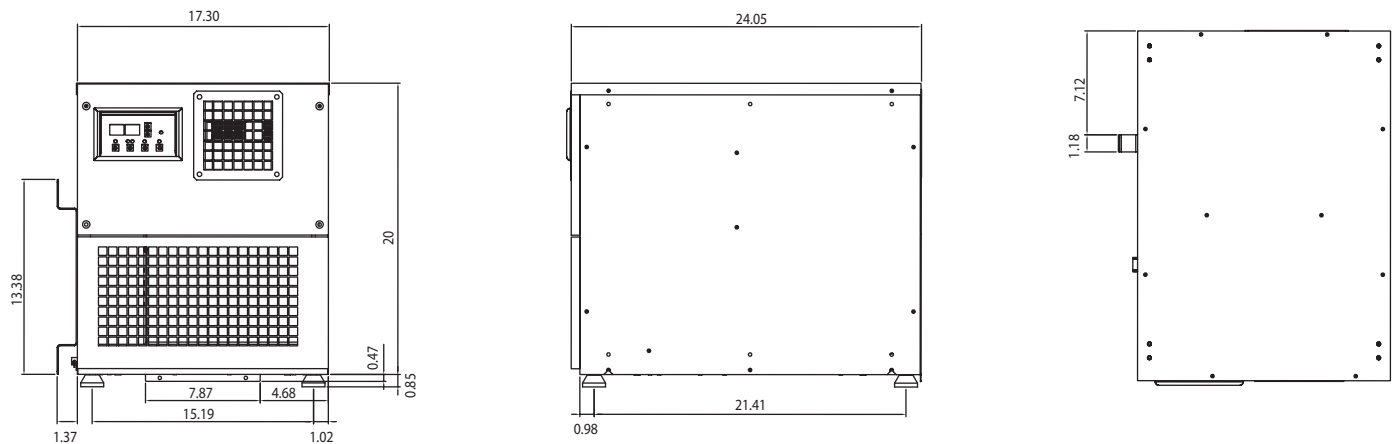


Front and Right Side View



Rear and Left Side View

DIMENSIONS (In Inches)



ASSEMBLY

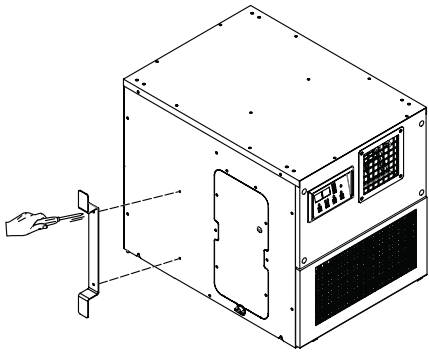


Figure 1 - power cord holder attachment.

POWER CORD HOLDER

1. Take out the cord holder from the accessory box.
2. Place the cord holder on the left side of unit.
3. Use screws (enclosed inside of accessory box with cord holder) to install the cord holder in the unit as shown in Figure 1.

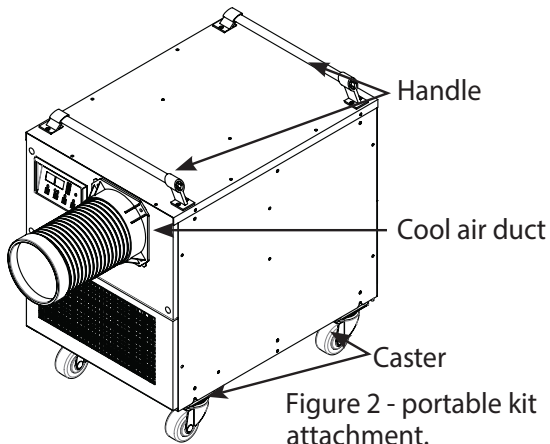


Figure 2 - portable kit attachment.

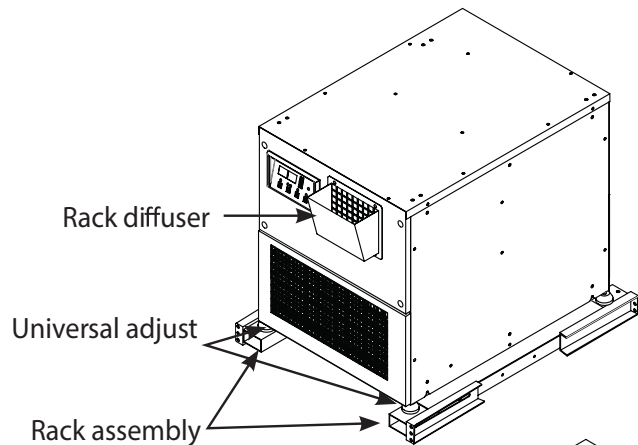


Figure 3 - server rack kit attachment.

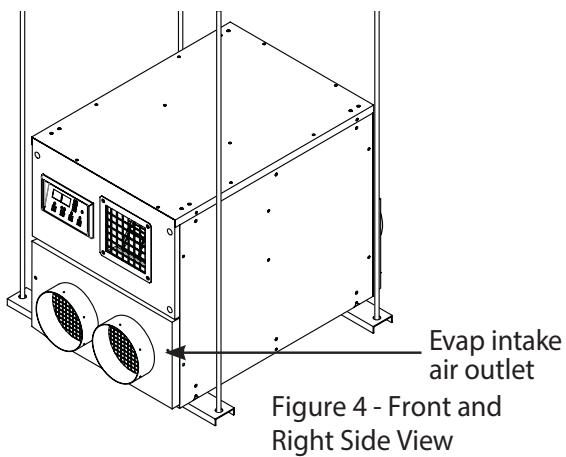


Figure 4 - Front and Right Side View

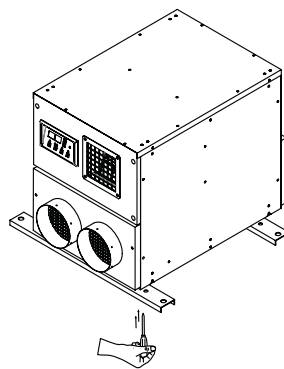


Figure 5 - hanging assembly attachment.

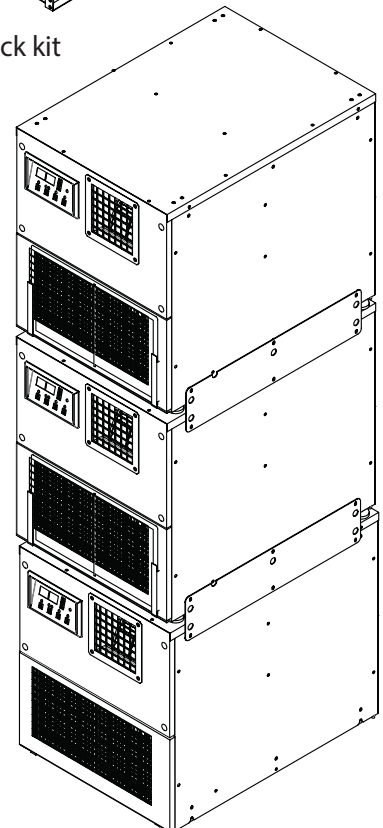


Figure 6 - 3 unit stacked application.

Model 6CC10-Submittal Data

Accessory Parts

Part Name	Part Number
16 FT Temperature sensor	KSA076-4007
Filter, Evaporator (Vinyl Chloride)	KWPCFLT-06E
Filter, Condenser (Aluminum)	KWPCFLT-07C
OPTIONAL ACCESSORIES KITS	
Stack kit includes: bracket attachment	KSA076-4014
Portable kit includes: (4) casters, handles, nozzle	KSA076-4013
Server rack kit includes: diffuser, rack attachment	KSA076-4012
Hanging kit includes: EVAP and condenser air outlet	KSA076-4015
6" Exhaust flange	81.0200.34