

PURCHASER	P.O. #	DATE
PROJECT	LOCATION	
ENGINEER	ARCHITECT	
SUBMITTED BY	FOR APPROVAL	FOR REFERENCE

ITEM	PLAN DESIGNATION	QUANTITY	COOLING BTU/H	VOLTAGE	FRIEDRICH MODEL

Features

- Precision Inverter® technology (variable speed compressor)
- Soft start compressor
- BLDC motor
- High efficiency for low operating cost
- DiamonBlue Advanced Corrosion Protection®
- Auto Clean indoor coil
- Cooling/Heating/Fan/Auto mode
- Surge Cool/Heat
- Natural air flow
- Ultra quiet operation
- Sleep mode
- Auto restart
- Auto changeover
- 24-hour on/off timer
- ENERGY STAR® qualified model
- Hidden display (only visible during operation)



MWH09Y3JA, MWH12Y3JA



WIRELESS
REMOTE CONTROL



MR09Y3JA, MR12Y3JA

OPERATION IN EXTREME CONDITIONS

- Low ambient operation down to 0° F
(Cooling mode)
- Low ambient operation down to -13° F
(Heating mode)



SPECIFICATIONS

PERFORMANCE RATINGS		Single Zone Wall-Mounted - Heat Pumps	
		9k	12k
SYSTEM MODEL NO.		HM09YJA	HM12YJA
INDOOR MODEL		MWH09Y3JA	MWH12Y3JA
OUTDOOR MODEL		MRH09Y3JA	MRH12Y3JA
SPECIFICATIONS			
CAPACITY COOLING (RATED)	Btu	9,000	12,000
CAPACITY COOLING (MIN-MAX)	Btu	3600-10000	4000-13500
CAPACITY HEATING @47°F (RATED)	Btu	10,715	12,957
CAPACITY HEATING @17°F (RATED)	Btu	6,433	8,030
CAPACITY HEATING (MIN-MAX)	Btu	3600-10500	4000-14000
COOLING AMPS		2.3	4.6
HEATING AMPS		3.4	4.8
SENSIBLE HEAT RATIO		0.85	0.85
SEER		28.0	25.0
EER		16.1	15.5
HSPF		12.5	12.0
ENERGY STAR		Yes	Yes
MOISTURE REMOVAL	Pts/h	1.90	2.54
AIRFLOW (QUIET, LOW, MED, HIGH)	CFM	416/384/355/279	598/536/446/345
SOUND RATING - INDOOR	dB-A	39/34/31/28	45/41/39/36
SOUND RATING - OUTDOOR	dB-A	55	55
OPERATING RANGE (COOLING)	°F	0°-115°	0°-115°
OPERATING RANGE (HEATING)	°F	-13°-75°	-13°-75°
EST. YEARLY OPERATING COST	\$		
ELECTRICAL DATA			
POWER SOURCE	V	208/230/60/1	208/230/60/1
MINIMUM AMPACITY	A	10A	12A
COOLING WATTS	W	560	775
HEATING WATTS	W	770	850
MAX. TD FUSE/BREAKER	A	15	15
POWER AND COMMUNICATION CABLE	No. x AWG	4 x 14	4 x 14
REFRIGERATION SYSTEM			
REFRIGERANT		R410A	R410A
COMPRESSOR TYPE		Rotary	Rotary
CONNECTIONS		Flare	Flare
LIQUID LINE O.D.	in	1/4	1/4
SUCTION LINE O.D.	in	3/8	3/8
FACTORY PRECHARGE	ft	24.6	24.6
REFRIGERANT CHARGE	oz	38.8	45.9
MIN./MAX. LINE LENGTH	ft	65.4	65.4
MAX. HEIGHT DIFFERENCE	ft	16.4	16.4
DIMENSIONS & WEIGHT			
INDOOR UNIT			
W X H X D	in	32 7/8 x 11 x 8 11/16	36 x 12 3/8 x 9 5/16
NET WEIGHT	lbs	19.8	28.6
SHIPPING WEIGHT	lbs	24.2	33.0
OUTDOOR UNIT			
W X H X D	in	31 7/8 x 23 x 11	31 7/8 x 23 x 11
NET WEIGHT	lbs	72.6	72.6
SHIPPING WEIGHT	lbs	79.2	79.2
TOTAL NET WEIGHT	lbs	92.4	101.2
TOTAL SHIPPING WEIGHT	lbs	103.4	112.2

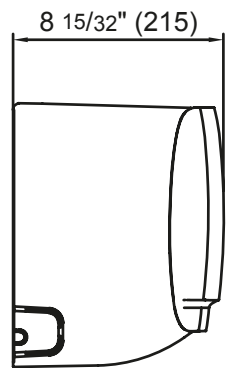
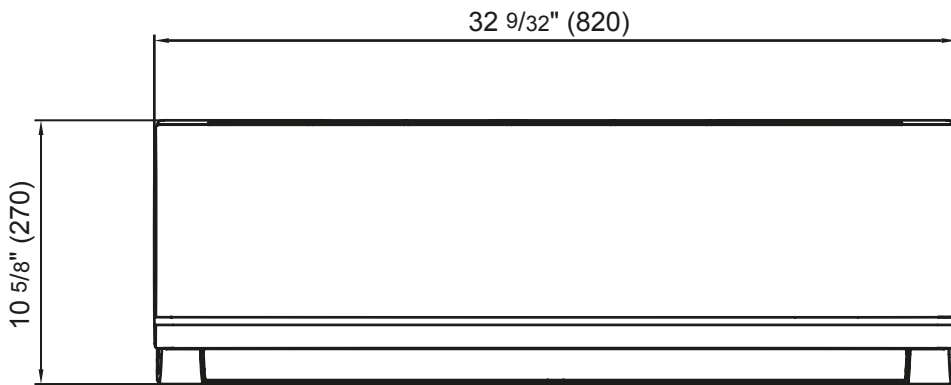
Your operating costs will depend on your utility rates and use. The estimated operating cost is based on a electricity cost of \$.12 per kWh. For more information, visit www.ftc.gov/energy.

Due to continuing research in new energy-saving technology, specifications are subject to change without notice.

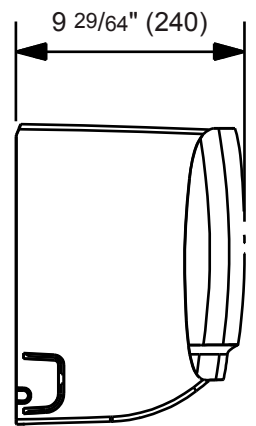
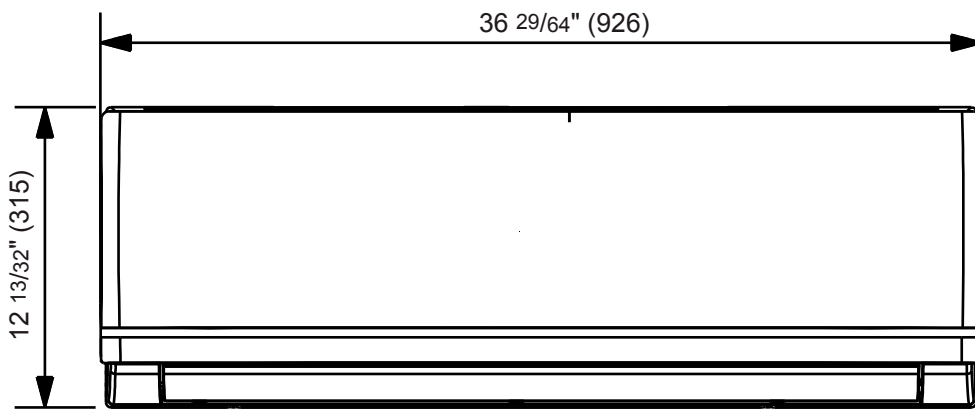


DIMENSIONAL DRAWINGS

INDOOR UNIT / MWH09Y3JA



INDOOR UNIT / MWH12Y3JA



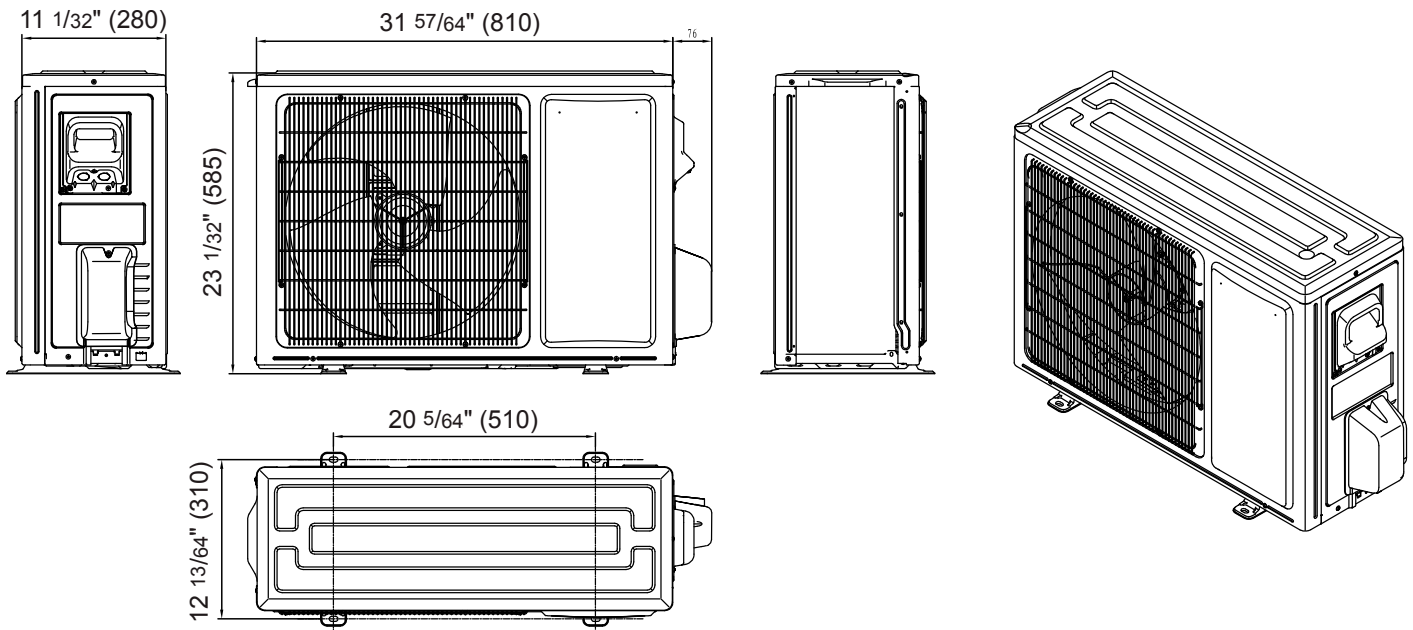
DIMENSIONAL DRAWINGS

OUTDOOR UNITS / MR09Y3J, MR12Y3J

Item No.	Part Name	Remark
1	Air Discharge Grille	
2	Gas Pipe Connection Port	
3	Liquid Pipe Connection Port	
4	Control Box	
5	Earth Screw	

Note

1. The unit is not allowed to be installed in a closed area.
2. In an area or a space having no proper air circulation, an air guide should be installed in the outdoor unit.



ACCESSORIES

REFRIGERATION LINE SETS* (Required accessory)

Kit#	Length Ft.	Liquid	Suction
T32150	15'	1/4"	3/8"
T32350	35'	1/4"	3/8"
T42150	15'	1/4"	1/2"
T42350	35'	1/4"	1/2"
T53150	15'	3/8"	5/8"
T53350	35'	3/8"	5/8"

*Insulated line sets are available for all Friedrich split systems in 15 ft. and 35 ft. lengths. Each line set is equipped with flare nuts on both ends. Both liquid and suction lines are insulated. Line sets can be joined together with field supplied double male connectors. Each system requires one line set for each indoor unit installed.

DDC1 DRY CONTACT ACCESSORY FOR J-SERIES

- Allows 3rd party thermostats
- Allows door switch or occupancy sensors



Adapter for 5/16" service valves

- Adapter is available through Friedrich parts distributors.
- All R410A models have 1/2"-20 UNF (5/16" SAE) X 1/4" SAE thread per inch charging and vacuuming ports.
- An adapter must be used for 1/4" gauges.