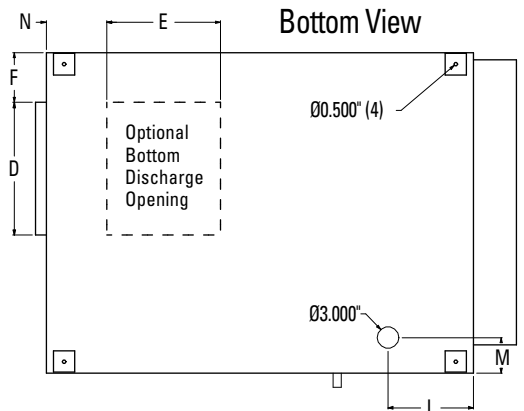
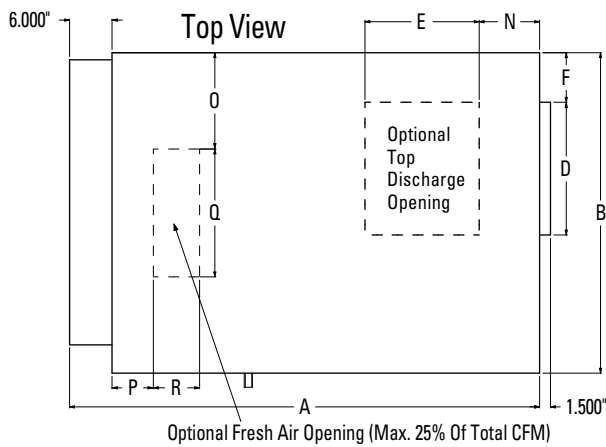
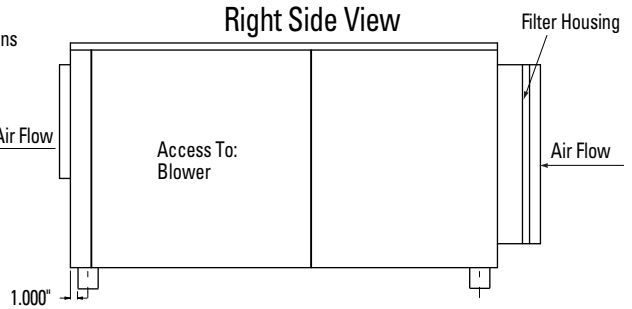
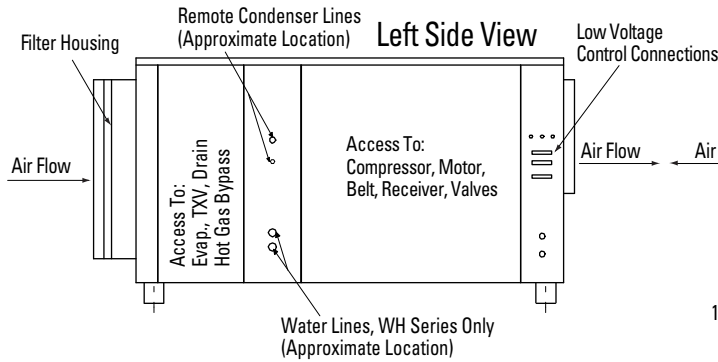
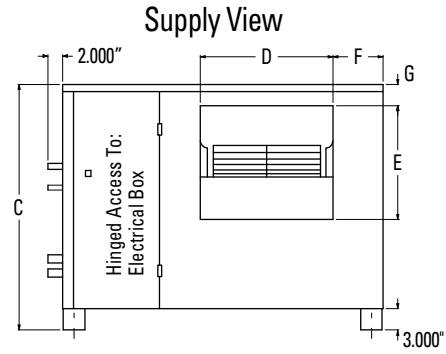
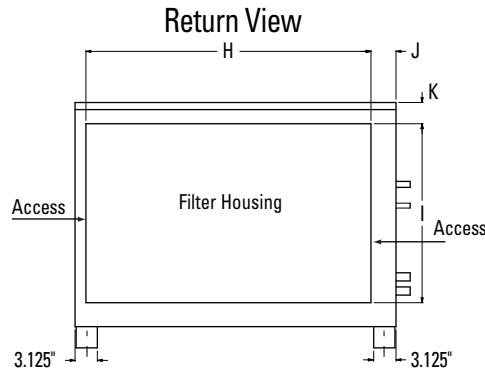


**AIR COOLED - NON WATER HEATING DEHUMIDIFIERS  
DCA 3000T, DCA 3300T**

**WATER HEATING ASSIST DEHUMIDIFIERS  
DCA 2000TWH, DCA 2500TWH**

**PHYSICAL DIMENSIONS**



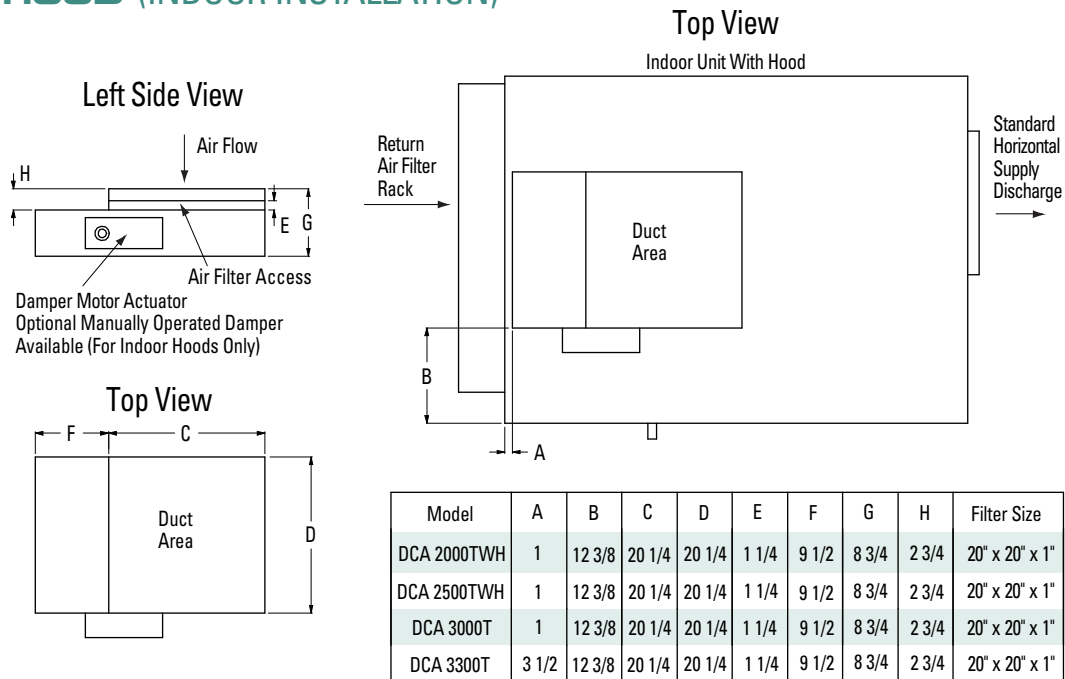
	A	B	C	D	E	F	G	H	I	J	K	L	M	N	O	P	Q	R
DCA 2000TWH	66	45	34 1/2	15 5/8	13 1/2	10	12	40	25 1/8	3 1/2	3	12	5	5	13 1/2	4 1/2	18	6 1/2
DCA 2500TWH	66	45	34 1/2	15 5/8	13 1/2	10	12	40	25 1/8	3 1/2	3	12	5	5	13 1/2	4	18	6 1/2
DCA 3000T	66	45	34 1/2	18 5/8	16	7	3	40	25 1/8	3 1/2	3	12	5	8 1/2	13 1/2	3 1/2	18	6 1/2
DCA 3300T	66	45	34 1/2	18 5/8	16	7	3	40	25 1/8	3 1/2	3	12	5	8 1/2	13 1/2	5 3/4	18	6 1/2

CAUTIONS: All dimensions in inches and are subject to change without notice.

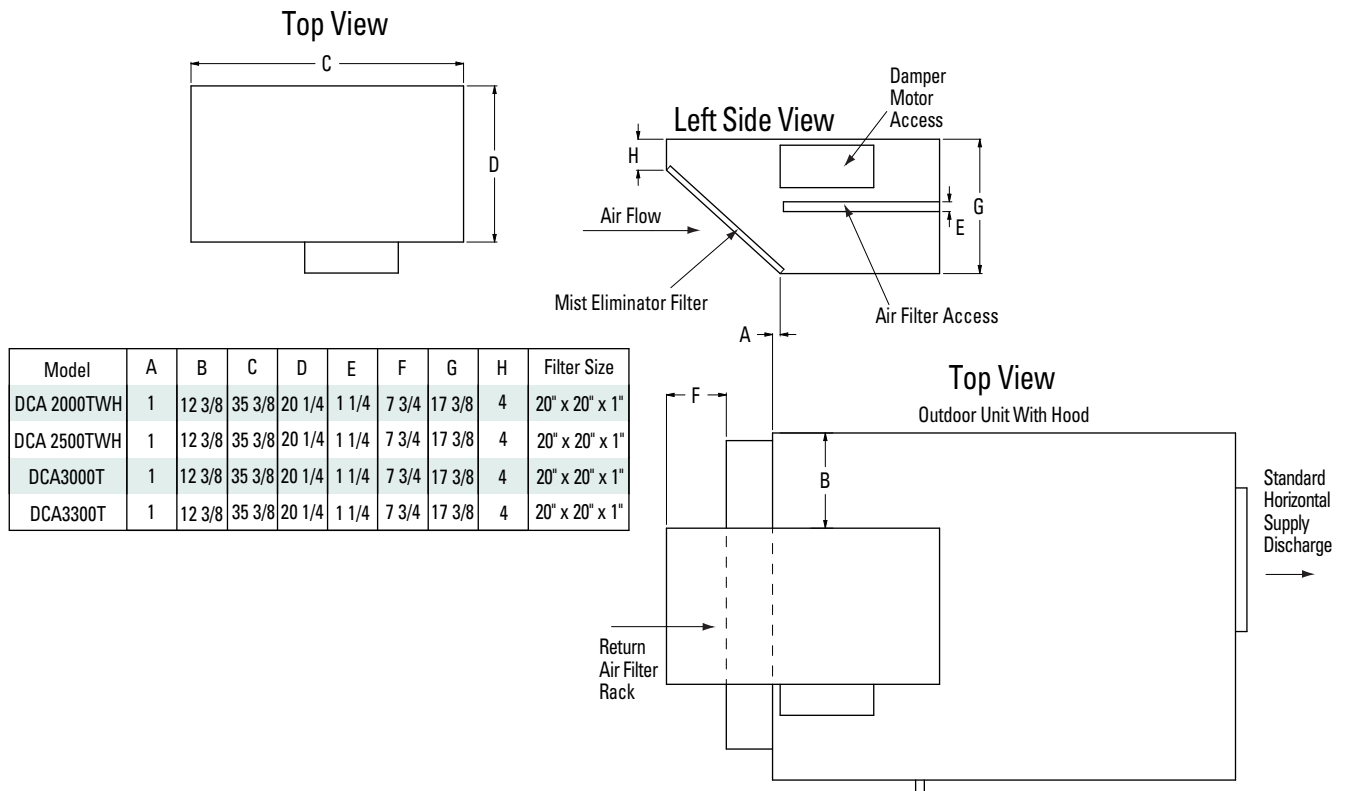
# MAKE UP AIR HOODS

**AIR COOLED - NON WATER HEATING DEHUMIDIFIERS**  
**DCA 3000T, DCA 3300T**  
**WATER HEATING ASSIST DEHUMIDIFIERS**  
**DCA 2000TWH, DCA 2500TWH**

## INDOOR HOOD (INDOOR INSTALLATION)



## OUTDOOR HOOD (OUTDOOR INSTALLATION)



CAUTIONS: All dimensions in inches and are subject to change without notice.