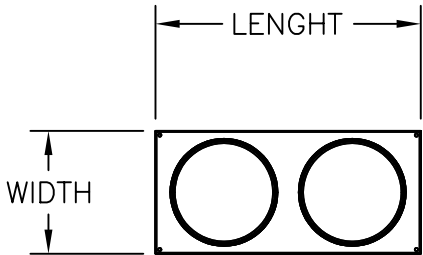
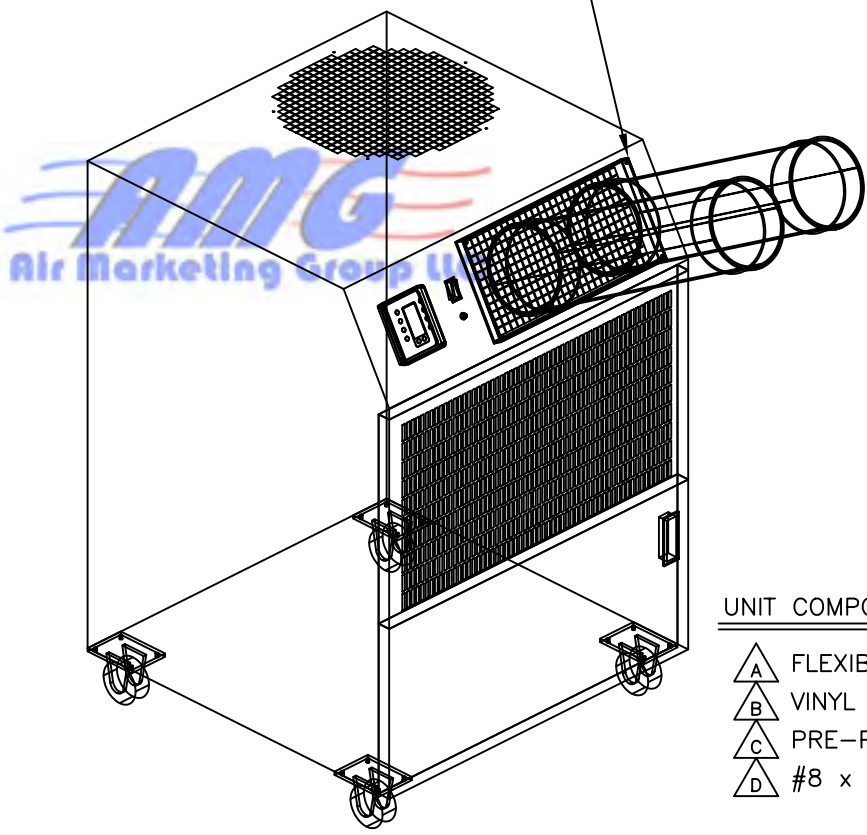
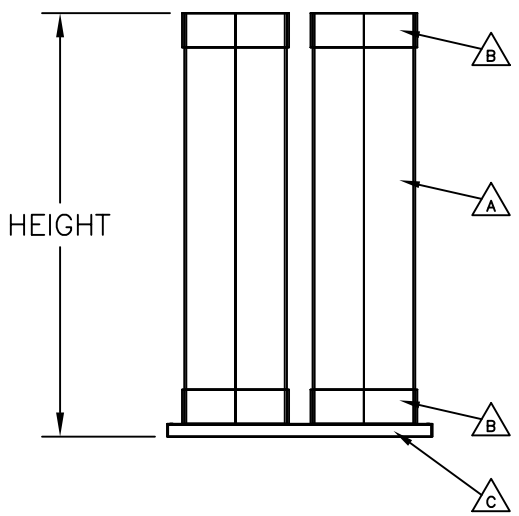


NOZZLE KIT



PART NO.	UNITS	LENGTH	WIDTH	HEIGHT	DUCT	RINGS
NK-1	TZ-10/12	10"	5"	17"	4"	4"
NK-2	TZ-18/24/36	16"	7"	25"	6"	6"
NK-3	TZ-60	28"	10"	25"	8"	8"

ATTACH MOUNTING PANEL TO UNIT USING TRUSS-HEAD SCREWS.



UNIT COMPONENTS

- FLEXIBLE KANA-DUCT DUCTWORK
- VINYL RINGS AND CAPS
- PRE-PUNCHED MOUNTING PANEL
- #8 x 1.00 TRUSS HEAD SCREWS

MATERIAL	DRAWN BY MLO	APPROVED BY	NOZZLE KIT TOPAZ AIR CONDITIONERS
SCALE 1=10	DATE 03/10/00	DATE	RUPP INDUSTRIES, INC. TEMP-AIR DIVISION
			DRAWING NO. NOZZLE-KIT