

# TZ-60A4-05

## UNIT SPECIFICATIONS:

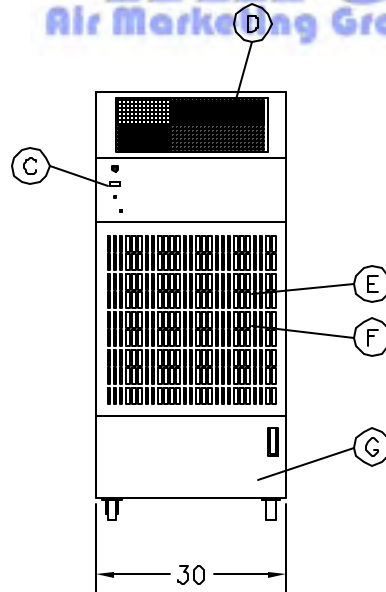
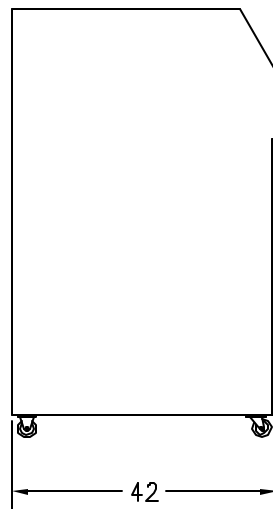
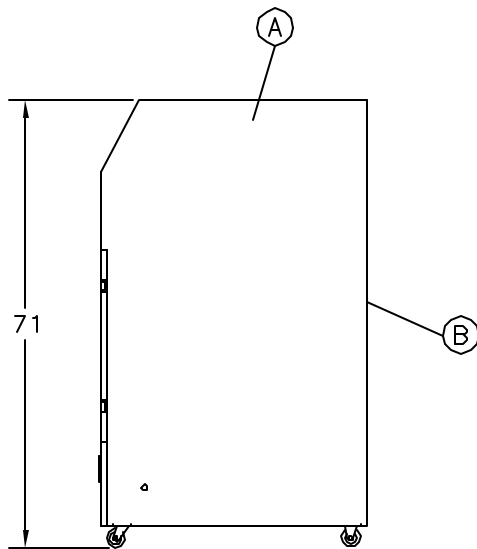
POWER SUPPLY: 460V/3PH/60Hz/20A  
AIR DELIVERY: 2,300 CFM  
CONDENSATE TANK: 5 GALLON

## DIMENSIONS:

LENGTH (IN): 42  
WIDTH (IN): 30  
HEIGHT (IN): 70  
WEIGHT (LBS): 650

## UNIT COMPONENTS:

- (A) CONDENSER EXHAUST
- (B) CONDENSER INLET
- (C) THERMOSTAT
- (D) SUPPLY AIR
- (E) RETURN AIR
- (F) SERVICE ACCESS FILTER
- (G) SERVICE ACCESS CONDENSATE TANK



DRAWN: NRS	APPROVED: DLG	DRAWING NUMBER:
DATE: 08.15.07	DATE: 04.22.02	TZ60A3-05