

TZ-18B

UNIT SPECIFICATIONS:

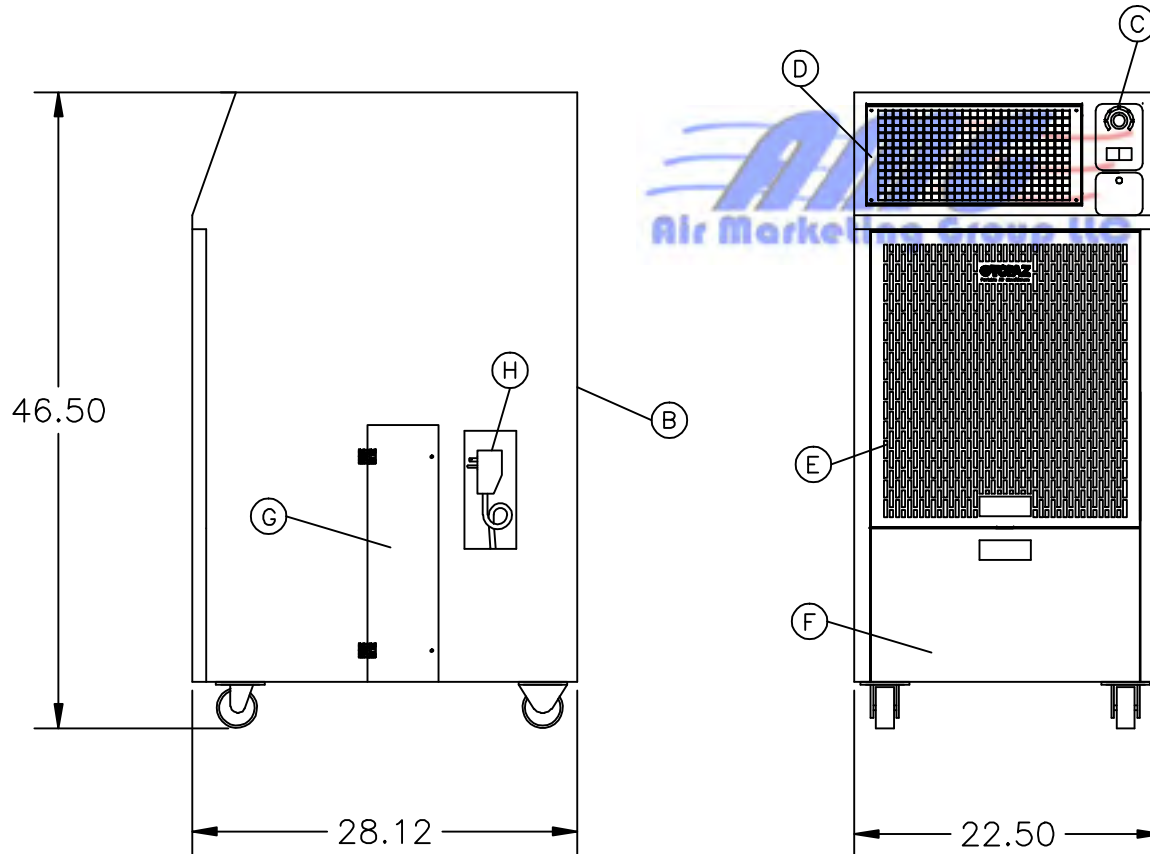
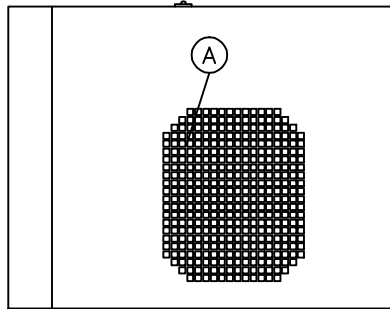
POWER SUPPLY: 115V/1PH/60Hz/15MCA
AIR DELIVERY: 500 CFM
COOLING CAPACITY 17,300 BTU
CONDENSATE TANK: 5 GALLON

DIMENSIONS:

LENGTH (IN): 22.5
WIDTH (IN): 28.12
HEIGHT (IN): 46.5
WEIGHT (LBS): 279

UNIT COMPONENTS:

- (A) CONDENSER EXHAUST
- (B) CONDENSER INLET
- (C) THERMOSTAT
- (D) SUPPLY AIR
- (E) RETURN AIR
- (F) SERVICE ACCESS CONDENSATE TANK
- (G) ELECTRICAL PANEL ACCESS
- (H) POWER SUPPLY



DRAWN: SSA

APPROVED:

DRAWING NUMBER:

DATE: 04.21.10

DATE:

TZ18B