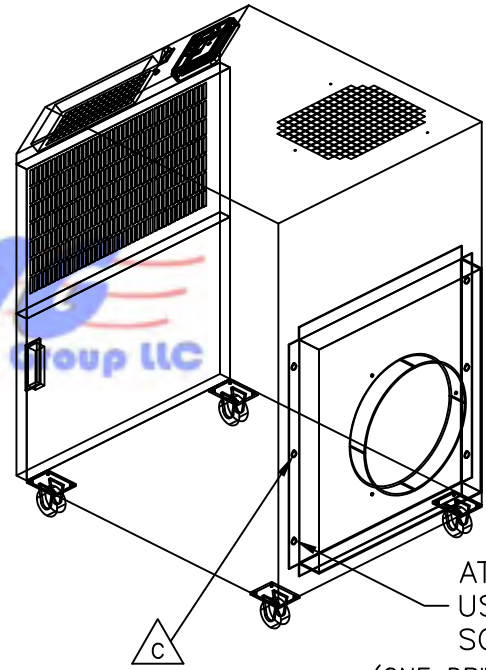
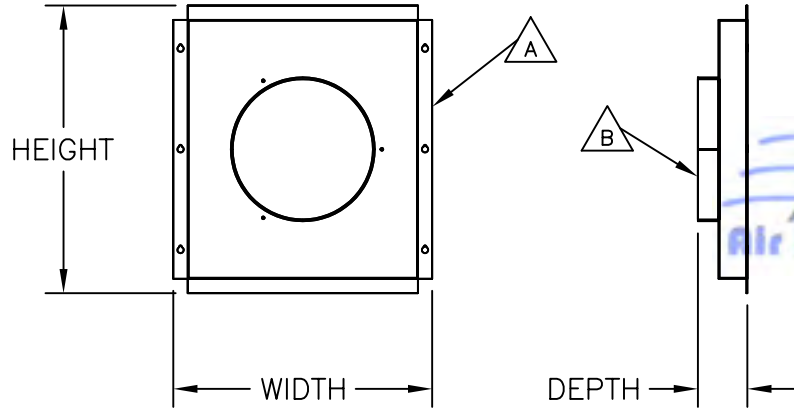




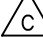
# CONDENSER RETURN AIR PLENUM

PART NO.	UNITS	LENGTH	WIDTH	DEPTH	DUCT
CP-1	TZ-10/12	20"	18"	4"	10"
CP-2	TZ-18/24	26"	26"	5"	14"
CP-3	TZ-36	32"	26"	6"	14"
CP-4	TZ-60	38"	28"	10"	20"



ATTACH PLENUM TO UNIT USING TORX T-20 TRUSS-HEAD SCREWS.  
(ONE DRIVE BIT IS INCLUDED IN KIT.)

### UNIT COMPONENTS

-  CONDENSER RETURN AIR PLENUM
-  COLLAR
-  #8 x 0.50 TRUSS-HEAD SCREWS

MATERIAL	DRAWN BY ACJ	APPROVED BY	CONDENSER RETURN AIR PLENUM TOPAZ AIR CONDITIONERS	
SCALE 1=14	DATE 03/08/00	DATE	<b>RUPP INDUSTRIES, INC.</b> TEMP-AIR DIVISION	DRAWING NO. COND-PLENUM