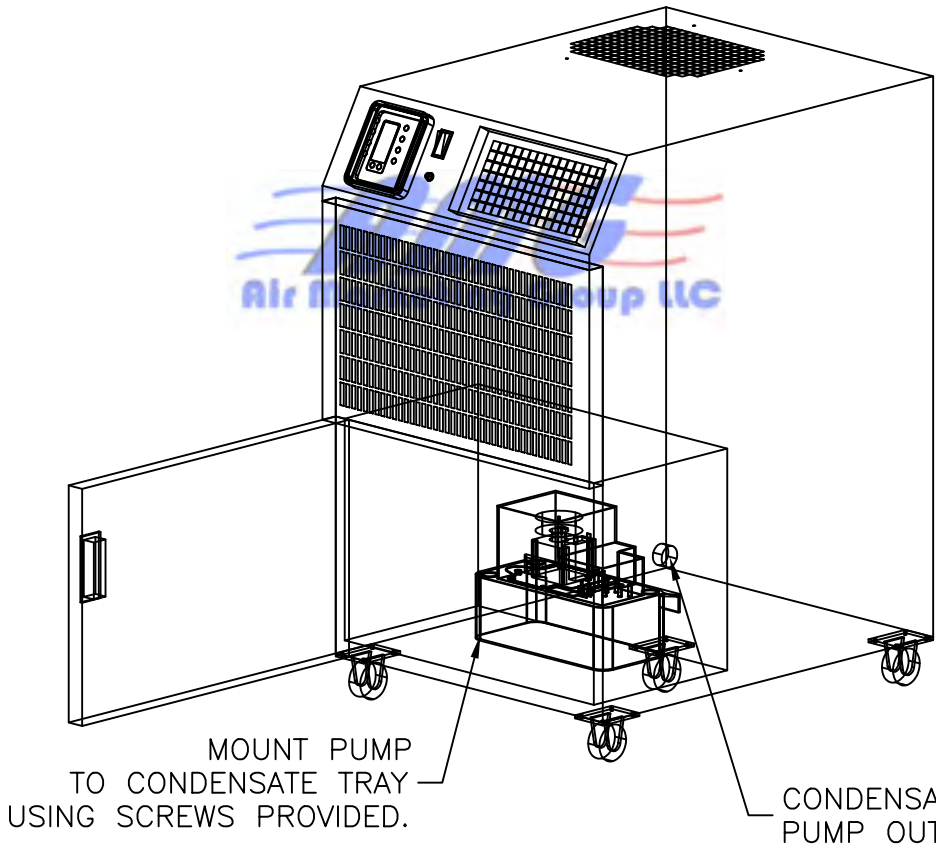
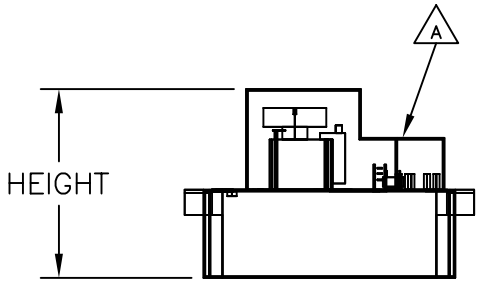
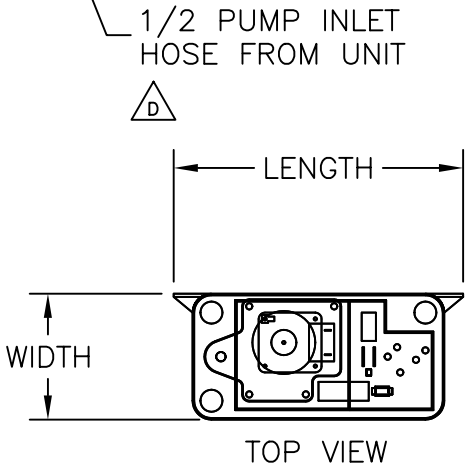
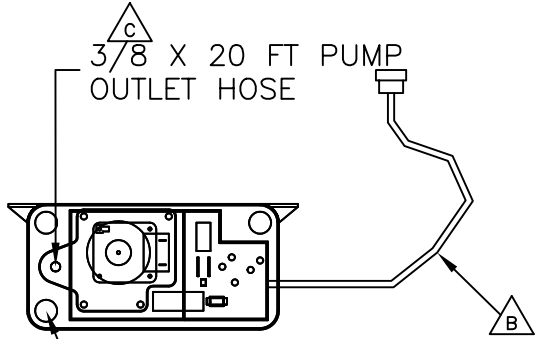


CONDENSATE PUMP

PART NO.	UNITS	LENGTH	WIDTH	HEIGHT	VOLTAGE
PC-1	TZ-10/12	12"	5"	8"	120V
PC-2	TZ-18/24	12"	5"	8"	230V
	TZ-36/60	12"	5"	8"	230V



UNIT COMPONENTS

- ▲ A CONDENSATE PUMP
- ▲ B CONDENSATE CORD
- ▲ C 3/8 X 20 FT PUMP OUTLET HOSE
- ▲ D 1/2 PUMP INLET HOSE FROM UNIT
- ▲ E #8 0.50 TRUSS-HEAD SCREWS

MATERIAL	DRAWN BY MLO	APPROVED BY	CONDENSATE PUMP TOPAZ AIR CONDITIONERS
SCALE 1=8	DATE 03/10/00	DATE	RUPP INDUSTRIES, INC. TEMP-AIR DIVISION
			DRAWING NO. CONDE.-PUMP