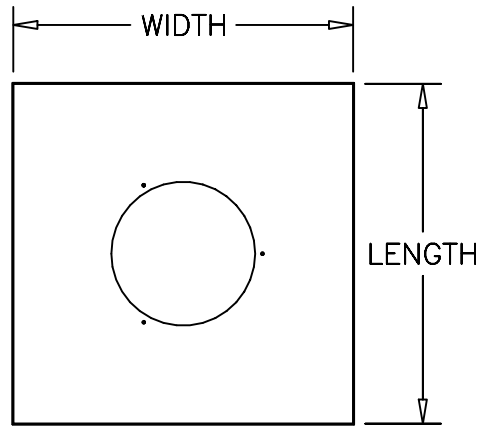
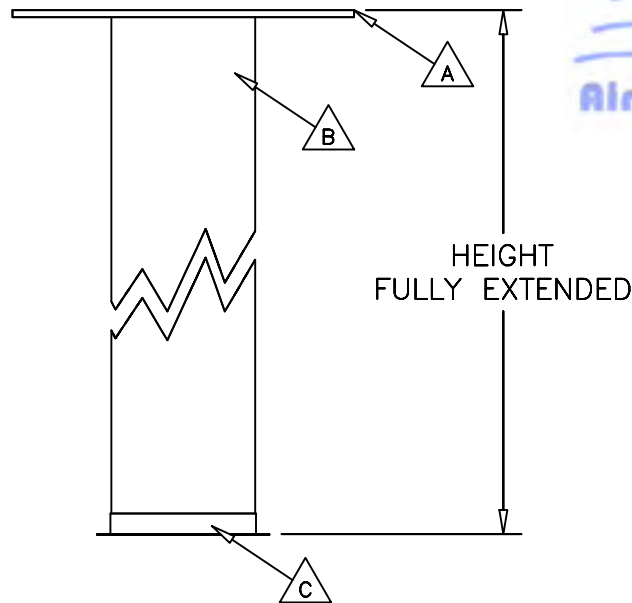


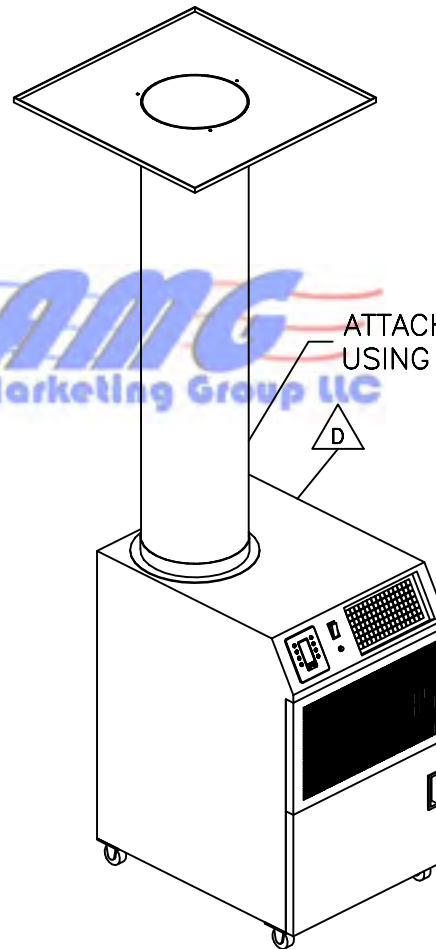
CEILING DISCHARGE KIT



PART NO.	UNITS	LENGTH	WIDTH	HEIGHT	DUCT
CK-1	TZ-10/12	24"	24"	97"	10"
CK-2	TZ-24	24"	24"	97"	14"
CK-3	TZ-18/36	24"	27"	105"	14"
CK-4	TZ-60	24"	24"	97"	20"



ATTACH COLLAR TO UNIT USING TRUSS-HEAD SCREWS.



UNIT COMPONENTS

- CEILING PANEL
- FLEXIBLE DUCT
- MOUNTING COLLAR
- #8 x 0.50 TRUSS-HEAD SCREWS

MATERIAL	DRAWN BY ACJ	APPROVED BY	CEILING DISCHARGE KIT TOPAZ AIR CONDITIONERS	
SCALE 1 = 14	DATE 03/08/00	DATE	RUPP INDUSTRIES, INC. TEMP-AIR DIVISION	DRAWING NO. CEILING-KIT