

Owner's Manual

LGR 2800i Portable Dehumidifier (F410)

LGR 3500i Portable Dehumidifier (F411)

Featuring integrated sensors and remote monitoring capability

Air Marketing Group LLC.

141 Kinderkamack Rd, Park Ridge NJ 07656

Phone: 201-782-1782 Fax: 201-782-1783 www.amgair.com

The Dri-Eaz[®] LGR i-Series dehumidifiers reduce humidity in enclosed structural environments by removing water vapor from the air. The i-Series is engineered to be rugged, durable and highly portable, making them ideally suited for water damage restoration, structural drying, construction, and other applications requiring temporary, high-performance dehumidification.

Patent Pending: 12,272,455

READ AND SAVE THESE INSTRUCTIONS

SAFETY INSTRUCTIONS



WARNING! Electric shock hazard, rotating fan, hot surface hazards. Unplug unit before opening cover for cleaning or servicing. Unit must be grounded.

- Inspect the power cord before use. If cord is damaged, do not use. Always grasp the plug (not the cord) to unplug.
- Insert three-prong plug on power cord into a matching electrically grounded outlet. Do not use adapter. Never cut off third prong. Do not use an extension cord.
- The unit must be operated on a 115V/60 Hz circuit protected by a Ground Fault Circuit Interrupter (GFCI) device.
- Keep motor and wiring dry.
- Do not attempt to repair the unit. For Authorized Service Centers, call Dri-Eaz at 800-932-3030.

BEFORE YOU BEGIN

Unpacking your unit

Retain all packing material and boxes for possible equipment returns. Find and retain the AA batteries, which must be installed before using the unit.

Installing the sensor batteries

Two AA batteries are shipped with the 2800i and 3500i to provide power to the built-in HygroTrac[®] wireless transmitter when the unit is not connected to AC power. The battery compartment is located directly under the power cord socket on the back of the unit (see Figure C). Use a flat-blade screwdriver to turn the battery compartment cover 90° counter-clockwise and remove the cover. Insert the batteries with the negative terminal in first. After inserting the batteries, secure the cover by pressing it in with the screwdriver and turning it 90° clockwise.

Warranty registration

Visit warranty.drieaz.com to register your purchase. Registration allows us to better assist you with using, maintaining or servicing your equipment, as well as to contact you in case we have important safety information concerning your Dri-Eaz product. If you determine service is required, have your equipment model, serial number and original proof of purchase available and call your distributor for assistance with obtaining a return material authorization (RMA).

CONTENTS GUIDE

Positioning a dehumidifier	2
Parts identification	3
Operating your dehumidifier	3
Maintenance	5
Transport and storage	6
Cleaning	7
System status and data messages	8
Error messages	8
Troubleshooting	9

See “HygroTrac Remote Sensing” on p. 2 for an overview of how to use the unit with the HygroTrac Remote Monitoring System (purchased separately).

INTRODUCTION

Dri-Eaz dehumidifiers reduce humidity in enclosed structural environments by removing water vapor from the air. With proper use, your dehumidifier can help dry carpet, carpet pad, floors, walls, building contents and more. Using Dri-Eaz dehumidifiers can also help prevent secondary damage caused by high humidity. For best results, use your dehumidifiers with Dri-Eaz TurboDryer airmovers placed around the perimeter of the room to distribute heat energy and release moisture from wet surfaces into the air.

How LGR dehumidifiers work

Dri-Eaz low-grain refrigerant dehumidifiers operate by pulling moist air in across a very cold evaporator core. The moisture in the air condenses on the coil. In certain conditions, the machine operates in defrost mode, warming any frost that has accumulated on the evaporator coil back into water. The water collects in a tray and is pumped out through a hose. Onboard sensors continually monitor environmental conditions and system operations of the dehumidifier, including temperature and relative humidity, which can be viewed on the display panel. The unit also transmits data to a HygroTrac gateway, which can store the information or relay it to the HygroTrac website (see below).

LGR (Low Grain Refrigerant) dehumidifiers have better heat exchange and defrost abilities than regular refrigerant dehumidifiers, and are able to continue removing moisture in drier environments.

HygroTrac remote sensing

The LGR “i-Series” dehumidifiers are equipped with HygroTrac wireless sensor technology. When used with the HygroTrac Remote Monitoring system, this technology allows the user to monitor site conditions and equipment performance in real time via the internet.

Here’s how it works. The dehumidifier transmits humidity and temperature values to a gateway placed at the jobsite. The gateway can be configured to store this data for later retrieval, or to transmit the data via an Internet connection to a secure website. Users may log on to the HygroTrac website from any computer with internet access and view, print and download a wide variety of customizable reports, charts and graphs.

Used in conjunction with additional sensors placed in the drying environment, the HygroTrac system provides an extremely accurate view of the drying environment, equipment performance and drying progress. The system can also be set to alert you via email or text

message on your cell phone if inlet or outlet conditions of the dehumidifier exceed certain parameters you have set on the HygroTrac website.

If the HygroTrac system reports a Power Off status for a unit on a job site, you will know immediately that the unit has been turned off or that the power has otherwise been interrupted. HygroTrac can be configured to automatically notify you by e-mail or text message if this occurs.

Asset tracking

When the unit is disconnected from AC power, the system will automatically go into a “Standby” mode, periodically transmitting a Standby signal. Two replaceable AA batteries provide the power for this mode of operation (see “Installing the Sensor Batteries,” p. 1).

The Standby signal can be used to confirm the location and status of your unit. A HygroTrac gateway placed in your storage area, for example, will receive Standby transmission from any 2800i and 3500i units in the vicinity and report this status to your HygroTrac website.

Data transmitted

The information collected by the system includes the temperature and relative humidity of the inlet and outlet. The HygroTrac system uses this data to calculate grain depression (the amount of moisture being removed from the air) and other important information about the unit’s operating status. The system also transmits all top level status messages. For more information, see “System status and data messages,” p. 8.

For more information about HygroTrac Remote Monitoring, please visit hygrotrac.drieaz.com or call Dri-Eaz at 800-932-3030.

POSITIONING A DEHUMIDIFIER

For best results, operate your dehumidifiers in an enclosed area, as this creates a drying chamber. Close all doors and windows that open to the outside to maximize the unit’s water removal efficiency. Also, keep traffic through the drying chamber to a minimum. Place your dehumidifier against a wall, away from obstructions, and keep it away from anything that could block airflow into and out of the unit.

For more information about creating an optimum drying environment, contact Dri-Eaz at 800-932-3030.

PARTS IDENTIFICATION

FIG. A: FRONT

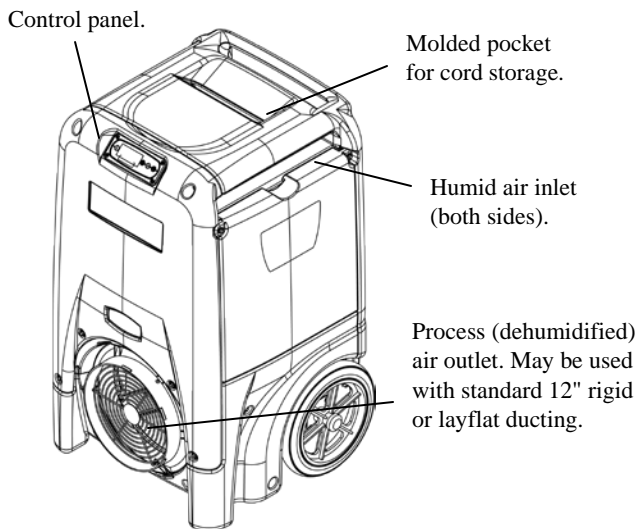


FIG. B: REAR

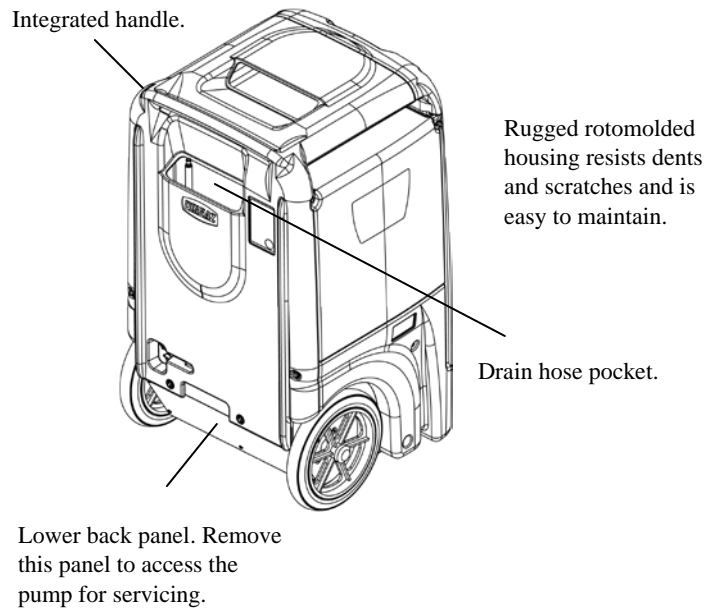


FIG. C: POWER AND PUMP ATTACHMENT POINTS

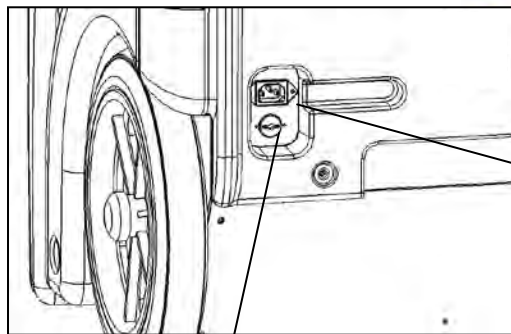
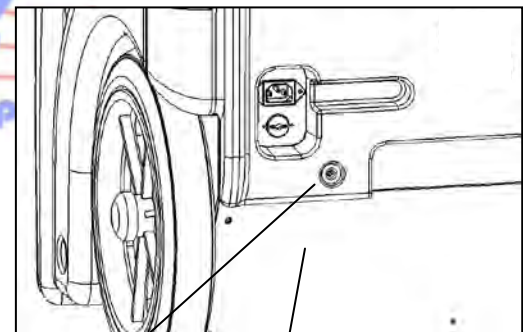


FIG. D: PUMP ACCESS PANEL



OPERATING YOUR DEHUMIDIFIER

Set unit upright

NOTICE: If you transport an i-Series dehumidifier in a horizontal position, set it upright and let it stand for at least 30 minutes before you turn it on. When the machine is horizontal, the oil from the compressor flows into the refrigerant coils reducing the ability of the dehumidifier to function. Letting the unit stand upright for

30 minutes allows the oil to flow back into the compressor.

Set up drain hose

The i-Series condensate pump connects to a plastic drainage hose that is located in the pocket on the back of the unit. This hose is equipped with a quick-connect fitting for quick attachment to the provided 40-ft. drain hose. Unwrap the entire hose and place the unattached end in a sink, drain, bucket or outside – anywhere that water can drain out safely. If you use a bucket or other

receptacle for water collection, check it regularly to prevent spills.

NOTE: Uncoil and straighten the entire drain hose. Do not leave any of part of the hose coiled on the unit and do not place the end of the hose higher than 20 ft. (6 m) above the top of the unit. Also check for kinks, or obstructions that would restrict the flow of water. Failure to do so may cause a water backup in the pump resulting in leakage.

Plug in electrical cord

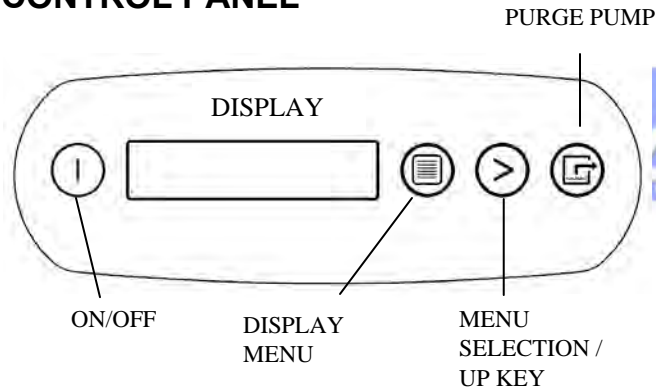
The i-Series dehumidifier should be plugged into a GFCI-protected 115 volt outlet rated for at least 15 amps. Remove the cord from its storage pocket and uncoil it. Always plug the cord firmly into the unit first, and then plug the other end into a suitable outlet.

Turn the unit on

The control panel on the i-Series dehumidifier has a display and a touchpad with four keys. Press the

① **ON/OFF** to turn the unit on.

CONTROL PANEL



How to use the control panel

The control panel on the LGR 2800i has a display and a touchpad with four keys.

① **ON/OFF.** Press the ON/OFF key to turn the unit on or off. When the machine turns on, the display normally reads PLEASE WAIT COMP. DELAY and performs a numeral count down from a maximum of 60 seconds to 0. This delay allows time for refrigerant pressures to equalize for easier starting. If you don't see a compressor delay countdown, a delay is not necessary and the machine will begin operation immediately. Once the unit completes the compressor delay, the display shows UNIT ON XX HRS and cycles between INLET XX°F and INLET XX%.

Ⓛ **DISPLAY MENU.** Press the DISPLAY MENU key to cycle through the display of additional dehumidifier conditions and User Settings. To return to the main menu, press the ON/OFF button once.

➤ **MENU SELECTION.** Press the MENU SELECTION key to change the values on the "User Defined" settings. The MENU SELECTION key acts as the UP key for adjusting the setpoint for Humidistat mode operation. See User Settings Menu (below) for details.

Ⓛ **PURGE.** Press the PURGE key to manually empty water from the condensate pump reservoir. **NOTICE:** Always press the purge key prior to moving the unit. During normal operation, the pump purges automatically every six minutes, or whenever the reservoir is full. The display will read PUMP PURGING with a numeral countdown.


Main menu display

When unit is first plugged in to AC power, the control panel display will briefly cycle through a series of displays. This is part of the unit's self-diagnosis procedure and no user intervention is required.

Once the self-diagnosis is complete, the display will show the following information:

UNIT ON 00 HRS
INLET 00°F / INLET 00% 

The first line of the display shows the total number of hours the unit has been in operation. This value may be reset to zero to track job hours (see "Job Hours Reset" below). The second line of the display alternates between inlet temperature and inlet humidity.

The i-Series wireless transmitter continuously seeks a connection with a HygroTrac gateway. When a connection is established, a wireless symbol  appears in the lower right corner of the display.

No information is presented on the display when the unit is not plugged in. However, the wireless transmitter will continue to communicate with a HygroTrac gateway. AA batteries supply power for the transmitter to send a basic "Standby" message to the gateway. This signal may be used to track the location of i-Series units in storage. See "Asset Tracking," p. 2.

User settings menu

A number of settings may be changed by the user. System information is also available. These items are accessed by pressing the Ⓛ DISPLAY MENU key. Each press of the key will display the next parameter (see list below). When you reach the parameter you wish to adjust, press the ➤ MENU SELECTION key to increase the value. Press Ⓛ DISPLAY MENU again to accept the setting and re-start the display cycle. If no keys are selected for 20 seconds the display will automatically reset and return to the normal display mode.

Note that only menu items followed by a greater-than symbol (>) may be adjusted.

**JOB HOURS
RESET? >**

Press \triangleright to reset hours to zero. NOTE: When in Humidistat mode, the unit will display HUMIDISTAT on the top line during normal operation rather than JOB HOURS.

**LIFE HOURS
00 HRS**

Shows total unit operating hours. Value cannot be modified.

**INLET OUTLET
00° 00% 00° 00%**

Shows current temperature and RH of inlet and outlet. The HygroTrac system uses these values to calculate grain depression.

**HUMIDISTAT MODE
ON/OFF >**

In ON mode, unit will maintain the humidistat setpoint (see below). Press \triangleright to toggle between ON and OFF. NOTE: When in Humidistat mode, the unit will display HUMIDISTAT on the top line during normal operation rather than JOB HOURS.

**HUMIDISTAT
SETPOINT 00% >**

Sets humidity level when unit is in Humidistat Mode (see above). Press \triangleright to change RH value at 5% increments. Settings cycle upward through 90%RH and start again at 30%RH.

**TEMP UNITS
F° >**

Shows current temperature scale. Press \triangleright to select Fahrenheit or Centigrade scale.

**LANGUAGE
ENGLISH >**

Shows current display panel language. Press \triangleright to select Spanish, German, French or English.

**COIL TEMP
00°F**

Displays the cold (evaporator) coil temperature.

**SENSOR ID >
00000000**

Shows built-in wireless transmitter number. The HygroTrac system uses this to uniquely identify your i-Series unit. NOTE: For convenience, this same number is shown on the barcode label affixed to the control panel.

Press \triangleright to cycle through the following values: **SENSOR TYPE**, **SENSOR REVISION**, and **SENSOR CONF REV**. A Dri-Eaz service technician may ask you for these values when diagnosing a problem.

**COMPRSSR CURRENT
0.0 A**

Shows compressor current draw in amps.

Error messages

If the i-Series onboard diagnostics discover a problem, the unit will display an error message. If the unit is used with the HygroTrac system, it will also transmit most error messages to the user's HygroTrac website. See "System Status and Data Messages" and "Error Messages," p. 8, for a summary of messages.

At the end of the job

As with all dehumidifiers, once the drying job is completed, it is important to make sure the unit is completely purged of water before moving it. To ensure that all water has drained into the pump, follow these steps:

1. Turn the unit off and allow the plugged in dehumidifier to rest for 10 minutes.
2. Press the **PURGE** button and while the purge pump is operating, tip the unit back approximately 45° and hold the unit in place until the purge cycle is complete. This allows any water remaining on the coils to drain down into the pump.
3. Return the unit to the upright position and press **PURGE** one more time to empty the pump. Once the purge cycle is complete, unplug the unit and remove it promptly from the job.

Before transporting, be sure to remove the external drain hose, drain it carefully, and return it to the pocket provided on the back of the unit.

MAINTENANCE

WARNING! ELECTRIC SHOCK HAZARD. Unplug the dehumidifier before performing any maintenance.

Before each use

Inspect the electrical cord for damage. Look for fraying, cuts, etc. Do not use the unit if you find any damage. Call Dri-Eaz for the nearest Service Center at 800-932-3030.

Inspect and vacuum filter as needed. The i-Series dehumidifiers are equipped with a 3M™ High Air-Flow filter. The HAF filter may be vacuumed clean and reused up to three times. **Do not rinse or wash the HAF filter,** as it will reduce the effectiveness of the electrostatic material.

Keep a clean filter in the unit at all times to protect internal components from dust and other particulate build-up. Vacuum or replace filter before each job. Replace only with a new 3M HAF Filter (Dri-Eaz part no. F421). For parts and service call your local distributor or contact the Dri-Eaz Service Department at 800-932-3030 or 360-757-7776.

CAUTION: Dust can cause the unit to overheat and shut down. Do not operate when excessive dust or airborne particles are present, such as during sanding or spray-painting. Inspect and clean air filter elements and coils frequently.

IMPORTANT: Replace the HAF filter whenever 1) it has been vacuumed clean 3 times or 2) it has been used on a mold remediation job or otherwise exposed to potentially dangerous contaminants.

Monthly

Check coils. Dirty coils can cause the unit to overheat. Clean when visibly dirty. See "Instructions for Cleaning," p. 7.

Check heat exchange block. Clean out with compressed air only. Take care not to damage the block.

Inspect and clean the pump. To remove the condensate pump unit:

1. Unplug unit and remove cord.
2. Remove the five screws that hold in the lower back metal panel and the two bolts that secure the bottom of the polyethylene back panel (see Fig. D).
3. Detach both inlet and outlet hoses from pump.
4. Remove pump mounting bracket (1 screw).
5. Rotate pump horizontally to the right, then tip upward, taking care to avoid the metal junction box above. Pull the pump out of the unit, and then disconnect the electrical cable.
5. Place the pump on a sturdy surface. Lift the white plastic pump housing upward off the black plastic water collection container. Use a soft, absorbent cloth to wipe out any debris inside the container. Replace the pump housing on the container, and make sure it is squarely seated.
6. To reinstall the pump, follow these instructions in reverse.

Annually

Have the pump system inspected by the Dri-Eaz Service Department (800-932-3030) or by a qualified service center.

TRANSPORTATION AND STORAGE

NOTICE: Handle the unit carefully. Do not drop, throw, or place the unit where it could fall. Rough treatment can damage this equipment and may create a hazardous condition or void warranty.

IMPORTANT: Be sure to purge the water from the pump reservoir before moving the unit. See the PURGE function under "How to use the control panel" on p. 4. Note that the unit must be plugged in for the Purge function to operate.

1. Do not expose the control panel to moisture, snow or rain when transporting in uncovered vehicles such as flatbed trucks.
2. Store and transport securely to avoid any damaging impact to internal parts.



CLEANING

Warning! Unplug unit before servicing.

To help keep the unit operating efficiently, keep the coils and the air-to-air heat exchange block clean. These components are easily accessed by removing the side and rear covers of the unit as described below:

1. Unplug unit.
2. Unplug the power cord from the socket at the base of the unit. Remove pump hose at quick-connect.
3. Remove HAF filter.
4. Remove both side covers A and B (unscrew two bolts shown for each panel).
5. Remove back cover (unscrew the four bolts shown on the back and the two bolts on the upper front panel).
6. Remove the heat exchange block.

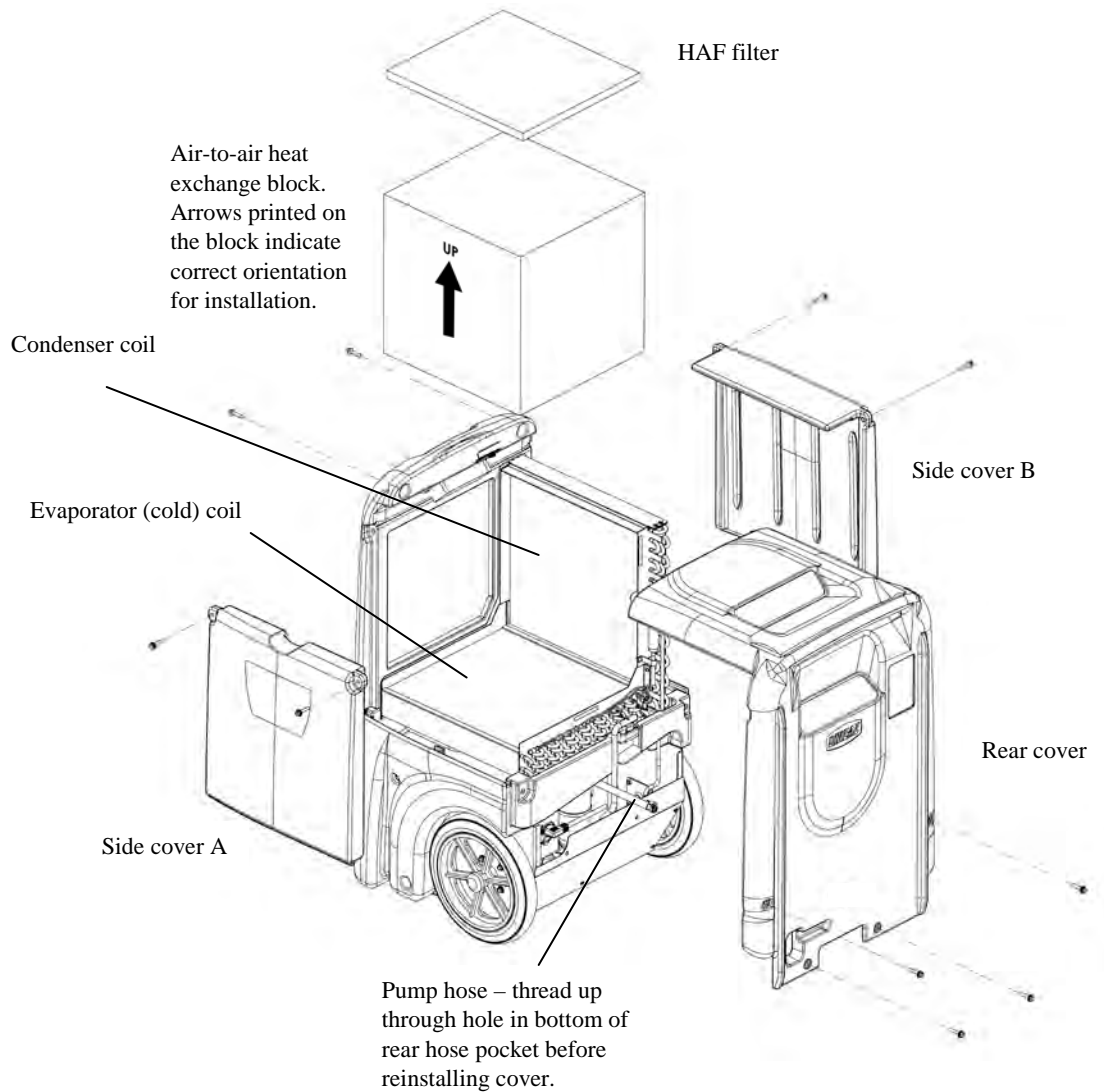
Inspect the heat exchange block carefully. If necessary, use compressed air to clear the channels of the block, taking care not to damage the block.

NOTICE: The unit is fitted with sensitive electronic sensors. Protect the sensors from impact and do not expose them to water or cleaning solution.

Vacuum or use compressed air on both sides of the upright (condenser) coil until it is clean. Take care not to let the nozzle touch the fins; as this may damage the fins.

NOTICE: Dri-Eaz Coil Cleaner (Dri-Eaz part no. S402) may be used on the horizontal cold (evaporator) coil only. Follow instructions on product label. Take care not to spray or wipe Coil Cleaner on or near any electrical

FIG. E: CLEANING



components or sensors. To clean the vertical (condenser) coil, contact Service for instructions.

To reassemble, follow the above steps in reverse. Be sure to reinstall heat exchange block in the original orientation. When installing the rear cover, carefully thread the pump hose through the hole in the back pocket before putting the cover in place.

NOTICE: Rubber strips are attached to the outside edges of the evaporator and condenser coils to provide an airtight seal around the heat exchange block. When reinstalling the block, make sure the seals are in place and are not kinked or folded.

SYSTEM STATUS AND DATA MESSAGES

The table below is a summary of status and data messages produced by the i-Series dehumidifiers. The left column shows the messages that appear on the control panel display. The center column shows the messages that are relayed to the HygroTrac remote monitoring system and displayed on the HygroTrac website. The HygroTrac website will also display one of three status messages for each i-Series unit detected by a HygroTrac gateway: S for standby (the unit is disconnected from AC power but the wireless transmitter is working properly), A for active (the unit is sending normal data and status messages), or I for inactive (the unit is sending no messages).

	CONTROL PANEL MESSAGE	HYGROTRAC WEBSITE MESSAGE	EXPLANATION
SYSTEM STATUS	UNIT ON 00 HRS	Dehumidifier On	Normal operation.
	UNIT ON 00 HRS DEFROST CYCLE	In Defrost Mode	Normal operation. Unit is in defrost mode. No action required.
	OFF	Dehumidifier Off AC power present.	Unit is turned off. AC power present.
	UNIT ON 00 HRS POWER FAILURE>	Dehumidifier Restarted after Power Failure	Unit experienced a power failure but has successfully restarted.
	HUMIDISTAT INLET XXX°F	Humidistat Controlled	Humidistat mode is active and dehumidifier energized.
	HI TEMP CYCLE REMAINING 00 MIN	In High Temp mode	LGR 2800i only. Normal operation. Unit has detected higher ambient temperatures and switched modes to operate more efficiently. No action required.
	[display is blank]	Stand-by Mode	No AC power. Wireless transmitter functioning normally. No action required.

ERROR MESSAGES

The table below shows error message that the system may detect. If the display shows an “ER” message, first unplug the unit and then plug it back in. This may re-set the electronics, and if so, no further action is required. If the error message reappears, try the solution shown under “Explanation.” If this still does not fix the problem, contact your local authorized service center or the Dri-Eaz Service Department at 800-932-3030.

	CONTROL PANEL MESSAGE	HYGROTRAC WEBSITE MESSAGE	EXPLANATION
SYSTEM ERROR	ER1 CONTACT SERVICE CENTER	Failure: Contact Service Center	Check AC power for inadequate voltage. The electronic control panel may require replacement. Contact service.
	ER2 CONTACT SERVICE CENTER	Failure: Contact Service Center	The electronic control panel may require replacement. Contact service.
	ER3 CONTACT SERVICE CENTER	Failure: Contact Service Center	Check defrost sensor for proper connection. Check sensor cable for damage. Sensor assembly may need replacement. Contact service.
	ER4 √ DEFROST SENSOR CONNECT – or – ER4 √ OUTLET SENSOR CONNECT	Check Sensor Connections	Check defrost sensor for proper connection. Check sensor cable for damage. Sensor assembly may need replacement. Contact service.

ER5 ✓ SENSOR CONNECTION ON BD	Check Temp/RH Sensor Connections	Check temp/RH sensor connections.
ER6 CONTACT SERVICE CENTER	Failure: Contact Service Center	The high voltage board may need replacing. Contact service.
ER7 INVALID MODEL SETTING	Failure: Contact Service Center	Incorrect DIP switch settings or firmware version for that specific model. Contact service.
ER8 BUTTON STUCK ✓ ALL BUTTONS	Dehumidifier Off. Button Stuck on Controller	Press each membrane button and check for proper operation. Membrane overlay may require replacement. Contact service.
ER9 PUMP BLOCKED ✓ CHECK PUMP & HOSE	Dehumidifier Off: Check Hose and Pump	Check for obstructions in drain hose. Check the pump.

TROUBLESHOOTING

FAULT	CAUSE	SOLUTION
Unit does not operate	No power to machine. Unit not switched on.	Plug in unit; check power at outlet and at base of unit. Switch unit on.
Blower wheel not turning	Obstructed blower.	Remove duct ring and grill. Remove obstruction. Replace duct ring and grill.
Unit operating, but room not dry	Not enough time to dry. Poor air movement in room. Excessive moist air infiltration.	Allow more time for drying. Increase air movement with air movers. Reduce infiltration.
Unit collects too little water	Room air is dry. Room temperature is too low.	Check humidity with hygrometer. Increase room temperature. Check filter and coils; clean as necessary.

If the problem you are experiencing is not listed here, call your local distributor or contact our Service Department toll-free at 800-932-3030 for further assistance.

SPECIFICATIONS

Model	LGR 2800i F410	LGR 3500i F411
Weight	165 lbs 75 kg	165 lbs. 75 kg
Dimensions (H × D × W)	48.5 × 23 × 24 in. 123 × 58 × 61 cm	48.5 × 23 × 24 in. 123 × 58 × 61 cm
Power	8 amps, 115 volts	10.5 amps, 115 volts
Water removal AHAM (80°F/60% RH)	130 pts. 61.5 liters / day	170 pts. 80.4 liters / day
Water removal max. (90°F/90% RH)	200 pts. 94.6 liters / day	240 pts. 113.6 liters / day
Water removal 80°F /20% RH		22 pts. 10.4 liters / day
Max process air	400 CFM 679.7 CMH*	400 CFM 679.7 CMH*

Air filter	3M HAF filter (part no. F421)	3M HAF filter (part no. F421)
Power cord	Detachable 25 ft. 7.6 m	Detachable 25 ft. 7.6 m
Construction	Rotomolded shell	Rotomolded shell
Safety	ETL certified to UL 474 and CSA 22.2 no. 92	ETL certified to UL 474 and CSA 22.2 no. 92
Specifications are subject to change without notice. Some values may be approximate. *Automatic variable speed for optimized performance.		

Warranty information is available at www.dri-eaz.com. MICROBAN® is a registered trademark of Microban Products Company.

Air Marketing Group LLC

Manual para el usuario **Deshumidificador Portátil LGR 2800i (F410)** **Deshumidificador Portátil LGR 3500i (F411)** **con sensores integrados y control a distancia**

5 Jf'AUf_YHb[]; fci d'@@"
11 FÁŠā ā^:\æ æš ÅJāÅJæ\ ÅJæ*^ÅRÁĪ ĨĨ
Teléfono: 0000 0000 G Fax: 0000 0000 H www.æf *æš.com

La serie de deshumidificadores Dri-Eaz® LGR iSeries reduce la humedad en ambientes cerrados eliminando el vapor de agua que se encuentra en el aire. El modelo iSeries está creado de modo que sea resistente, duradero y fácil de transportar, características que lo convierten en un elemento sumamente adecuado para la reparación de daños causados por el agua, el secado de estructuras, la construcción y otros usos para los que se necesita temporalmente un deshumidificador de alto rendimiento.

Patente en trámite: 12,272,455

LEA Y GUARDE ESTAS INSTRUCCIONES

INSTRUCCIONES DE SEGURIDAD



¡ADVERTENCIA! Peligro de sufrir una descarga eléctrica, lastimarse con el ventilador rotatorio, quemarse con una superficie caliente. Desenchufe la unidad antes de abrir la tapa para limpiarla o repararla. La unidad debe tener descarga a tierra.

- Controle el cable de alimentación antes de usar. Si está dañado, no lo use. Para desenchufar el aparato, tire siempre del enchufe (nunca del cable).
- Coloque el enchufe de tres clavijas que está en el extremo del cable de alimentación en un tomacorriente con descarga a tierra adecuado. No use adaptadores. Nunca corte la tercera clavija. No use cables prolongadores.
- La unidad debe utilizarse en un circuito eléctrico de 115 V/60 Hz, protegido por un interruptor del circuito de fallos de conexión a tierra (GFCI, por sus siglas en inglés).
- Mantenga el motor y los cables secos.
- No intente reparar la unidad. Para conocer los Centros de Servicio Técnico Autorizados, llame a Dri-Eaz al 800-932-3030.

ANTES DE COMENZAR

Cómo desembalar la unidad

Conserve todo el material de embalaje y las cajas por si tiene que devolver el equipo. Busque y reserve las pilas AA, ya que debe colocarlas antes de usar la unidad.

Cómo colocar las pilas del sensor

Cuando el deshumidificador no está conectado a la corriente alterna, las dos pilas AA que acompañan al modelo 2800i y 3500i son la fuente de energía del transmisor inalámbrico HygroTrac®, que viene incorporado en el equipo. El compartimento para las pilas está ubicado justo debajo de la entrada del cable de alimentación, en la parte de atrás de la unidad (vea la Figura C). Use un destornillador de punta plana para girar la tapa del compartimento de las pilas 90° en sentido contrario a las agujas del reloj y quítela. Cuando coloque las pilas, introduzca primero el terminal negativo. Una vez colocadas, asegure la tapa presionándola con el destornillador y girándola 90° en el sentido de las agujas del reloj.

Registro de la garantía

Visite warranty.drieaz.com para registrar su compra. El registro nos permite brindarle mejor asistencia en el uso, el mantenimiento o la reparación de su equipo, y también comunicarnos con usted en caso de que tengamos información de seguridad importante sobre su producto de Dri-Eaz. Si considera que su producto necesita reparación, tenga a mano el modelo del equipo, el número de serie y el comprobante de compra original, y llame a su distribuidor para que lo ayude a obtener una autorización para devolver el producto (RMA, por sus siglas en inglés).

ÍNDICE

Dónde colocar un deshumidificador	13
Identificación de las partes	14
Cómo usar su deshumidificador	14
Mantenimiento	17
Transporte y almacenamiento	17
Limpieza	19
Mensajes de datos y estado del sistema .	20
Mensajes de error	20
Detección de problemas	21

Consulte "Sensor a distancia HygroTrac" (página 12) para obtener información general sobre cómo usar la unidad con el Sistema de Control a Distancia HygroTrac (adquirido por separado).

INTRODUCCIÓN

Los deshumidificadores Dri-Eaz reducen la humedad en ambientes cerrados eliminando el vapor de agua que se encuentra en el aire. Si se usa correctamente, el deshumidificador puede ayudar a secar alfombras, almohadillas para alfombras, pisos, paredes, elementos en el interior de una propiedad y más. También puede ayudar a prevenir daños secundarios causados por el exceso de humedad. Para obtener mejores resultados, cuando use los deshumidificadores, coloque ventiladores TurboDryer de Dri-Eaz alrededor del perímetro de la habitación, a fin de distribuir la energía térmica y hacer que la humedad de las superficies mojadas se pierda en el aire.

Cómo funcionan los deshumidificadores LGR

Los deshumidificadores refrigerantes de grano bajo (LGR, por sus siglas en inglés) de Dri-Eaz hacen que el aire húmedo atraviese un evaporador muy frío. La humedad del aire se condensa en el serpentín. En determinados momentos, la máquina funciona en modo "descongelación", ya que calienta la escarcha acumulada en el serpentín del evaporador y la convierte nuevamente en agua. El agua se acumula en un recipiente y se elimina por una manguera. Los sensores integrados controlan permanentemente las condiciones ambientales y las operaciones del sistema del deshumidificador, incluidas la temperatura y la humedad relativa, que pueden observarse en la pantalla de visualización. La unidad también transmite información a una pasarela de HygroTrac, que puede almacenar la información o retransmitirla a la página web de HygroTrac (vea abajo).

Los deshumidificadores refrigerantes de grano bajo (LGR) poseen una mayor capacidad de intercambio de calor y de descongelación que los deshumidificadores refrigerantes normales; asimismo, pueden seguir eliminando humedad en ambientes más secos.

Sensor a distancia HygroTrac

Los deshumidificadores LGR i-Series están equipados con la tecnología de sensores inalámbricos HygroTrac. Cuando se usa con el Sistema de Control a Distancia HygroTrac, esta tecnología permite que el usuario controle las condiciones del lugar y el rendimiento del equipo en tiempo real vía Internet.

Funciona así: el deshumidificador transmite los valores de humedad y temperatura a una pasarela ubicada en el lugar de trabajo. La pasarela puede configurarse para almacenar estos datos y recuperarlos más adelante, o para transmitirlos por Internet a una página web segura. Los usuarios pueden ingresar en la página web de HygroTrac desde cualquier computadora con acceso a Internet y mirar, imprimir y descargar una amplia variedad de informes, cuadros y gráficos que pueden personalizarse.

Si se usa en combinación con sensores adicionales colocados en el lugar que debe secarse, el sistema HygroTrac permite ver con total exactitud dicho lugar, así como el rendimiento del equipo y el progreso del secado. El sistema también puede configurarse para que le avise por correo electrónico o mensaje de texto a su teléfono móvil si las condiciones de entrada o salida del deshumidificador exceden determinados parámetros que usted estableció en la página web de HygroTrac.

Si el sistema HygroTrac informa que hay un corte de energía en una unidad de un lugar de trabajo, usted sabrá de inmediato que la unidad ha sido apagada o que se ha interrumpido la energía de algún otro modo. Si esto ocurre, HygroTrac puede configurarse para que se lo notifique automáticamente por correo electrónico o mensaje de texto.

Rastreo de activos

Cuando la unidad se desconecta de la corriente alterna, el sistema se pondrá automáticamente en modo "espera" y enviará periódicamente una señal de espera. Este modo de operación recibe la energía de dos pilas AA reemplazables (vea "Cómo colocar las pilas del sensor", en la página 11).

La señal de espera puede usarse para confirmar la ubicación y el estado de su unidad. Por ejemplo, una pasarela de HygroTrac colocada en su zona de almacenamiento recibirá señales de espera de cualquier unidad 2800i y 3500i cercana e informará este estado a su página web de HygroTrac.

Información transmitida

La información que recoge el sistema incluye la temperatura y la humedad relativa de la entrada y la salida. El sistema HygroTrac utiliza esta información para calcular la disminución de granos (la cantidad de humedad que se elimina del aire) y demás información

importante sobre el estado de funcionamiento de la unidad. El sistema también transmite todos los mensajes de estado del primer nivel. Para obtener más información, consulte "Mensajes de datos y estado del sistema", en la página 20.

Para obtener más información sobre el Sistema de Control a Distancia HygroTrac, visite hygrotrac.drieaz.com o llame a Dri-Eaz al 800-932-3030.

DÓNDE COLOCAR UN DESHUMIDIFICADOR

Para obtener mejores resultados, utilice su deshumidificador en un espacio cerrado, lo que permite crear una cámara de secado. A fin de aumentar al máximo la eficacia de la unidad para eliminar el agua, cierre todas las puertas y ventanas que den al exterior. Además, trate de que el tránsito dentro de la cámara de secado sea mínimo. Coloque su deshumidificador contra una pared, lejos de cualquier elemento que lo obstruya, y manténgalo alejado de cualquier objeto que pueda bloquear el flujo de aire que entra y sale de la unidad.

Para obtener más información sobre cómo crear un ambiente de secado óptimo, llame a Dri-Eaz al 800-932-3030.



IDENTIFICACIÓN DE LAS PARTES

FIG. A: PARTE DELANTERA

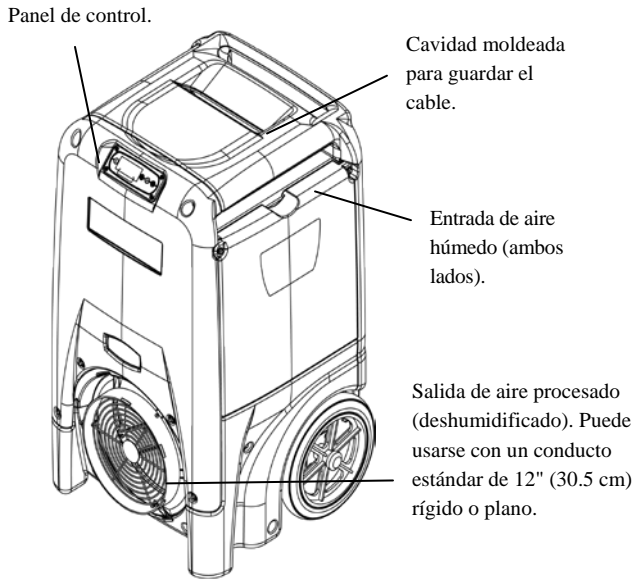


FIG. B: PARTE TRASERA

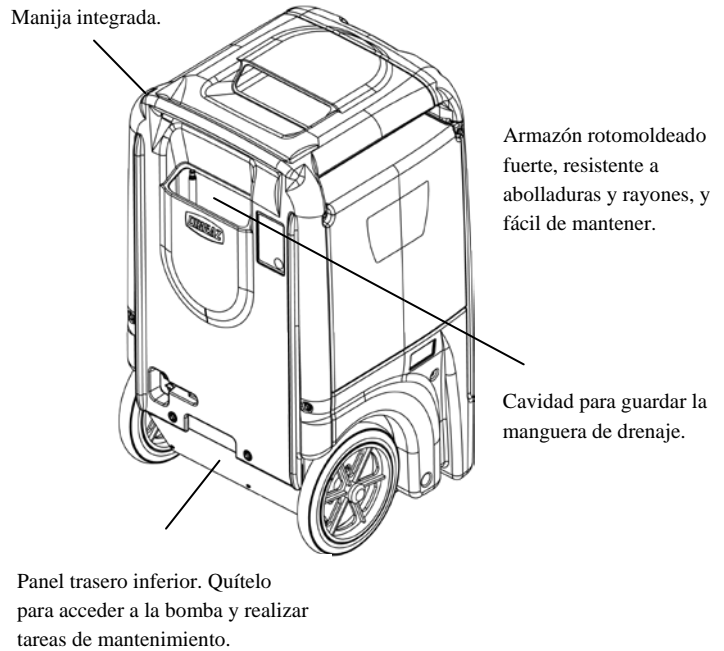
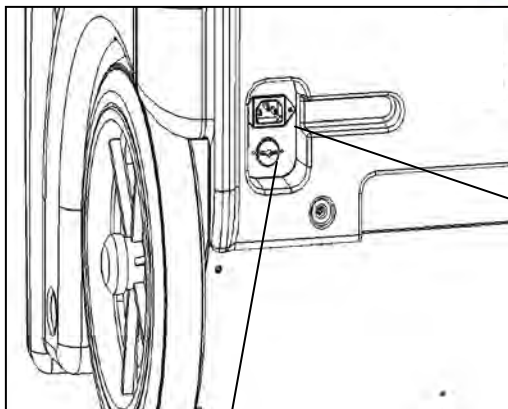
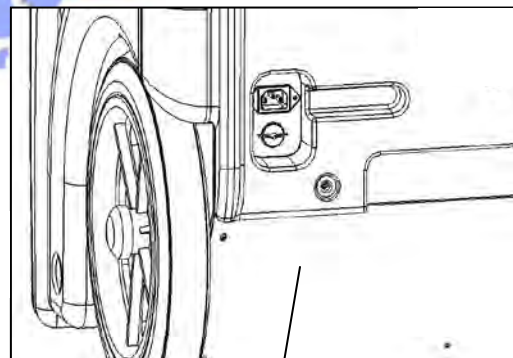


FIG. C: PUNTOS DE CONEXIÓN DE LA BOMBA Y LA ENERGÍA



Compartimento para pilas AA, las cuales proporcionan energía al transmisor inalámbrico HygroTrac cuando la unidad está desenchufada.

FIG. D: PANEL DE ACCESO A LA BOMBA



Parte inferior del armazón trasero de polietileno. Quite los dos pernos para sacar la bomba y limpiarla.

CÓMO USAR SU DESHUMIDIFICADOR

Coloque la unidad en posición vertical

AVISO: Si transporta un deshumidificador i-Series en posición horizontal, enderézelo y déjelo en posición vertical durante al menos 30 minutos antes de prenderlo. Cuando la máquina está en posición horizontal, el aceite del compresor fluye hacia los serpentines refrigerantes, lo que disminuye la capacidad de funcionamiento del deshumidificador. Dejar la unidad

en posición vertical durante 30 minutos permite que el aceite vaya nuevamente hacia el compresor.

Coloque la manguera de drenaje

La bomba de condensado del modelo i-Series se conecta a una manguera de drenaje plástica, ubicada en la cavidad de la parte de atrás de la unidad. Dicha manguera incluye un adaptador de conexión rápida para ajustarla fácilmente a la manguera de drenaje de 40 pies (12 m) proporcionada. Desenrolle toda la manguera y coloque el extremo suelto en una pila, un desagadero,

un balde o afuera: en cualquier lugar donde el agua pueda drenar de forma segura. Si acumula el agua en un balde u otro recipiente, contrólole con frecuencia para evitar derrames.

NOTA: Desenrosque y estire toda la manguera de drenaje. No deje ninguna parte de la manguera enroscada en la unidad ni coloque el extremo de la manguera a más de 20 pies (6 m) por encima de la parte superior de la unidad. Controle también que no haya dobleces u obstrucciones que impidan el paso del agua. De lo contrario, es posible que la bomba se tape y pierda agua.

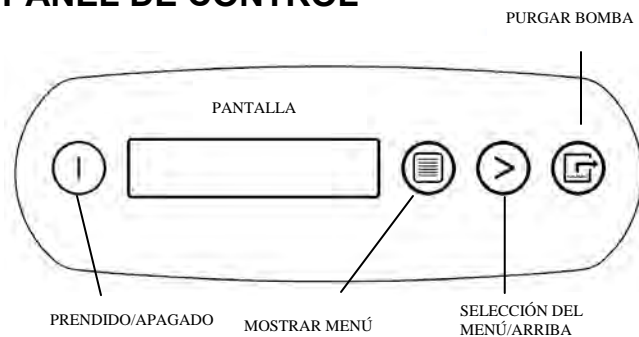
Enchufe el cable eléctrico

El deshumidificador i-Series debe enchufarse en un tomacorriente de 115 voltios, protegido por un GFCI, con capacidad para 15 amperios como mínimo. Saque el cable de la cavidad donde está guardado y desenrósquelo. Conecte siempre primero y con firmeza el cable que va a la unidad. Después, enchufe el otro extremo del cable en un tomacorriente adecuado.

Prenda la unidad

El panel de control del deshumidificador i-Series tiene una pantalla y una placa sensible al tacto con cuatro teclas. Presione la tecla **PRENDIDO/APAGADO** para prender la unidad.

PANEL DE CONTROL



Cómo usar el panel de control

El panel de control del LGR 2800i tiene una pantalla y una placa sensible al tacto con cuatro teclas.

PRENDIDO/APAGADO. Presione la tecla PRENDIDO/APAGADO para prender o apagar la unidad. Cuando se prende la máquina, suele aparecer en la pantalla la leyenda POR FAVOR ESPERE RETAR COMPRES y se produce una cuenta regresiva que va desde un máximo de 60 segundos hasta 0. Esta demora permite que las presiones de refrigerado se equilibren para que el comienzo sea más sencillo. Si no aparece una cuenta regresiva por el retardo del compresor, significa que dicho retardo no es necesario y que la máquina comenzará a funcionar de inmediato. Una vez

que finaliza el retardo del compresor, aparece en la pantalla PRENDIDO XXXX H, y se alterna el mensaje ENTRADA XXX °F con el mensaje ENTRADA XX%.

MOSTRAR MENÚ. Presione la tecla MOSTRAR MENÚ para ver en la pantalla otros estados del deshumidificador y las Configuraciones del Usuario. Para volver al menú principal, presione la tecla PRENDIDO/APAGADO una sola vez.

SELECCIÓN DEL MENÚ. Presione la tecla SELECCIÓN DEL MENÚ para cambiar los valores en las Configuraciones del Usuario. La tecla SELECCIÓN DEL MENÚ también funciona como la tecla ARRIBA, a fin de modificar el valor prefijado para que la unidad funcione en modo "humidistato". Para obtener una descripción detallada, consulte "Menú de configuraciones del usuario" (más abajo).

PURGAR. Presione el botón PURGAR para vaciar en forma manual el agua que se encuentra en el depósito de la bomba de condensado. **AVISO:** Presione siempre la tecla de purgado antes de mover la unidad. Durante el funcionamiento normal, la bomba se purga automáticamente cada seis minutos, o cada vez que el depósito esté lleno. En la pantalla se verá BOMBA PURGANDO y una cuenta regresiva.

Pantalla del menú principal

Cuando la unidad se enchufa por primera vez a la corriente alterna, la pantalla del panel de control mostrará rápidamente una serie de datos. Este procedimiento forma parte del autodiagnóstico de la unidad y no se necesita la intervención del usuario.

Cuando finaliza el autodiagnóstico, la pantalla exhibirá la siguiente información:

PRENDIDO XXXX H
ENTRADA XXX °F / ENTRADA XX%




La primera línea de la pantalla indica la cantidad total de horas que ha funcionado la unidad. Este valor puede llevarse a cero para hacer un seguimiento de las horas de trabajo (vea más abajo "Reinicio de las horas de trabajo"). La segunda línea de la pantalla alterna la temperatura de entrada con la humedad de entrada.

El transmisor inalámbrico i-Series busca permanentemente una conexión con una pasarela de HygroTrac. Cuando se establece una conexión, aparece un símbolo de inalámbrico en el ángulo inferior derecho de la pantalla.

Cuando la unidad está desenchufada, la pantalla no muestra ninguna información. Sin embargo, el transmisor inalámbrico continuará en comunicación con una pasarela de HygroTrac. Las pilas AA producen la energía para que el transmisor envíe a la pasarela un mensaje básico de espera. Esta señal puede utilizarse para rastrear la ubicación de las unidades i-Series que


están almacenadas. Consulte "Rastreo de activos", en la página 12.

Menú de configuraciones del usuario

El usuario puede cambiar varias configuraciones. También tiene disponible información del sistema. Se accede a estas opciones presionando la tecla  MOSTRAR MENÚ. Cada vez que presione la tecla, verá en la pantalla el parámetro siguiente (vea la lista más abajo). Cuando llegue al parámetro que quiere modificar, presione la tecla  SELECCIÓN DEL MENÚ para aumentar el valor. Vuelva a presionar  MOSTRAR MENÚ para aceptar el cambio y reiniciar el ciclo que muestra la pantalla. Si en el término de 20 segundos no presiona ninguna tecla, la pantalla se reiniciará automáticamente y volverá al modo normal.

Tenga en cuenta que pueden ajustarse solamente los elementos del menú seguidos por el símbolo de mayor que (>).

HORAS DE TRABAJO REINICIAR? >

Presione  para llevar las horas a cero. NOTA: Cuando esté en modo "humidistato", en lugar de HORAS DE TRABAJO la línea superior mostrará la palabra HUMIDISTATO durante el funcionamiento normal.

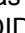
TOTAL DE HORAS XXXXXX H

Muestra la totalidad de horas de funcionamiento de la unidad. El valor no puede modificarse.


ENTRADA	SALIDA
XXX° XX%	XXX° XX%

Muestra la temperatura y la humedad relativa de entrada y salida que hay en el momento. El sistema HygroTrac utiliza estos valores para calcular la disminución de granos.


MODO HUMIDISTATO APAGADO >

En modo "PRENDIDO", la unidad mantendrá el valor prefijado del humidistato (vea más abajo). Presione la tecla  para cambiar de PRENDIDO a APAGADO. NOTA: Cuando esté en modo "humidistato", en lugar de HORAS DE TRABAJO la línea superior mostrará la palabra HUMIDISTATO durante el funcionamiento normal.


VALOR PREFIJADO HUMIDISTATO XX%>

Establece el nivel de humedad cuando la unidad está en modo "humidistato" (vea arriba). Presione la tecla  para aumentar de a 5% el valor de la humedad relativa. Los valores aumentan hasta llegar al 90% de humedad relativa y vuelven a comenzar desde el 30%.

TEMPERATURA C° >

Muestra la escala de temperatura actual. Presione la tecla  para seleccionar grados Fahrenheit o centígrados.

IDIOMA ESPANOL >


Muestra el idioma actual de la pantalla. Presione la tecla  para elegir español, alemán, francés o inglés.

TEMP SERPENT XX °F

Muestra la temperatura del serpentín (evaporador) frío.

SENSOR ID > XXXXXXXXXX

Muestra el número del transmisor inalámbrico incorporado. El sistema HygroTrac utiliza este número para identificar particularmente su unidad i-Series. NOTA: Por razones prácticas, este mismo número aparece en la etiqueta con código de barras que se encuentra en el panel de control.

Presione la tecla  para pasar por los siguientes valores: **TIPO SENSOR, REV SENSOR y REV CONFIG SENSOR**. Es posible que el personal de servicio técnico de Dri-Eaz le pida estos datos cuando esté evaluando un problema.

CORR COMPRS XXXXX A

Muestra la corriente del compresor en amperios.

Mensajes de error

Si el sistema de diagnóstico integrado al modelo i-Series detecta un problema, la unidad mostrará un mensaje de error. Si la unidad se utiliza con el sistema HygroTrac, también enviará la mayoría de los mensajes de error a la página web de HygroTrac del usuario. En "Mensajes de datos y estado del sistema" y "Mensajes de error" (página 20), encontrará un resumen de los mensajes de estado y los de error.

Al finalizar el trabajo

Como con todos los deshumidificadores, una vez finalizada la tarea de secado, es importante asegurarse de que la unidad no contenga agua antes de moverla. Para asegurarse de que toda el agua haya drenado hacia la bomba, siga estos pasos:

1. Apague la unidad y manténgala así 10 minutos.
2. Presione el botón **PURGAR** y, mientras la bomba esté funcionando, incline la unidad hacia atrás aproximadamente 45° y manténgala así hasta que finalice el ciclo de purgado. Esto permitirá que el remanente de agua en los serpentines drene hacia la bomba.
3. Enderece la unidad y vuelva a presionar **PURGAR** para vaciar la bomba. Una vez finalizado el ciclo de purgado, desenchufe la unidad y quítela de inmediato de la zona de trabajo.

Antes de transportarla, asegúrese de quitar la manguera de drenaje externa, vaciarla con cuidado y volver a colocarla en la cavidad que está en la parte de atrás de la unidad.

MANTENIMIENTO

¡ADVERTENCIA! PELIGRO DE DESCARGA ELÉCTRICA. Desenchufe el deshumidificador antes de realizar cualquier tarea de mantenimiento.

Antes de cada uso

Controle el cable eléctrico para detectar daños.

Fíjese que el cable no esté pelado, cortado, etc. No use la unidad si detecta algún daño. Para conocer el Centro de Servicio Técnico más cercano, llame a Dri-Eaz al 800-932-3030.

Controle y aspire el filtro cuando sea necesario. Los deshumidificadores i-Series están equipados con un filtro para alto flujo de aire High Air-Flow (HAF) de 3M™. El filtro para HAF se puede limpiar con aspiradora y volver a usar hasta tres veces. **No enjuague ni lave el filtro para HAF**, ya que reducirá la eficacia del material electrostático.

Tenga siempre un filtro limpio en la unidad para proteger los componentes internos contra la acumulación de polvo y otras partículas. Aspire o cambie el filtro antes de cada trabajo. Reemplácelo únicamente con un filtro para HAF de 3M nuevo (pieza n.º F421 de Dri-Eaz). Para solicitar piezas y servicio técnico, llame al distribuidor de su zona o al Departamento de Servicio Técnico de Dri-Eaz, al 800-932-3030 ó 360-757-7776.

ADVERTENCIA: El polvo puede hacer que la unidad se recaliente y se apague. No utilice el equipo cuando haya exceso de polvo o partículas en el aire, por ejemplo durante el lijado o la pintura con pulverizador. Controle y limpie los serpentines y los componentes del filtro de aire con frecuencia.

IMPORTANTE: Reemplace el filtro para HAF cuando 1) lo haya limpiado con la aspiradora tres veces o 2) haya sido utilizado en tareas de eliminación de moho o haya sido expuesto a sustancias contaminantes potencialmente peligrosas.

Una vez al mes

Controle los serpentines. Los serpentines sucios pueden hacer que la unidad se recaliente. Límpielos cuando los note sucios. Consulte las instrucciones de limpieza en la página 19.

Controle el bloque de intercambio de calor. Límpielo con aire comprimido únicamente. Tenga cuidado de no dañar el bloque.

Controle y limpie la bomba. Para quitar la bomba de condensado, haga lo siguiente:

1. Desenchufe la unidad y quítele el cable.
2. Quite los cinco tornillos que sostienen el panel metálico trasero inferior y los dos pernos que sujetan la parte inferior del panel trasero de polietileno (vea la Figura D).
3. Desconecte de la bomba las mangueras de entrada y de salida.
4. Quite el soporte para el montaje de la bomba (1 tornillo).
5. Gire la bomba horizontalmente hacia la derecha y después inclínela hacia arriba, con cuidado para que no toque la caja de conexión de metal que está arriba. Tire de la bomba para sacarla de la unidad y después desconecte el cable eléctrico.
5. Coloque la bomba sobre una superficie firme. Levante el armazón de plástico blanco de la bomba a fin de sacarlo del recipiente de plástico negro para el agua. Use un trapo suave y absorbente para limpiar cualquier residuo que haya en el recipiente. Vuelva a colocar el armazón de la bomba en el recipiente y asegúrese de que esté bien ubicado.
6. Para volver a instalar la bomba, siga estas instrucciones, pero a la inversa.

Una vez al año

Llame al Departamento de Servicio Técnico de Dri-Eaz (800-932-3030) o a un centro de servicio técnico habilitado para que controle el sistema de la bomba.

TRANSPORTE Y ALMACENAMIENTO

AVISO: Manipule la unidad con cuidado. No la tire ni la apoye en lugares donde pueda caerse. Si no trata este equipo con cuidado, puede dañarse y ocasionar algún peligro, o la garantía puede quedar anulada.

IMPORTANTE: Antes de mover la unidad, asegúrese de purgar el agua que se encuentra en el

depósito de la bomba. Consulte “Cómo usar el panel de control” en la página 15 para obtener información sobre la función PURGAR. Tenga en cuenta que, para que purgue, la unidad debe estar enchufada.

1. No exponga el panel de control a humedad, nieve o lluvia cuando lo transporte en vehículos descubiertos, tales como los camiones de plataforma.
2. Transpórtelo y almacénelo de manera segura para evitar cualquier impacto que dañe las partes internas.



LIMPIEZA

¡Advertencia!

Desenchufe la unidad antes de realizar cualquier tarea de mantenimiento.

Para contribuir a que la unidad siga funcionando eficazmente, mantenga limpios los serpentines y el bloque de intercambio de calor de aire a aire. Se puede acceder fácilmente a estos componentes quitando las tapas laterales y trasera de la unidad, tal como se describe a continuación:

1. Desenchufe la unidad.
2. Desconecte el cable de alimentación de la entrada que está en la base de la unidad. Saque la manguera de la bomba de la conexión rápida.
3. Quite el filtro para HAF.
4. Saque las dos tapas laterales A y B (desatornille los dos pernos que hay en cada panel).
5. Saque la tapa trasera (desatornille los cuatro pernos que hay en la parte de atrás y los dos pernos del panel superior del frente).
6. Quite el bloque de intercambio de calor.

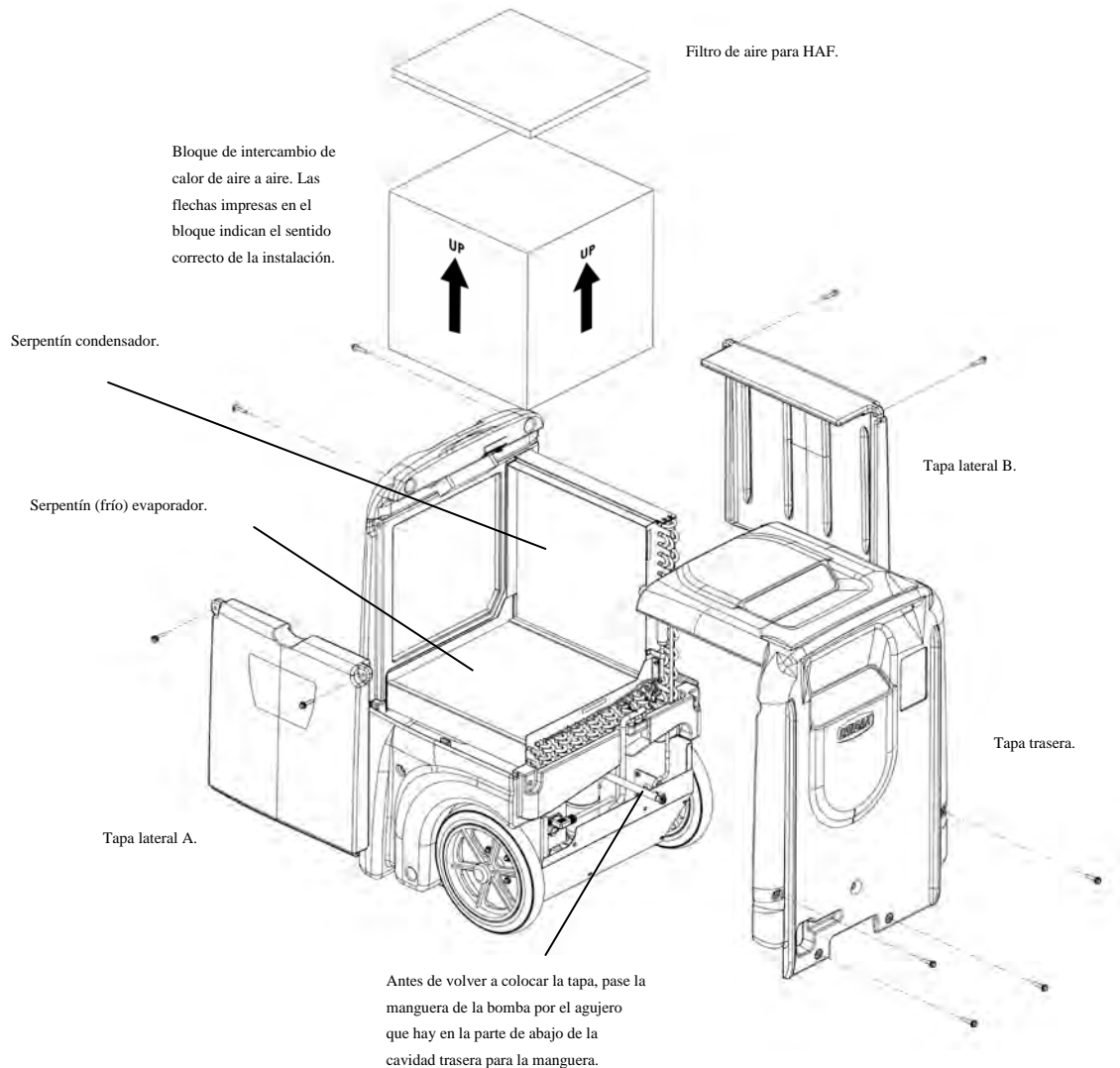
Controle con cuidado el bloque de intercambio de calor. De ser necesario, use aire comprimido para limpiar las cañetas del bloque, con cuidado para no dañarlo.

AVISO: La unidad está equipada con sensores electrónicos sensibles. Proteja los sensores contra impactos y no los exponga a agua ni a ninguna solución de limpieza.

Use la aspiradora o el aire comprimido en ambos lados del serpentín (condensador) vertical hasta que esté limpio. No permita que la boquilla toque las aletas, ya que podría dañarlas.

AVISO: El limpiador de serpentín Dri-Eaz Coil Cleaner (pieza n.º S402 de Dri-Eaz) puede utilizarse únicamente para el serpentín (evaporador) frío horizontal. Respete las instrucciones que figuran en la etiqueta del producto.

FIG. E: LIMPIEZA



Tenga cuidado de no rociar o pasar un trapo con Coil Cleaner en los componentes eléctricos ni en los sensores, ni cerca de ellos. Para obtener instrucciones sobre cómo limpiar el serpentín (condensador) vertical, comuníquese con el Departamento de Servicio Técnico.

Para volver a armar siga los pasos anteriores, pero a la inversa. Asegúrese de volver a instalar el bloque de intercambio de calor según la orientación que tenía originalmente. Antes de volver a colocar la tapa trasera, pase con cuidado la manguera de la bomba por el agujero que hay en la cavidad de la parte de atrás.

AVISO: Los bordes exteriores de los serpentines evaporadores y condensadores tienen burletes de goma que crean un cierre hermético alrededor del bloque de intercambio de calor. Cuando vuelva a instalar el bloque, asegúrese de que los burletes estén en el lugar correspondiente y no estén torcidos ni doblados.

MENSAJES DE DATOS Y ESTADO DEL SISTEMA

El siguiente cuadro es un resumen de los mensajes de datos y estado que generan los deshumidificadores i-Series. La columna de la izquierda muestra los mensajes que aparecen en la pantalla del panel de control. La columna del centro incluye los mensajes que se retransmiten al sistema de control a distancia HygroTrac y que aparecen en la página web de HygroTrac. En la página web de HygroTrac también aparecerá uno de tres mensajes de estado para cada unidad i-Series detectada por una pasarela de HygroTrac: S para espera (la unidad no está conectada a la corriente alterna, pero el transmisor inalámbrico funciona correctamente), A para activa (la unidad envía mensajes de datos y estado normales) o I para inactiva (la unidad no envía mensajes).

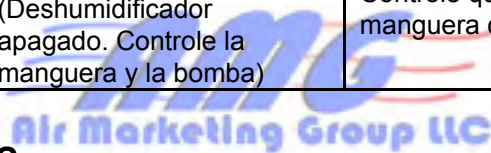
	MENSAJE DEL PANEL DE CONTROL	MENSAJE DE LA PÁGINA WEB DE HYGROTRAC	EXPLICACIÓN
ESTADO DEL SISTEMA	PRENDIDO XXXX H	Deshumidificador prendido.	Funcionamiento normal.
	PRENDIDO XXXX H CICLO DESCONGEL	En modo "descongelación".	Funcionamiento normal. La unidad está en modo "descongelación". No hay que hacer nada.
	APAGADO	Deshumidificador apagado; hay corriente alterna.	La unidad está apagada. Hay corriente alterna.
	PRENDIDO XXXX H FALLA ELECTRICA>	Se reinició el deshumidificador después de una falla eléctrica.	La unidad experimentó una falla eléctrica, pero se ha reiniciado con éxito.
	HUMIDISTATO ENTRADA XXX °F	Humidistato controlado.	El modo "humidistato" está activo y el deshumidificador recibe energía.
	CICLO ALTA TEMP MIN RESTANTES XX	En modo "alta temperatura".	Solo LGR 2800i. Funcionamiento normal. La unidad ha detectado temperaturas ambiente más altas y cambió de modo para funcionar mejor. No hay que hacer nada.
[la pantalla está vacía]	Modo "espera".	No hay corriente alterna. El transmisor inalámbrico funciona normalmente. No hay que hacer nada.	

MENSAJES DE ERROR

El siguiente cuadro muestra los mensajes de error que puede detectar el sistema. Si en la pantalla hay un mensaje que dice "ER", desenchufe la unidad y vuelva a enchufarla. Es posible que se reinicien los componentes electrónicos; en ese caso, no hay que hacer nada más. Si el mensaje de error vuelve a aparecer, pruebe con la solución que se indica en "Explicación". Si persiste el problema, comuníquese con el centro de servicio técnico autorizado de su zona o con el Departamento de Servicio Técnico de Dri-Eaz al 800-932-3030.

	MENSAJE DEL PANEL DE CONTROL	MENSAJE DE LA PÁGINA WEB DE HYGROTRAC	EXPLICACIÓN
ERROR DEL SISTEMA	ER1 CONTACTAR CENTRO DE SERV	Failure: Contact Service Center (Falla: Contáctese con el Centro de Servicio Técnico)	Controle la corriente alterna para verificar si el voltaje es el adecuado. Es posible que tenga que cambiar el panel de control electrónico. Llame al servicio técnico.
	ER2 CONTACTAR CENTRO DE SERV	Failure: Contact Service Center (Falla: Contáctese con el Centro de Servicio Técnico)	Es posible que tenga que cambiar el panel de control electrónico. Llame al servicio técnico.
	ER3 CONTACTAR CENTRO DE SERV	Failure: Contact Service Center (Falla: Contáctese con el Centro de Servicio Técnico)	Controle el sensor de descongelación para ver si la conexión es correcta. Revise el cable del sensor para ver si está dañado. Es posible que haya que reemplazar el montaje del sensor. Llame al servicio técnico.

ER4√ CONEXION SENSOR DESCONG o ER4√ CONEXION SENSOR SALIDA	Check Sensor Connections (Controle las conexiones del sensor)	Controle el sensor de descongelación para ver si la conexión es correcta. Revise el cable del sensor para ver si está dañado. Es posible que haya que reemplazar el montaje del sensor. Llame al servicio técnico.
ER5 √ CONEXION SENSOR TABLERO	Check Temp/RH Sensor Connections (Controle las conexiones del sensor de temperatura y humedad relativa)	Controle las conexiones del sensor de temperatura y humedad relativa.
ER6 CONTACTAR CENTRO DE SERV	Failure: Contact Service Center (Falla: Contáctese con el Centro de Servicio Técnico)	Es posible que haya que reemplazar el tablero de alto voltaje. Llame al servicio técnico.
ER7 INVAL AJUSTE	Failure: Contact Service Center (Falla: Contáctese con el Centro de Servicio Técnico)	Las configuraciones del interruptor PLD o el tipo de microprograma no son las correctas para ese modelo específico. Llame al servicio técnico.
ER8 BOTON ATORADO √ TODOS LOS BTNS	Dehumidifier Off. Button Stuck on Controller (Deshumidificador apagado. El botón está atorado en el dispositivo de control)	Presione cada botón de membrana y controle que funcione correctamente. Es posible que haya que reemplazar la cubierta de membrana. Llame al servicio técnico.
ER9 BOMBA TAPADA √ BOMBA&MANGUERA	Dehumidifier Off: Check Hose and Pump (Deshumidificador apagado. Controle la manguera y la bomba)	Controle que no haya obstrucciones en la manguera de drenaje. Revise la bomba.



DETECCIÓN DE PROBLEMAS

FALLA	MOTIVO	SOLUCIÓN
La unidad no funciona.	La máquina no recibe electricidad. Unidad desenchufada.	Enchufe la unidad; revise la electricidad en el tomacorriente y en la base de la unidad. Préndala.
La rueda del soplador no gira.	Soplador obstruido.	Quite el aro del conducto y la rejilla. Desobstruya. Vuelva a colocar el aro del conducto y la rejilla.
La unidad funciona, pero la habitación no se seca.	Tiempo de secado insuficiente. Poca circulación de aire en la habitación. Infiltración excesiva de aire húmedo.	Permita más tiempo de secado. Aumente la circulación de aire con ventiladores. Reduzca la infiltración.
La unidad junta muy poca agua.	El aire de la habitación está seco. La temperatura de la habitación es demasiado baja.	Controle la humedad con un higrómetro. Aumente la temperatura de la habitación. Controle el filtro y los serpentines; límpielos si es necesario.
<p><i>Si su problema no está incluido aquí, llame al distribuidor de su zona o comuníquese sin cargo con nuestro Departamento de Servicio Técnico al 800-932-3030 para que lo asistan.</i></p>		

ESPECIFICACIONES

Modelo	LGR 2800i F410	LGR 3500i F411
Peso	165 lb 75 kg	165 lb 75 kg
Dimensiones (altura × profundidad × ancho)	48.5 × 23 × 24 in 123 × 58 × 61 cm	48.5 × 23 × 24 in 123 × 58 × 61 cm
Potencia	8 A, 115 V	10.5 A, 115 V
Eliminación de agua según AHAM (80 °F [26.5 °C]/60% de humedad relativa)	130 pt 61.5 por día	170 pt 80.4 l por día
Eliminación de agua máxima (90 °F [32 °C]/90% de humedad relativa)	200 pt 94.6 por día	240 pt 113.6 por día
Eliminación de agua (80 °F [26.5 °C]/20% de humedad relativa)		22 pt 10.4 por día
Cantidad máxima de aire procesado	400 cfm 679.7 m ³ /h*	400 cfm 679.7 m ³ /h*
Filtro de aire	Filtro HAF para alto flujo de aire, de 3M	Filtro HAF para alto flujo de aire, de 3M

	(pieza n.º F421)	(pieza n.º F421)
Cable de alimentación	Desmontable 25 ft 7.6 m	Desmontable 25 ft 7.6 m
Construcción	Carcasa rotomoldeada	Carcasa rotomoldeada
Seguridad	Certificación de ETL conforme a las normas UL 474 y CSA 22.2 n.º 92	Certificación de ETL conforme a las normas UL 474 y CSA 22.2 n.º 92
Las especificaciones están sujetas a cambios sin previo aviso. Algunos valores pueden ser aproximados. * Velocidad variable automática para optimizar el desempeño.		

La información sobre la garantía está disponible en www.dri-eaz.com.
MICROBAN® es una marca registrada de Microban Products Company.



Guide d'utilisation

Déshumidificateur portable LGR 2800i (F410)

Déshumidificateur portable LGR 3500i (F411)

avec capteurs intégrés et capacité de surveillance à distance

5 Jf'AU_YHb[]; fci d'@@"

~~~~~ FÁŞã à^!\æ æ& ÅÜàËÜæ\ ÅÜã\*^/ÁRÉÍÍÍ

Téléphone : 06FÈ Ì GÈFÌ Ì G Fax : 06FÈ Ì GÈFÌ Ì H www.æ \*æã.com

La gamme de déshumidificateurs Dri-Eaz® LGR « i » réduit l'humidité dans les environnements structurels fermés en éliminant la vapeur contenue dans l'air. La gamme « i » est conçue pour être robuste, durable, facilement transportable et, par conséquent, ces appareils sont les outils parfaits pour les restaurations à la suite de dégâts causés par l'eau, pour le séchage structurel et la construction, ainsi que pour d'autres applications exigeant une déshumidification temporaire à hautes performances.

Brevet en instance : 12,272,455

### **LIRE ET CONSERVER CES INSTRUCTIONS**

#### **CONSIGNES DE SÉCURITÉ**

### **AVERTISSEMENT**



**AVERTISSEMENT! Risque d'électrocution, ventilateur en rotation, dangers liés aux surfaces chaudes. Débranchez l'appareil avant d'ouvrir le couvercle pour un nettoyage ou un entretien.**

**L'appareil doit être mis à la terre.**

- Examinez le cordon d'alimentation avant utilisation. N'utilisez pas l'appareil si le cordon est endommagé. Saisissez toujours la fiche (et non pas le cordon) pour débrancher.
- Introduisez la fiche à trois broches du cordon d'alimentation dans une prise électrique correspondante mise à la terre. N'utilisez pas d'adaptateur. Ne coupez jamais la troisième broche. N'utilisez pas de rallonge électrique.
- L'appareil doit être utilisé sur un circuit de 115 V/60 Hz protégé par un disjoncteur de fuite de terre.
- Le moteur et le câblage doivent rester secs.
- N'essayez pas de réparer l'appareil. Pour obtenir une liste des centres d'entretien agréés, appelez Dri-Eaz au 800-932-3030.

#### **PRÉLIMINAIRES**

##### **Déballage de l'appareil**

Conservez tout le matériel d'emballage et les cartons pour un renvoi éventuel. Recherchez les piles AA et conservez-les; elles devront être mises en place avant utilisation de l'appareil.

##### **Pose des piles de capteurs**

Le 2800i et le 3500i sont fournis chacun avec deux piles AA qui alimentent l'émetteur sans fil HygroTrac® lorsque l'appareil n'est pas connecté sur une prise secteur. Le compartiment à piles se trouve directement sous la prise femelle du cordon électrique, à l'arrière de l'appareil (cf. Figure C). Utilisez un tournevis à lame plate pour faire tourner le couvercle du compartiment à piles de 90° dans le sens contraire des aiguilles d'une montre et retirez le couvercle. Insérez les piles, borne négative en avant. Après l'insertion des piles, fixez le couvercle en place en appuyant sur celui-ci avec le tournevis et en le faisant tourner de 90° dans le sens des aiguilles d'une montre.

##### **Enregistrement de la garantie**

Allez sur le site [warranty.drieaz.com](http://warranty.drieaz.com) pour enregistrer votre achat. L'enregistrement nous permet de mieux vous aider avec l'utilisation, la maintenance et la réparation de votre équipement, et nous pouvons ainsi également vous contacter si nous avons des informations importantes sur la sécurité de votre produit Dri-Eaz. Si vous estimez qu'un entretien est nécessaire, soyez prêt à fournir le modèle, le numéro de série et la preuve d'achat initial de l'appareil et appelez votre

distributeur pour obtenir une autorisation de renvoi de matériel.

## TABLE DES MATIÈRES

|                                                   |    |
|---------------------------------------------------|----|
| <b>Mise en place d'un déshumidificateur</b> ..... | 26 |
| <b>Identification des pièces</b> .....            | 25 |
| <b>Fonctionnement du déshumidificateur</b> .....  | 26 |
| <b>Maintenance</b> .....                          | 28 |
| <b>Transport et entreposage</b> .....             | 29 |
| <b>Nettoyage</b> .....                            | 30 |
| <b>État du système et messages de données</b> .   | 31 |
| <b>Messages d'erreurs</b> .....                   | 31 |
| <b>Diagnostic de pannes</b> .....                 | 32 |

Reportez-vous à la section « Télédétection HygroTrac », page 24, pour une vue d'ensemble de l'utilisation de votre appareil avec le système de surveillance à distance HygroTrac (vendu séparément).

## INTRODUCTION

Les déshumidificateurs Dri-Eaz réduisent l'humidité dans les environnements structurels fermés en éliminant la vapeur d'eau contenue dans l'air. Lorsqu'ils sont utilisés correctement, les déshumidificateurs peuvent aider à sécher les moquettes, les sous-tapis, les planchers, les murs, le contenu d'un bâtiment, et bien plus. L'utilisation de déshumidificateurs DriEaz peut également aider à prévenir des dommages secondaires causés par des taux d'humidité élevés. Pour obtenir les meilleurs résultats possibles, utilisez les déshumidificateurs avec les appareils aérauliques TurboDryer de Dri-Eaz, en les plaçant sur le périmètre de la pièce afin de distribuer l'énergie thermique et de dégager l'humidité provenant des surfaces mouillées dans l'air.

## Fonctionnement des déshumidificateurs de la gamme LGR

Les déshumidificateurs réfrigérants à grains Dri-Eaz fonctionnent en attirant l'air humide à travers un noyau d'évaporation extrêmement froid. L'humidité de l'air se condense sur le serpent. Sous certaines conditions, l'appareil fonctionne en mode de dégivrage, réchauffe tout le givre qui aurait pu s'accumuler sur le serpent de l'évaporateur et le transforme en eau. L'eau est recueillie dans un plateau et est pompée à travers un tuyau. Les capteurs incorporés surveillent continuellement les conditions ambiantes et le fonctionnement du système de l'humidificateur, y compris la température et l'humidité relative; ces données peuvent être visualisées sur le panneau d'affichage. L'appareil transmet également ces données à une passerelle HygroTrac qui peut les mettre en mémoire ou les transmettre au site Web HygroTrac (tel qu'expliqué ci-dessous).

Les déshumidificateurs réfrigérants à grains (LGR - *Low Grain Refrigerant*) offrent de meilleures capacités d'échange thermique et de dégivrage que les

déshumidificateurs standard réfrigérants. Ils peuvent donc continuer à éliminer l'humidité dans des atmosphères plus sèches.

## Télédétection HygroTrac

Un déshumidificateur de la gamme « i » est doté de la technologie de détection sans fil HygroTrac. Lorsqu'elle est utilisée avec le système de surveillance à distance HygroTrac, cette technologie permet à l'utilisateur de surveiller les conditions du site en question, ainsi que le fonctionnement de l'équipement, en temps réel, sur Internet.

Voici comment cela fonctionne : le déshumidificateur de la gamme « i » transmet les données d'humidité et de température à une passerelle placée sur le lieu du travail. Cette passerelle peut être configurée de manière à mettre ces données en mémoire pour récupération ultérieure, ou pour les transmettre par Internet à un site Web sécurisé. Les utilisateurs se connectent au site Web HygroTrac à partir de n'importe quel ordinateur ayant un accès Internet, et visualisent, impriment et téléchargent un nombre varié de rapports, de tableaux et de graphiques qui peuvent être personnalisés.

Utilisé avec des capteurs supplémentaires placés dans l'environnement de séchage, le système HygroTrac fournit un affichage extrêmement précis de cet environnement, du fonctionnement de l'équipement et des progrès du séchage. Le système peut également être configuré de manière à vous avertir par courriel ou message texte sur votre téléphone cellulaire, si les conditions d'entrée ou de sortie du déshumidificateur dépassent certains des paramètres que vous avez définis sur le site Web HygroTrac.

Si le système HygroTrac signale un état d'arrêt d'alimentation électrique pour un appareil se trouvant sur un lieu de travail, vous saurez immédiatement que l'appareil a été éteint, ou qu'il y a eu une interruption d'alimentation. Le système HygroTrac peut être configuré de manière à vous contacter automatiquement par courriel ou par messages textes si ceci se produit.

### Suivi des éléments

Lorsque le déshumidificateur est déconnecté de l'alimentation secteur, le système se met automatiquement en mode d'attente, en transmettant périodiquement un signal « en attente ». Deux piles AA remplaçables fournissent l'alimentation pour ce mode de fonctionnement (reportez-vous à la section « Pose des piles de capteurs », page 23).

Le signal d'attente peut être utilisé pour confirmer l'emplacement et l'état de votre appareil. Une passerelle HygroTrac, placée dans un emplacement d'entreposage, par exemple, recevra une transmission de mise en attente de tous les appareils 2800i et 3500i se trouvant

aux alentours et rapporteront cet état à votre site Web HygroTrac.

### Données transmises

Les données recueillies par le système incluent la température et l'humidité relative de l'entrée et de la sortie. Le système HygroTrac utilise ces données pour calculer la dépression des grains (la quantité d'humidité retirée de l'air) ainsi que d'autres données importantes sur l'état de fonctionnement de l'appareil. Le système transmet également tous les messages d'état de premier niveau. Pour obtenir plus d'informations sur ces messages, reportez-vous à la section « État du système et messages de données », page 31.

Pour obtenir de l'information sur la surveillance à distance HygroTrac, veuillez vous rendre à l'adresse [hygrotrac.drieaz.com](http://hygrotrac.drieaz.com) ou appelez Dri-Eaz au 800-932-3030.

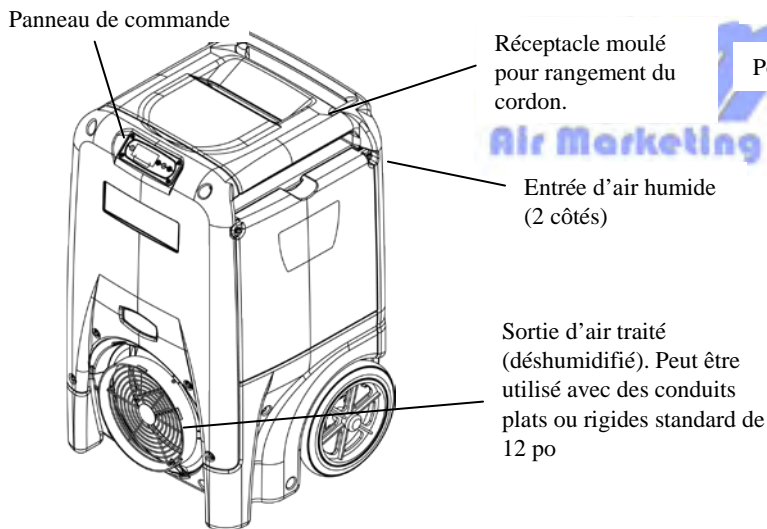
## MISE EN PLACE D'UN DÉSHUMIDIFICATEUR

Pour obtenir les meilleurs résultats possibles, faites fonctionner vos déshumidificateurs dans une zone fermée, vu que ceci crée une chambre de séchage. Fermez toutes les portes et toutes les fenêtres qui s'ouvrent vers l'extérieur afin de permettre à l'appareil d'éliminer l'eau de manière la plus efficace possible. Assurez-vous également que les allées et venues dans la chambre de séchage sont rares. Placez le déshumidificateur contre un mur, loin de toute obstruction, et loin de tout objet qui pourrait bloquer le débit d'air qui entre et sort de l'appareil.

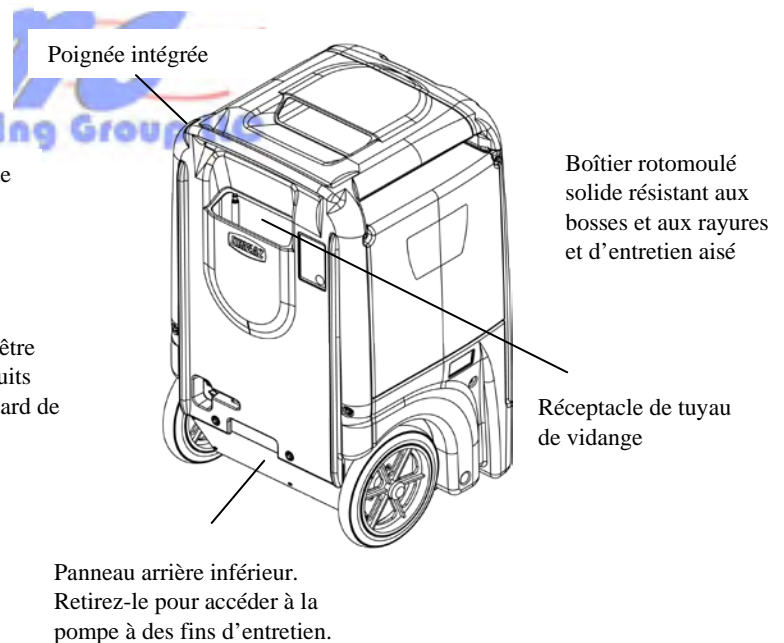
Pour obtenir de l'information supplémentaire sur la création d'un environnement de séchage optimal, contactez Dri-Eaz au 800-932-3030.

## IDENTIFICATION DES PIÈCES

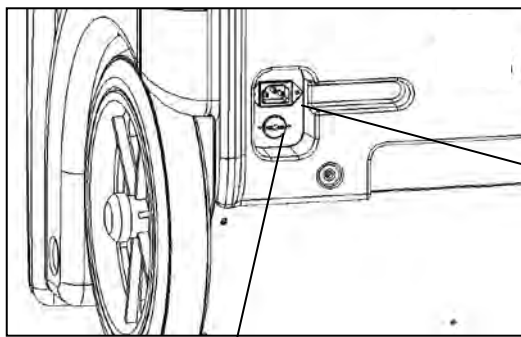
**FIG. A : AVANT**



**FIG. B : ARRIÈRE**



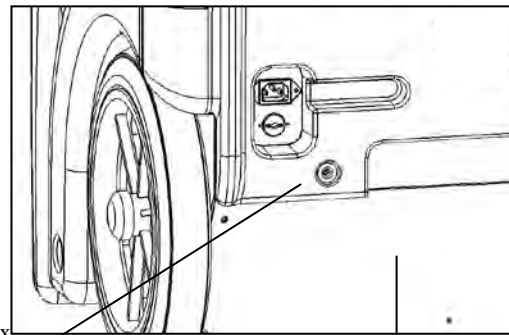
**FIG. C : POINTS DE FIXATION DE L'ALIMENTATION ET DE LA POMPE**



Compartiment de piles AA. Fournit l'alimentation à l'émetteur sans fil HygroTrac lorsque l'appareil n'est pas branché.

Prise femelle du cordon

**FIG. D : PANNEAU D'ACCÈS DE LA POMPE**



Bas du boîtier en polyéthylène. Retirez deux boulons pour déposer la pompe pour nettoyage

Panneau arrière inférieur. Retirez les cinq vis de retenue pour déposer la pompe pour nettoyage.

## FONCTIONNEMENT DU DÉSHUMIDIFICATEUR

### Placement vertical de l'appareil

**AVIS** - Si vous transportez un déshumidificateur de gamme « i » en position horizontale, placez-le en position verticale et laissez-le ainsi pendant 30 minutes au moins avant de le mettre en marche. Lorsque l'appareil est à l'horizontale, l'huile en provenance du compresseur s'écoule dans les serpentins réfrigérants, diminuant la capacité de fonctionnement du déshumidificateur. L'huile retourne dans le compresseur lorsque l'appareil est en position verticale pendant 30 minutes.

### Pose du tuyau de vidange

La pompe à condensats des déshumidificateurs de gamme « i » est raccordée à un tuyau de vidange en plastique qui se trouve dans le réceptacle situé à l'arrière de l'appareil. Ce tuyau est doté d'un raccord rapide qui permet de le fixer rapidement au tuyau de vidange de 40 pieds fourni. Déballez le tuyau au complet et placez l'extrémité non attachée dans un évier, un drain, un seau, ou à l'extérieur, dans un endroit où l'eau peut s'écouler sans danger. Si vous utilisez un seau ou un autre récipient pour recueillir l'eau, vérifiez-le souvent pour éviter tout débordement.

**REMARQUE** - Déroulez et redressez le tuyau de vidange au complet. Ne laissez aucune partie du tuyau enroulé sur l'appareil et ne placez pas l'extrémité du tuyau à une hauteur supérieure à 6 m (20 pieds) au-dessus de l'appareil. Assurez-vous également de l'absence d'entortillements et d'obstructions qui pourraient restreindre le débit de

l'eau. L'eau pourrait remonter dans la pompe si cela se produisait, et vous auriez des fuites.

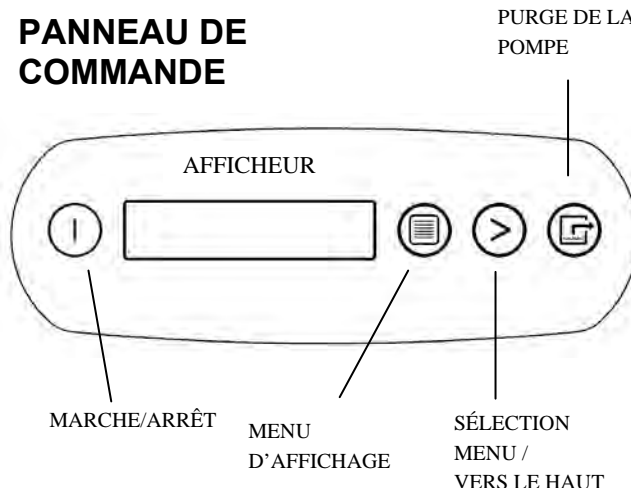
### Branchement du cordon électrique

Le déshumidificateur de gamme « i » doit être branché sur une prise de 115 volts protégée par un disjoncteur de fuite de terre avec un régime nominal minimum de 15 ampères. Retirez le cordon de son réceptacle de rangement et déroulez-le. Commencez toujours par brancher le cordon fermement sur l'appareil, puis branchez l'autre extrémité sur une prise appropriée.

### Mise sous tension de l'appareil

Le panneau de commande des déshumidificateurs de gamme « i » présente un afficheur et quatre touches de commande. Appuyez sur le bouton **MARCHE/ARRÊT** pour mettre l'appareil sous tension.

### PANNEAU DE COMMANDE



PURGE DE LA POMPE

AFFICHEUR

MARCHE/ARRÊT

MENU D'AFFICHAGE

SÉLECTION MENU / VERS LE HAUT

## Mode d'emploi du panneau de commande

Le panneau de commande du LGR 2800i comprend un écran et un clavier tactile avec quatre touches.

**① MARCHE/ARRÊT.** Appuyez sur la touche Marche/Arrêt pour mettre l'appareil en marche ou pour l'arrêter. Lorsque l'appareil se met en marche, l'écran indique généralement SVP ATTENDRE COMP. DIFFERE XX et effectue un compte à rebours numérique d'un maximum de 60 secondes jusqu'à 0. Ce délai fournit le temps nécessaire pour l'équilibrage des pressions du fluide frigorigène afin de faciliter le démarrage. Si vous ne voyez pas de compte à rebours du compresseur différé, aucun délai n'est nécessaire et l'appareil commence à fonctionner immédiatement. Lorsque l'appareil a terminé le délai du compresseur, l'écran affiche XXXX HRS TRAVAIL et effectue un cycle entre ENTREE XX°C et ENTREE XX% .

**⊞ MENU D'AFFICHAGE.** Appuyez sur la touche de MENU D'AFFICHAGE pour parcourir l'affichage de conditions supplémentaires du déshumidificateur et les paramètres utilisateur. Appuyez une fois sur le bouton MARCHE/ARRÊT pour retourner au menu principal.

**➤ SÉLECTION DE MENU.** Appuyez sur la touche SÉLECTION DE MENU pour changer les valeurs des « paramètres utilisateur ». La touche SÉLECTION DE MENU agit comme touche VERS LE HAUT pour régler le point de consigne pour le mode de fonctionnement de l'hygrostat. Reportez-vous à la section Menu de paramètres utilisateur (ci-dessous) pour de plus amples détails.

**⊞ PURGE.** Appuyez sur la touche PURGE pour vidanger manuellement l'eau du réservoir de la pompe du condensat. **AVIS** - Appuyez toujours sur la touche de purge avant de déplacer l'appareil. Lors d'un fonctionnement normal, la pompe effectue automatiquement une purge toutes les six minutes, ou chaque fois que le réservoir est plein. L'affichage indique PURGE POMPE avec un compte numérique à rebours.

### Affichage de menu principal


Lors du premier branchement de l'appareil sur une prise secteur, l'affichage du panneau de commande passe brièvement par une série d'affichages. Ceci fait partie de la procédure d'autodiagnostic de l'appareil et l'utilisateur n'a pas besoin d'intervenir.

Lorsque l'autodiagnostic est terminé, l'écran affiche les données suivantes :

**XXXX HRS TRAVAIL**  
**ENTREE XXX°C / ENTREE XXX% **

La première ligne de l'affichage indique le nombre total d'heures pendant lesquelles l'appareil est en fonctionnement. Cette valeur peut être réinitialisée à

zéro pour noter le nombre d'heures de travail (reportez-vous à la section « Réinitialisation des heures en marche » ci-dessous). La deuxième ligne de l'affichage alterne entre la température d'entrée et l'humidité d'entrée.

L'émetteur sans fil du déshumidificateur de gamme « i » recherche continuellement une connexion avec une passerelle HygroTrac. Lorsqu'une connexion est établie, le symbole sans fil  apparaît dans le coin inférieur droit de l'écran.

Aucune information n'est présentée à l'écran lorsque l'appareil est débranché. L'émetteur sans fil continue cependant à communiquer avec une passerelle HygroTrac. Les piles AA fournissent une alimentation permettant à l'émetteur d'envoyer un message de base « en attente » à la passerelle. Ce signal peut être utilisé pour rechercher l'emplacement des appareils de gamme « i » en entrepôt. Reportez-vous à la section « Suivi des éléments », page 244.

### Menu de paramètres utilisateur

L'utilisateur peut modifier un certain nombre de paramètres. L'information système est également disponible. Vous pouvez accéder à ces articles en appuyant sur la touche ⊞ MENU D'AFFICHAGE. Le paramètre suivant s'affiche avec chaque appui sur la touche (selon la liste ci-dessous). Lorsque vous avez atteint le paramètre que vous souhaitez régler, appuyez sur la touche ➤ SÉLECTION DE MENU pour augmenter la valeur. Appuyez de nouveau sur la touche ⊞ MENU D'AFFICHAGE pour accepter le réglage et redémarrer le cycle d'affichage. Si aucune touche n'est sélectionnée pendant 20 secondes, l'affichage est réinitialisé automatiquement et retourne au mode d'affichage normal.

Veillez noter que seuls les articles du menu suivis d'un symbole « plus grand que » ( > ) peuvent être réglés.

#### REINITIALISATION HRS EN MARCHÉ? >

Appuyez sur la touche ➤ pour remettre les heures à zéro. **REMARQUE** – Lorsque l'appareil est en mode Hygrostat, la ligne supérieure indique HYGROSTAT pendant un fonctionnement normal et non pas HRS EN MARCHÉ.


#### HEURES TOTALES XXXX HRS

Affiche le nombre total d'heures de fonctionnement de l'appareil. La valeur ne peut pas être modifiée.


**ENTREESORTIE**  
00° 00%00° 00%

Affiche la température actuelle et l'humidité relative de l'entrée et de la sortie. Le système HygroTrac utilise ces valeurs pour calculer la dépression des grains.


**MODE HYGROSTAT EN  
ETEINT >**

En mode MARCHÉ, l'appareil maintient le point de consigne de l'hygrostat (comme ci-dessous). Appuyez sur la touche  pour basculer entre MARCHÉ et ETEINT. REMARQUE - Lorsqu'il est en mode Hygrostat, l'appareil affiche HYGROSTAT sur la ligne supérieure pendant un fonctionnement normal, et non pas HRS EN MARCHÉ.


**REGLAGE DE HYGROSTAT**  
XX% >

Définit le niveau d'humidité lorsque l'appareil est en mode Hygrostat (tel que ci-dessus). Appuyez sur la touche  pour modifier la valeur d'humidité relative en incréments de 5 %. Les réglages montent jusqu'à 90 % d'humidité relative, puis recommencent à 30 %.

**TEMPERATURE**  
°C >

Affiche l'échelle de températures actuelle. Appuyez sur la touche  pour sélectionner l'échelle Fahrenheit ou Celsius.

**LANGUE FRANCAIS >**


Affiche la langue actuelle de l'affichage. Appuyez sur la touche  pour sélectionner Espagnol, Allemand, Français ou Anglais.

**TEMPERATURE SERPENTIN**  
XX°F

Affiche la température froide du serpent (de l'évaporateur).

**IDENTIF CAPTEUR**  
XXXXXXXXXX >

Affiche le numéro de l'émetteur sans fil incorporé. Le système HygroTrac utilise cette information pour identifier votre appareil de la gamme « i » de manière unique. REMARQUE – Pour plus de commodité, ce même numéro est affiché sur l'étiquette en code-barres apposée sur le panneau de commande.

Appuyez sur la touche  pour parcourir les valeurs suivantes : **TYPE DE CAPTEUR**, **REVISION DU CAPTEUR** et **REVISION CONFIG CAPTEUR**. Un technicien de service Dri-Eaz pourrait vous demander de fournir ces données lors du diagnostic d'un problème.

**COMPRESSEUR AMPERAGE**  
XXXXX A

Affiche la consommation de courant actuelle du compresseur, en ampères.

**Messages d'erreurs**

Si les diagnostics intégrés du LGR 2800i découvrent un problème, l'appareil affiche un message d'erreur. Si l'unité est utilisée avec le système HygroTrac, elle transmet également la plupart des messages d'erreurs au site Web HygroTrac de l'utilisateur. Reportez-vous à la section « État du système et messages de données et messages d'erreurs » (page 31) pour un résumé des messages d'état et d'erreurs.

**Après chaque utilisation**

Comme pour tous les déshumidificateurs, une fois le travail de séchage terminé, il est important de vérifier que l'appareil est complètement purgé de son eau avant de le déplacer. Pour vous assurer que toute l'eau s'est écoulée dans la pompe, suivez les étapes suivantes :

1. Arrêtez l'appareil en le laissant branché sur le secteur, et attendez 10 minutes.
2. Appuyez sur le bouton **PURGE** et, pendant que la pompe de purge fonctionne, faites basculer l'appareil d'environ 45° vers l'arrière et maintenez-le dans cette position jusqu'à la fin du cycle de purge. Ceci permet à toute eau restant sur les serpentins de s'écouler dans la pompe.
3. Remettez l'appareil en position verticale et appuyez sur **PURGE** une nouvelle fois pour vider la pompe. Une fois l'opération de purge terminée, débranchez l'appareil et retirez-le rapidement du site.

Avant le transport, assurez-vous d'avoir bien retiré le tuyau de vidange externe, videz-le avec précaution et remettez-le dans le réceptacle de rangement à l'arrière de l'appareil.

**MAINTENANCE**

**AVERTISSEMENT! RISQUE DE CHOC**

**ÉLECTRIQUE.** Débranchez le déshumidificateur de gamme « i » avant de procéder à une maintenance quelconque.

**Avant chaque utilisation**

**Regardez si le cordon électrique est intact.**

Recherchez la présence d'effilochage, de coupures, etc. N'utilisez pas l'appareil si vous avez découvert des défauts. Appelez Dri-Eaz au 800-932-3030 pour obtenir les coordonnées du centre de services le plus proche.

**Examinez et videz le filtre selon les besoins.** Le déshumidificateur de gamme « i » comprend un filtre à débit d'air élevé (*High Air-Flow* – HAF) 3M™. Le filtre HAF peut être nettoyé à l'aspirateur et être réutilisé

jusqu'à trois fois. **Ne rincez pas et ne lavez pas le filtre HAF**, vu que ceci réduira l'efficacité du matériau électrostatique.

Conservez un filtre propre dans l'appareil, afin de protéger les composants internes contre l'accumulation de poussière et autres particules. Passez l'aspirateur ou remplacez le filtre avant chaque travail. Remplacez-le uniquement avec un nouveau filtre 3M HAF (Pièce Dri-Eaz № F421). Appelez votre distributeur local pour les pièces et services, ou appelez le service technique Dri-Eaz au 800-932-3030 ou au 360-757-7776.

**ATTENTION** - La poussière peut causer une surchauffe et un arrêt de l'appareil. N'utilisez pas celui-ci en présence d'une quantité excessive de particules en suspension dans l'air, comme lors de travaux de ponçage ou de peinture au pistolet. Examinez et nettoyez fréquemment les serpentins et les éléments du filtre à air.

**IMPORTANT - Remplacez le filtre HAF chaque fois que 1) l'aspirateur a été passé 3 fois ou 2) le filtre a été utilisé lors d'un travail de restauration en raison de moisissures, ou s'il a été exposé à d'autres impuretés présentant un danger potentiel.**

## Tous les mois

**Examinez les serpentins.** Les serpentins sales peuvent créer une surchauffe de l'appareil. Nettoyez-les si ils présentent une saleté évidente. Reportez-vous à la section « Nettoyage », page 30.

**Examinez le bloc d'échange thermique.** Nettoyez-le avec de l'air comprimé uniquement. Veillez à ne pas endommager le bloc.

**Examinez et nettoyez la pompe.** Pour retirer l'ensemble de la pompe de condensat,

1. Débranchez l'appareil et retirez le cordon.
2. Retirez les cinq vis de fixation du bas du panneau métallique arrière inférieur, ainsi que les deux boulons qui maintiennent le bas du panneau arrière en polyéthylène (cf. Fig. D).
3. Déconnectez les tuyaux d'arrivée et de sortie de la pompe.

4. Retirez le support de fixation de la pompe (1 vis).
5. Faites tourner la pompe horizontalement vers la droite, puis basculez-la vers le haut, en veillant à éviter la boîte de connexion en métal située au-dessus. Tirez sur la pompe pour la faire sortir de l'ensemble, puis déconnectez le câble électrique.
5. Placez la pompe sur une surface solide. Relevez le boîtier de pompe en plastique blanc pour le détacher du récipient de collecte d'eau en plastique noir. Utilisez un chiffon doux et absorbant pour essuyer tous les débris se trouvant à l'intérieur du récipient. Remettez le boîtier de pompe sur le récipient et assurez-vous qu'il est bien en place.
6. Suivez ces instructions dans l'ordre inverse pour réinstaller la pompe.

## Tous les ans

Faites faire une vérification du système de pompe par le service technique de Dri-Eaz (800-932-3030) ou par un centre de services qualifié.

## TRANSPORT ET ENTREPOSAGE

**AVIS** - Manipulez l'appareil avec le plus grand soin. Ne le laissez pas tomber, ne le lancez pas, et ne le placez pas dans un endroit d'où il pourrait tomber. L'équipement pourrait subir des dommages s'il est traité sans précaution, ce qui pourrait créer des conditions dangereuses ou annuler la garantie.

**IMPORTANT** - N'oubliez pas de purger l'eau du réservoir de la pompe avant de déplacer l'appareil. Voir la fonction PURGE au paragraphe « Comment utiliser le panneau de commande » page 27. Notez que l'appareil doit être branché pour que l'opération de purge se fasse.

1. N'exposez pas le panneau de commande à la moisissure, à la neige ou à la pluie lorsque vous le transportez dans des véhicules non couverts, tels que des camions à plate-forme.
2. Entrez-le et transportez-le en toute sécurité afin d'éviter tout impact nuisible sur les pièces internes.

## NETTOYAGE

### Avertissement!

Débranchez l'appareil avant tout entretien.

Pour assurer un fonctionnement efficace de l'appareil, assurez-vous que les serpentins et le bloc d'échange thermique restent propres. Vous pouvez accéder sans difficulté à ces composants en retirant les couvercles latéraux et arrière de l'appareil, tel que décrit ci-dessous :

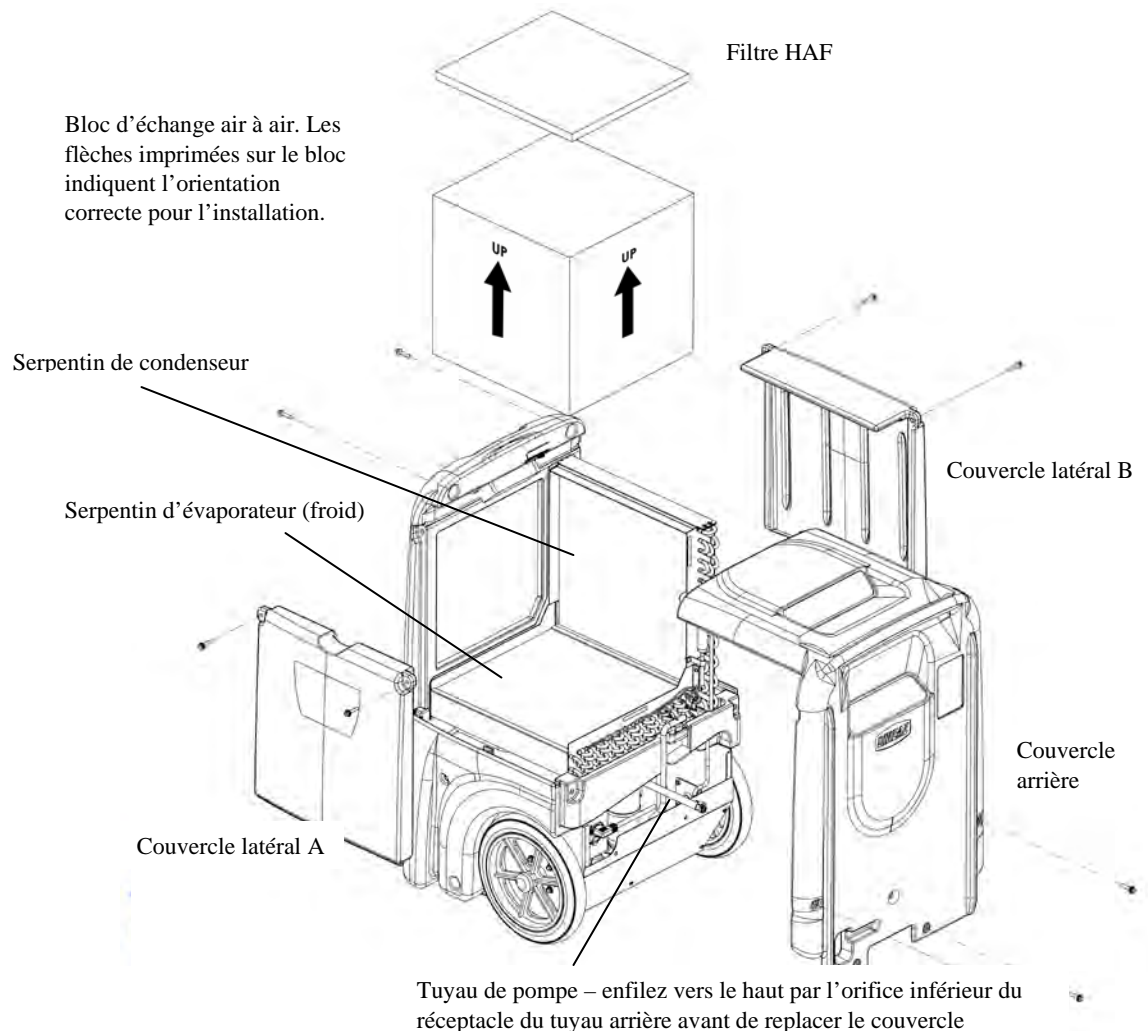
1. Débranchez l'appareil.
2. Débranchez le cordon d'alimentation de sa prise femelle, dans la base de l'appareil. Retirez le tuyau de la pompe au niveau du raccord rapide.
3. Retirez le filtre HAF.
4. Retirez les deux couvercles latéraux A et B (dévissez les deux boulons indiqués pour chaque panneau).
5. Retirez le couvercle arrière (dévissez les quatre boulons indiqués sur l'arrière et les deux boulons situés sur le panneau avant supérieur).
6. Déposez le bloc d'échange thermique.

Examinez le bloc d'échange thermique avec soin. Si nécessaire, utilisez de l'air comprimé pour nettoyer les canaux du bloc, en veillant à ne pas endommager le bloc.

**AVIS** - L'appareil est doté de capteurs électroniques sensibles. Protégez-les contre tout impact et ne les exposez pas à de l'eau ou à des solutions de nettoyage.

Passez l'aspirateur ou utilisez de l'air comprimé sur les deux côtés du serpentin vertical (condenseur), jusqu'à ce qu'il soit propre. Veillez à ne pas laisser la buse entrer en contact avec les ailettes, ce qui pourrait les endommager.

## FIG. E : NETTOYAGE



**AVIS** - Le nettoyant pour serpentins Dri-Eaz (Pièce Dri-Eaz n° S402) peut seulement être utilisé sur le serpentin froid (évaporateur) horizontal. Suivez les instructions fournies sur l'étiquette du produit. Veillez à ne pas vaporiser ou étaler le nettoyant pour serpentins sur des composants électriques ou les capteurs. Pour nettoyer le serpentin vertical, communiquez avec le service pour des instructions.

Pour le remontage, suivez les étapes ci-dessus dans l'ordre inverse. Veillez à bien remonter le bloc d'échange thermique en respectant son orientation de départ. Lors de la mise en place du couvercle arrière, enfiler pour commencer le tuyau de la pompe avec précaution par l'orifice situé dans le réceptacle arrière.

**AVIS** - Des bandes en caoutchouc sont attachées sur les bords extérieurs des serpentins de l'évaporateur et du condenseur, afin de fournir un joint étanche à l'air autour du bloc d'échange thermique. Lors de la réinstallation du bloc, assurez-vous que les joints sont en place et qu'ils ne sont pas tordus ou pliés.

## ÉTAT DU SYSTÈME ET MESSAGES DE DONNÉES

Le tableau ci-dessous est un résumé des messages d'état et de données produits par le déshumidificateur de gamme « i ». La colonne de gauche affiche les messages visibles sur le panneau de commande. La colonne du milieu affiche les messages ayant trait au système de surveillance à distance HygroTrac et qui sont indiqués sur le site Web HygroTrac. Le site Web HygroTrac affiche également l'un des trois messages d'état pour chaque appareil de gamme « i » détecté par une passerelle HygroTrac : S pour standby (en attente) (l'appareil est déconnecté de l'alimentation secteur mais l'émetteur sans fil fonctionne correctement), A pour actif (l'appareil envoie des données et des messages d'état normaux), ou I pour inactif (l'appareil n'envoie pas de messages).

|                 | MESSAGE DU PANNEAU DE COMMANDE   | MESSAGE DU SITE WEB HYGROTRAC                                                                       | EXPLICATION                                                                                                                                                                                      |
|-----------------|----------------------------------|-----------------------------------------------------------------------------------------------------|--------------------------------------------------------------------------------------------------------------------------------------------------------------------------------------------------|
| ÉTAT DU SYSTÈME | XXXX HRS TRAVAIL                 | Dehumidifier On (Déshumidificateur en marche)                                                       | Fonctionnement normal.                                                                                                                                                                           |
|                 | XXXX HRS TRAVAIL DÉGIVRAGE       | In Defrost Mode (En mode de dégivrage)                                                              | Fonctionnement normal. L'appareil est en mode de dégivrage. Aucune action n'est requise.                                                                                                         |
|                 | ETEINT                           | Dehumidifier Off AC power present. (Déshumidificateur arrêté – Alimentation secteur présente)       | L'appareil est éteint. L'alimentation secteur est présente.                                                                                                                                      |
|                 | XXXX HRS TRAVAIL PANNE COURANT>  | Dehumidifier Restarted after Power Failure (Déshumidificateur redémarré après panne d'alimentation) | L'appareil a subi une panne d'alimentation, mais il a pu redémarrer.                                                                                                                             |
|                 | HYGROSTAT ENTRÉE XXX°C           | Hygrostat Controlled (Commandé par l'hygrostat)                                                     | Le mode Hygrostat est activé et le déshumidificateur est sous tension.                                                                                                                           |
|                 | CYCLE HAUTE TEMP XX MIN RESIDUEL | In High Temp mode (En mode Haute température)                                                       | LGR 2800i only. Fonctionnement normal. L'appareil a détecté des températures ambiantes plus élevées et a changé de mode pour pouvoir fonctionner plus efficacement. Aucune action n'est requise. |
|                 | [écran vide]                     | Stand-by Mode (Mode en attente)                                                                     | Aucune alimentation secteur. L'émetteur sans fil fonctionne normalement. Aucune action n'est requise.                                                                                            |

## MESSAGES D'ERREURS

Le tableau ci-dessous indique des messages d'erreurs que le système pourrait détecter. Si l'écran affiche un message « ER », commencez par débrancher l'appareil, puis rebranchez-le. Ceci peut réinitialiser les composants électroniques et, si ceci est le cas, aucune action supplémentaire n'est requise. Si le message d'erreur réapparaît, essayez la solution indiquée sous le titre « Explication ». Si ceci ne résout toujours pas le problème, contactez votre centre de services agréé local ou appelez le service technique Dri-Eaz au 800-932-3030.

|                | MESSAGE DU PANNEAU DE COMMANDE | MESSAGE DU SITE WEB HYGROTRAC                                                  | EXPLICATION                                                                                                                                                                                                         |
|----------------|--------------------------------|--------------------------------------------------------------------------------|---------------------------------------------------------------------------------------------------------------------------------------------------------------------------------------------------------------------|
| ERREUR SYSTÈME | ER1 CONTACTER CENTRE SERVICE   | Failure: Contact Service Center (Défaillance : contacter le service technique) | Vérifiez l'alimentation secteur pour vous assurer que la tension est adéquate. Un remplacement du panneau de commande électronique sera peut-être nécessaire. Contactez le service technique.                       |
|                | ER2 CONTACTER CENTRE SERVICE   | Failure: Contact Service Center (Défaillance : contacter le service technique) | Un remplacement du panneau de commande électronique sera peut-être nécessaire. Contactez le service technique.                                                                                                      |
|                | ER3 CONTACTER CENTRE SERVICE   | Failure: Contact Service Center (Défaillance : contacter le centre de service) | Examinez le capteur de dégivrage pour vous assurer que la connexion est adéquate. Regardez si le câble du capteur est intact. Un remplacement du capteur sera peut-être nécessaire. Contactez le service technique. |

|                                                                                   |                                                                                                              |                                                                                                                                                                                                          |
|-----------------------------------------------------------------------------------|--------------------------------------------------------------------------------------------------------------|----------------------------------------------------------------------------------------------------------------------------------------------------------------------------------------------------------|
| ER4 ✓ CONNEXION<br>CAPTEUR DEGIVR.<br>– ou –<br>ER4 ✓ CONNEXION<br>CAPTEUR SORTIE | Check Sensor Connections<br>(Vérifier les connexions du capteur)                                             | Vérifiez que le capteur de dégivrage est connecté de manière adéquate. Regardez si le câble du capteur est intact. Un remplacement du capteur sera peut-être nécessaire. Contactez le service technique. |
| ER5 ✓ CONNEXION<br>DU CAPTEUR                                                     | Check Temp/RH Sensor Connections<br>(Vérifier les connexions du capteur température/HR)                      | Vérifiez les connexions du capteur température/HR.                                                                                                                                                       |
| ER6 CONTACTER CENTRE<br>SERVICE                                                   | Failure: Contact Service Center<br>(Défaillance : contacter le centre de service)                            | Il faut peut-être remplacer le panneau haute-tension. Contactez le service technique.                                                                                                                    |
| ER7 RÉGLAGE INVALIDE                                                              | Failure: Contact Service Center<br>(Défaillance : contacter le centre de service)                            | Réglage incorrect pour les commutateurs DIP ou version incorrecte pour ce modèle spécifique. Contactez le service technique.                                                                             |
| ER8 TCH COINCÉE ✓<br>TOUTES TOUCHES                                               | Dehumidifier Off. Button Stuck on Controller<br>(Déshumidificateur arrêté. Touche coincée sur le contrôleur) | Appuyez sur chaque touche à membrane et vérifiez que chacune d'entre elles fonctionne de manière adéquate. Il faudra peut-être remplacer le clavier à membrane. Contactez le service technique.          |
| ER9 BLOCAGE ✓<br>POMPE/BOYAU                                                      | Dehumidifier Off: Check Hose and Pump<br>(Déshumidificateur arrêté : examiner le tuyau et la pompe)          | Recherchez des obstructions dans le tuyau de vidange. Vérifiez la pompe.                                                                                                                                 |

## DIAGNOSTICS DE PANNES



| PROBLÈME                                              | CAUSE                                                                                                               | SOLUTION                                                                                                                                              |
|-------------------------------------------------------|---------------------------------------------------------------------------------------------------------------------|-------------------------------------------------------------------------------------------------------------------------------------------------------|
| L'appareil ne fonctionne pas.                         | Aucune alimentation pour l'appareil.<br>L'appareil n'est pas en marche.                                             | Branchez l'appareil; vérifiez l'alimentation à la prise et à la base de l'appareil. Mettez-le en marche.                                              |
| La roue de la soufflante ne tourne pas.               | Soufflante obstruée.                                                                                                | Retirez l'anneau du conduit et la grille.<br>Enlevez l'obstruction.<br>Remettez l'anneau du conduit et la grille en place.                            |
| L'appareil fonctionne, mais la pièce ne sèche pas.    | Temps insuffisant pour le séchage.<br>Mauvais déplacement d'air dans la pièce. Infiltration excessive d'air humide. | Laissez plus de temps pour le séchage.<br>Augmentez le déplacement d'air avec les déplaceurs d'air.<br>Réduisez l'infiltration.                       |
| L'appareil recueille une quantité d'eau insuffisante. | L'air de la pièce est sec.<br>La température de la pièce est trop basse.                                            | Vérifiez l'humidité avec un hygromètre.<br>Augmentez la température de la pièce.<br>Examinez le filtre et les serpentins; nettoyez selon les besoins. |

*Si le problème que vous avez rencontré n'est pas indiqué ici, appelez votre distributeur local ou contactez le service technique au numéro sans frais 800-932-3030 pour plus de support.*

## FICHE TECHNIQUE

| Modèle                                      | LGR 2800i F410                        | LGR 3500i F411                        |
|---------------------------------------------|---------------------------------------|---------------------------------------|
| Poids                                       | 165 lb   75 kg                        | 165 lb   75 kg                        |
| Dimensions<br>(H x P x L)                   | 123 x 58 x 61 cm<br>48,5 x 23 x 24 po | 123 x 58 x 61 cm<br>48,5 x 23 x 24 po |
| Puissance                                   | 8 A, 115 V                            | 10,5 A, 115 V                         |
| AHAM de retrait<br>d'eau (80 °F/60 %<br>HR) | 61,5 litres   130<br>chopines / jour  | 80,4 litres   170<br>chopines / jour  |
| Retrait d'eau max.<br>(90 °F/90 % HR)       | 94,6 litres   200<br>chopines / jour  | 113,6 litres   240<br>chopines / jour |
| Retrait d'eau<br>(80 °F/20 % RH)            |                                       | 10,4 litres   22<br>chopines / jour   |
| Déplacement de<br>l'air (max)               | 679,7 CMH*   400<br>CFM               | 679,7 CMH*   400<br>CFM               |
| Filtre d'air                                | Filtre 3M HAF (pièce<br>n° F421)      | Filtre 3M HAF<br>(pièce n° F421)      |

|                                                                                                                                                                                                      |                                                  |                                                   |
|------------------------------------------------------------------------------------------------------------------------------------------------------------------------------------------------------|--------------------------------------------------|---------------------------------------------------|
| Cordon<br>d'alimentation                                                                                                                                                                             | Amovible 7,6 m   25<br>pieds                     | Amovible 7,6 m   25<br>pieds                      |
| Construction                                                                                                                                                                                         | Enveloppe<br>rotomoulée                          | Enveloppe<br>rotomoulée                           |
| Sécurité                                                                                                                                                                                             | Certifié ETL pour UL<br>474 et CSA 22.2 n°<br>92 | Certifié ETL pour<br>UL 474 et CSA<br>22.2 no. 92 |
| <p>La fiche technique peut être modifiée sans avis préalable.<br/>Certaines valeurs peuvent être approximatives.<br/>* Vitesse variable automatique pour assurer les performances<br/>optimales.</p> |                                                  |                                                   |

Les données de garantie sont disponibles à l'adresse [www.dri-eaz.com](http://www.dri-eaz.com). MICROBAN® est une marque déposée de Microban Products Company.



