

DRI-EAZ®

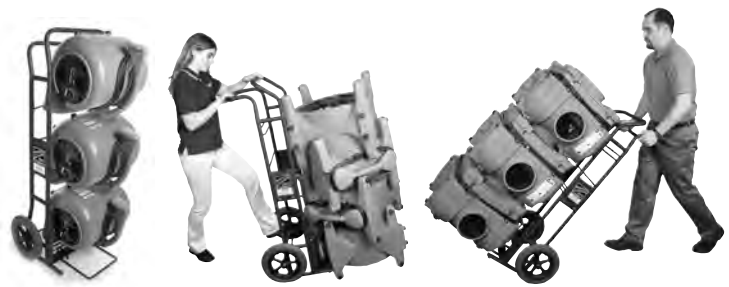
FIRST IN **DRYING SOLUTIONS**

DRI-EAZ PRODUCTS, INC.

15180 Josh Wilson Road, Burlington, WA USA 98233

Fax: (360) 757-7950 | Phone US: (360) 757-7776 | www.dri-eaz.com

Unimover™ Hand Truck Assembly Instructions



Move 3 TurboDryers®

up to 4 Aces®

or 3 HEPAs®

NOTICE

For Dri-Eaz products only.

Max. 4 units or 200 lbs.

Not designed for general use.

Lifting other items can damage hand truck.

Engage handle latch before moving stacked units.

Stack units interlocked for stability.

Assembly instructions

If your Unimover hand truck is not assembled, follow the instructions below to ensure proper assembly and user safety.

Parts included:

- 12 - 1/4" washers
- 12 - 1/4"-20 x 3/4" bolts
- 12 - 1/4"-20 locknuts
- 2 - 1/2"-13 locknuts
- 2 - 1/2" washers
- Axle
- 2 wheels
- 2 black plastic dust caps
- Top section - hand truck frame
- Bottom section - hand truck frame

Tools needed for assembly:

- Two 7/16" wrenches
- Ratchet + 3/4" socket

Metric Equivalents:

- Two 11 mm wrenches
- Ratchet + 19 mm socket

Steps for assembly:

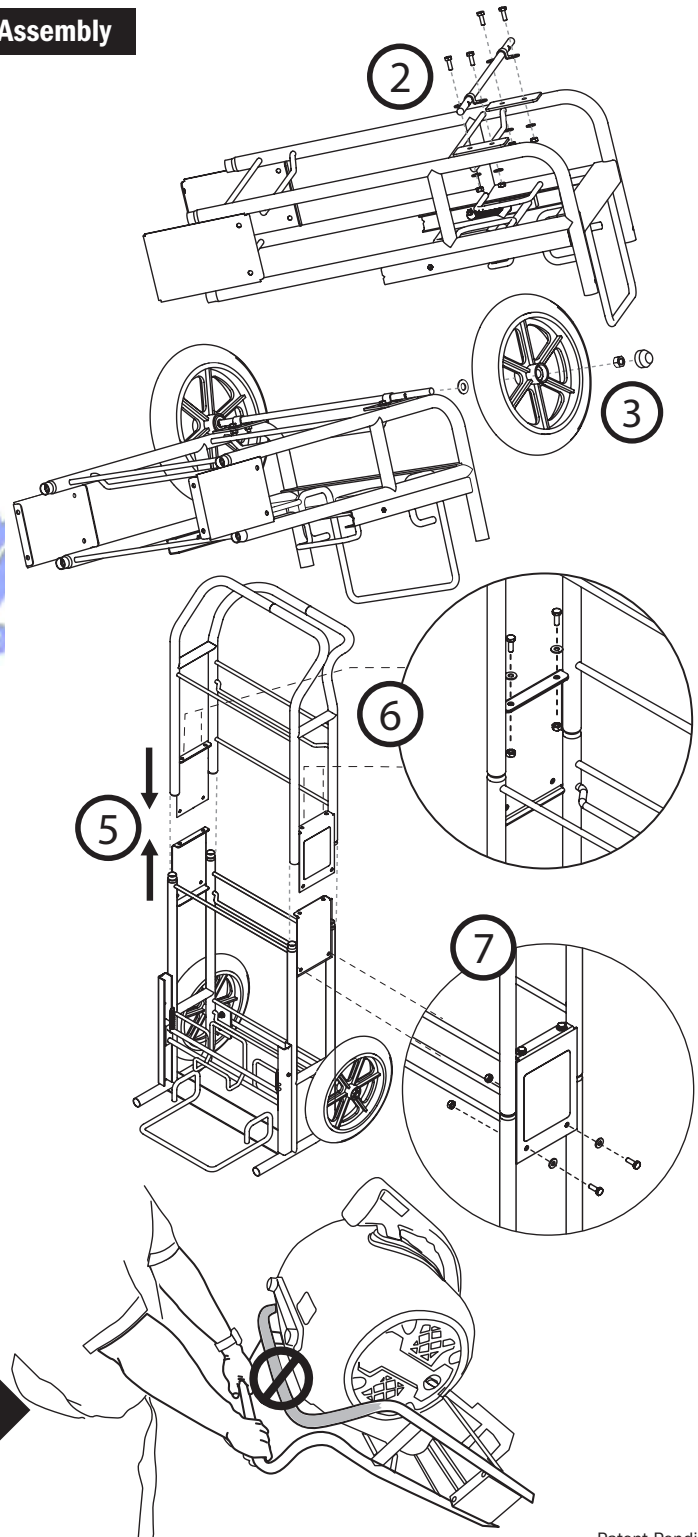
1. Lay bottom section face down.
2. **Attach the axle**, placing 4 bolts, 4 - 1/4" washers and 4 - 1/4"-20 locknuts in axle on mounting plates in lower back. Tighten securely with wrenches.
3. **Attach wheels on end of axle** using 2 - 1/2" washers and 2 - 1/2"-13 locknuts. Tighten until secure using 3/4" socket (wheel should spin freely with no play). Snap black plastic dust caps on to the end.
4. Stand bottom section of frame upright.
5. **Place top section on bottom section, lining up holes.**
6. Use 4 - 1/4" bolts, washers and locknuts to **bolt top horizontal flanges together.**
7. Use remaining 4 - 1/4" bolts to **secure bottom vertical plates together.** Tighten securely with wrench

WARNING!

When tipping hand truck back, airmovers could shift against top support bar and pinch fingers. Always use handle bar (the one closest to you) when tipping hand truck.

07-01545 REV E 05-06 Copyright © 2006, Dri-Eaz Products, Inc.

Assembly



Patent Pending

Air Marketing Group LLC

141 Kinderkamack Rd, Park Ridge, NJ 07656 Tel: 201-782-1782 Fax: 201-782-1783 Web: www.amgair.com Email: info@amgair.com

DRI-EAZ®

FIRST IN DRYING SOLUTIONS

DRI-EAZ PRODUCTS, INC.

15180 Josh Wilson Road, Burlington, WA USA 98233

Fax: (360) 757-7950 | Phone US: (360) 757-7776 | www.dri-eaz.com

Unimover™ Hand Truck Use Instructions

NOTICE

For Dri-Eaz products only.

Max. 4 units or 200 lbs.

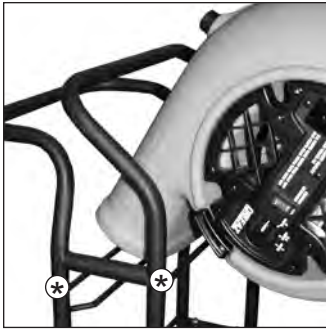
Not designed for general use.

Lifting other items can damage hand truck.

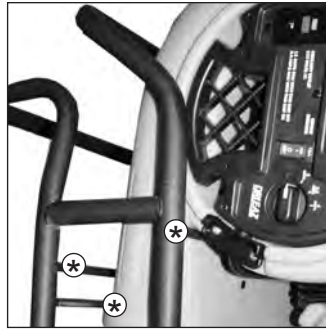
Engage handle latch before moving stacked units.

Stack units interlocked for stability.

TURBODRYERS®



TurboDryers Picture 1:
Place snout of TurboDryer into slot* as shown.

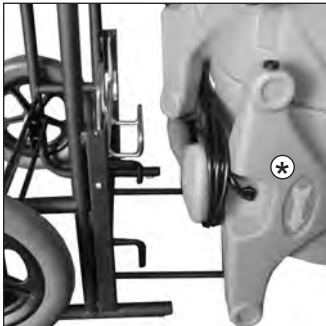


TurboDryers Picture 2:
When snout is mounted correctly the bars* will keep the TurboDryer securely in place.



TurboDryers Picture 3:
Properly stacked TurboDryers are now ready for moving on and off the job. If transporting on van while loaded, secure Unimover to van interior to prevent movement in transit.

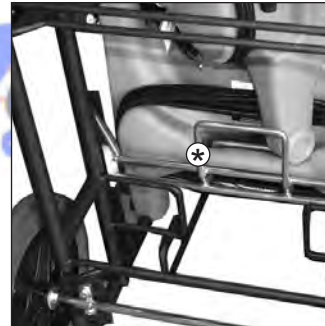
ACE TURBODRYERS®



Ace Picture 1:
Stack up to 4 Ace TurboDryers with arrow* facing downward.



Ace Picture 2:
Next, use foot to depress spring-loaded mechanism* on Unimover™.



Ace Picture 3:
With mechanism depressed, slide Unimover hook* under bottom Ace TurboDryer handle & release.



Ace Picture 4:
Properly stacked Ace TurboDryers are now ready for transporting.

DEFENDAIR® HEPA 500s



HEPA Picture 1:
Stack up to 3 HEPA 500s. First depress spring-loaded mechanism* on Unimover.



HEPA Picture 2:
Next, slide Unimover hook* under bottom HEPA 500 handle and release.



HEPA Picture 3:
Properly stacked HEPA 500s are now ready for transporting.

Patent Pending

Air Marketing Group LLC

141 Kinderkamack Rd, Park Ridge, NJ 07656 Tel: 201-782-1782 Fax: 201-782-1783 Web: www.amgair.com Email: info@amgair.com

DRI-EAZ LIMITED WARRANTY

(Unimover hand truck)

What Does This Warranty Cover?

This warranty covers the Dri-Eaz Unimover hand truck and is provided to the original purchaser only.

How Long Does This Warranty Last?

This warranty runs for:

- Lifetime from the date of purchase on the frame;
- One (1) year from the date of purchase on parts and labor (EXCEPT this warranty does not cover spring or plastic feet).

What Dri-Eaz Will Do:

If a defect in materials or workmanship occurs within the warranty period, Dri-Eaz at its election will repair or replace the defective part at no charge.

What This Warranty Does Not Cover:

This warranty does not cover or apply to defects due directly or indirectly to misuse, abuse, disassembly, alteration, corrosive chemicals, fire, flood, negligence, accident, improperly or incorrectly performed maintenance or repair, or failure to perform necessary or recommended maintenance or repair (See Assembly and Use Instructions) or if the use of this product is not in compliance with the instructions and specifications for its use. We limit all implied warranties to:

- Lifetime from the date of purchase on frame;
- One (1) year from the purchase date on parts and labor (EXCEPT this warranty does not cover spring or plastic feet);

OTHER THAN THE WARRANTIES PROVIDED HEREIN, DRI-EAZ MAKES NO EXPRESS OR IMPLIED, ORAL OR WRITTEN WARRANTIES WITH RESPECT TO THIS PRODUCT OR WORKMANSHIP AND ALL WARRANTIES IMPLIED BY LAW INCLUDING ANY WARRANTIES OF MERCHANTABILITY OR FITNESS FOR A PARTICULAR PURPOSE ARE LIMITED TO THE DURATION OF THIS WARRANTY. Some states do not allow limitations on how long an implied warranty lasts, so the above limitations may not apply to you. **WE SHALL IN NO EVENT BE LIABLE FOR DEATH, INJURIES TO PERSONS OR PROPERTY OR FOR INCIDENTAL, CONTINGENT, SPECIAL OR CONSEQUENTIAL DAMAGES ARISING FROM USE OF OUR PRODUCTS.** Some states do not allow the exclusion or limitation of incidental or consequential damages, so the above limitation or exclusion may not apply to you.

How Do I Get Service?

In order to be eligible for service under this warranty you MUST do the following: (a) register your product on-line at <http://www.dri-eaz.com/PRODUCTS/Warranty.html> within thirty (30) days of purchasing our product; (b) write or call for a return material authorization (RMA); and (c) have the serial number and original proof of purchase available. Contact us at:

Dri-Eaz Products, Inc.
(360)757-7776 or (800) 932-3030
15180 Josh Wilson Road
Burlington, WA 98233

We will inspect the product without charge and contact you within 72 hours of our receipt of the product to give you the results of our inspection. If our inspection uncovers a defect we will repair or replace the product, at our election. If the product is returned to us on or before one (1) year from the date of purchase, we will pay for the cost of shipping it to Dri-Eaz and the cost to return it to you. If the product is returned to us after the expiration of one (1) year from the date of purchase, all shipping costs shall be paid by the purchaser.

If it is determined that there is no defect in the product, or that the defect resulted from causes not within the scope of our warranty, then the product will be repaired or replaced only at your request and at your expense and you must bear all shipping costs.

How Does State Law Apply?

This warranty gives you specific legal rights, and you may also have other rights which vary from state to state.