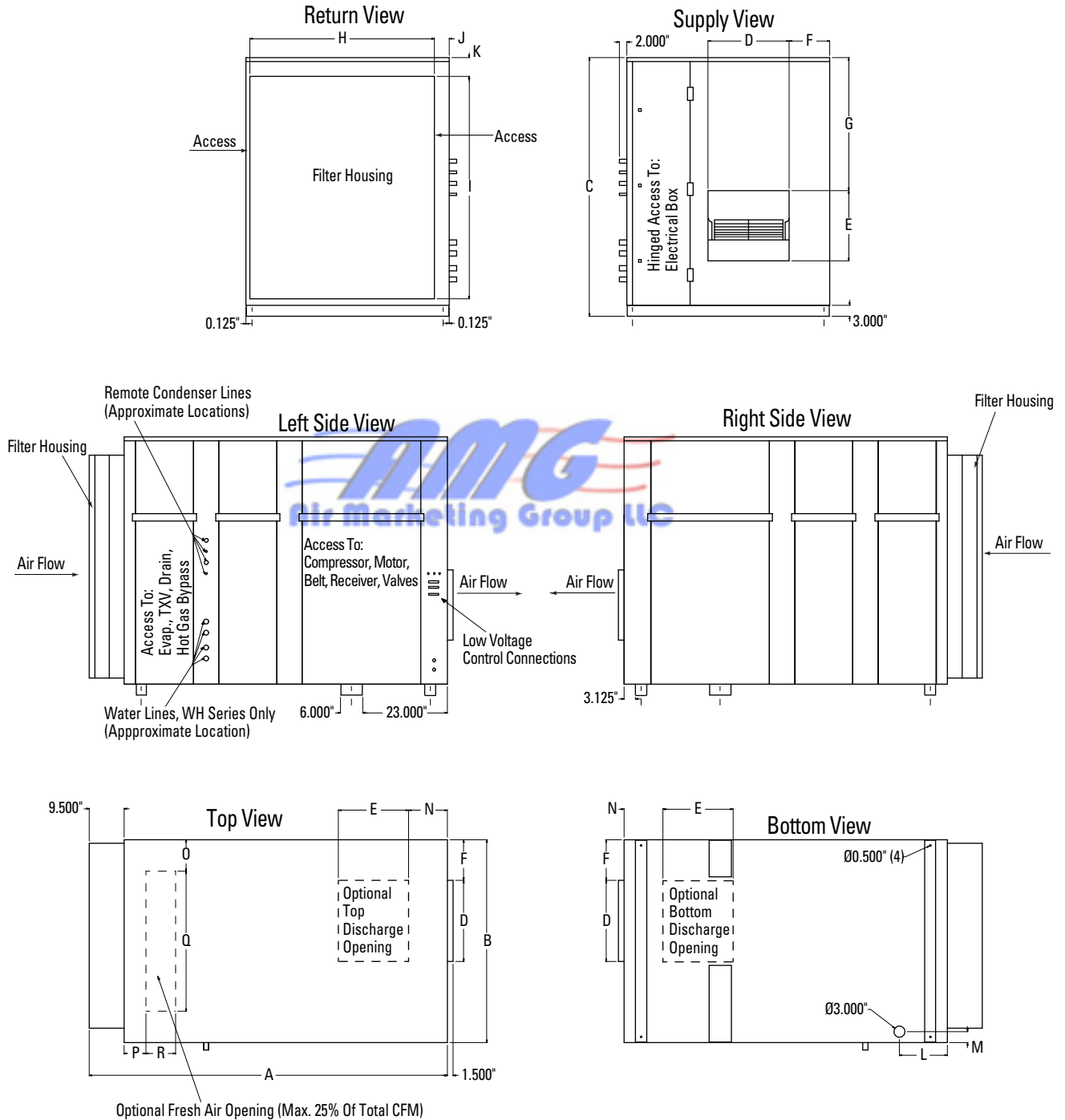


**DEHUMIDIFICATION SYSTEMS
DCA 8000T, DCA 9000T**

PHYSICAL DIMENSIONS

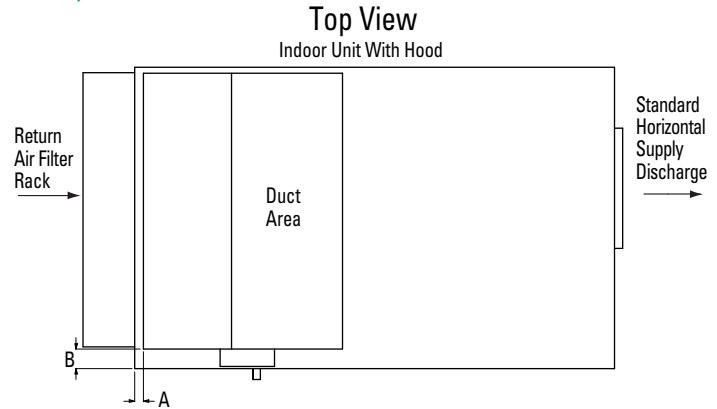
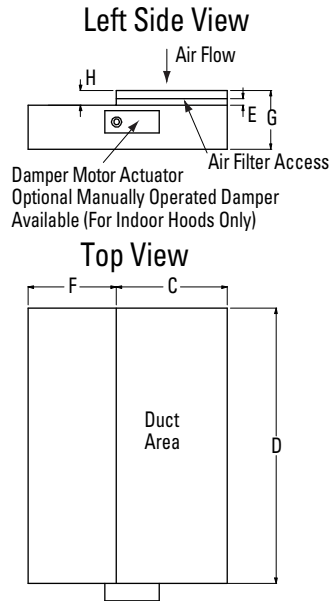


	A	B	C	D	E	F	G	H	I	J	K	L	M	N	O	P	Q	R
DCA 8000T	97	55	70	21 7/8	18 7/8	11	36	50	60 1/4	4	5	13	3	10 1/2	8 1/2	5 1/2	38	8
DCA 9000T	97	55	70	21 7/8	18 7/8	11	36	50	60 1/4	4	5	13	3	10 1/2	8 1/2	5 7/8	38	8

CAUTIONS: All dimensions in inches and are subject to change without notice.

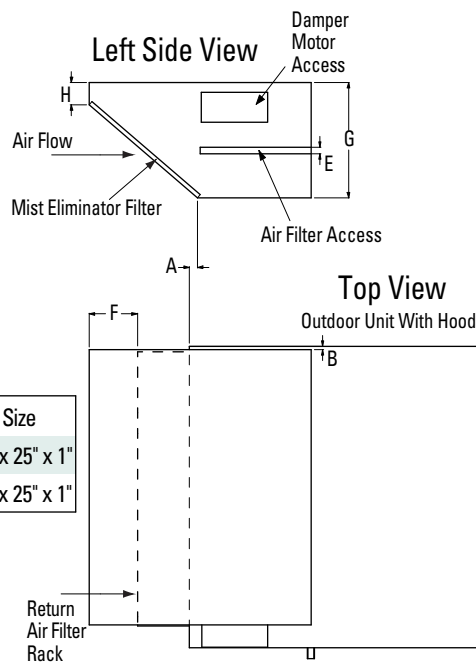
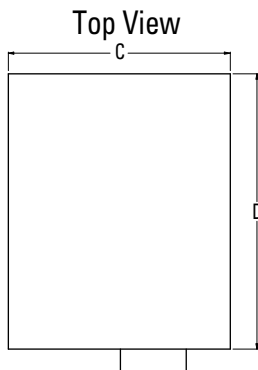
Air Marketing Group LLC

INDOOR HOOD (INDOOR INSTALLATION)



Model	A	B	C	D	E	F	G	H	Filter Size
DCA 8000T	1 1/2	3 5/8	20 1/4	50 1/4	1 1/4	16 1/8	10 3/4	2 3/4	(2) 20" x 25" x 1"
DCA 9000T	1 1/2	3 5/8	20 1/4	50 1/4	1 1/4	16 1/8	10 3/4	2 3/4	(2) 20" x 25" x 1"

OUTDOOR HOOD (OUTDOOR INSTALLATION)



Model	A	B	C	D	E	F	G	H	Filter Size
DCA 8000T	1 1/2	5/8	40 5/8	50 1/4	1 1/4	8 3/4	21	4	(2) 20" x 25" x 1"
DCA 9000T	1 1/2	5/8	40 5/8	50 1/4	1 1/4	8 3/4	21	4	(2) 20" x 25" x 1"

CAUTIONS: All dimensions in inches and are subject to change without notice.