



# SUBMITTAL MH080FXCA4A

Free Joint Multi, 2 - 4 zone condensing unit

Job Name	Location		
Purchaser	Engineer		
Submitted to	Reference	Approval	Construction
Unit Designation	Schedule#		

## MH080FXCA4A Condenser Specifications

System Performance*	Maximum Connected Capacity		36,000
	Minimum Capacity*	Cooling (Btu/h)	6,500
		Heating (Btu/h)	7,500
	SEER / EER		Dependant on indoor unit
HSPF		Dependant on indoor unit	
Power	Voltage (øV/Hz)		1 / 208-230 / 60
	Rated Current (amps)	Cooling	12.3
		Heating	12.6
	Max Breaker	Amps	30
Operating Temperatures	Cooling	°F	23 ≤ T ≤ 115
	Heating	°F	5 ≤ T ≤ 75
Pipe Connections	High side		1/4" X 4
	Low side		3/8" X 3 + 1/2" X 1
	Maximum Line Set Length		225 feet
	Maximum Vertical Separation		98 feet (trap required at 26 feet)
	Maximum Individual Line Set Length		75 feet
Condenser Fan	Motor		BLDC With Axial Type Fan (1)
	Output	W	130
Compressor	Type		DC, Inverter Driven, Twin BLDC Rotary
Heat Exchanger	Type		Aluminum Fin - Copper Tube
	Rows		2
Refrigerant	Type		R410A
	Control Method		Electronic Expansion Valve
	Factory Charge (oz.)		98.7
	Charged for		131 feet
Additional Refrigerant		0.11 oz/ft over 131 feet	
Sound Pressure Level		dB	50/51
Dimensions	W X H X D	Inches	34 5/8 X 31 3/8 X 12 1/4
	Weight	lbs.	156
Accessories	Wall Bracket		CKN-250
	Line Sets - 25' and 50'		Insulated and flared, interconnect cable included
Certifications	Performance	AHRI Certification Number	Non-Ducted Indoor Units - 3069050
			Ducted Indoor Units - 3069049
	Safety Certifications		ETL & ETLc



• Low ambient control built in

• MH080FXCA4A shall supply power to indoor units via 14AWG X 3 power wire

### Construction

• The outdoor unit shall be galvanized steel with a baked on powder coated finish for durability

### Heat Exchanger

• The heat exchanger shall be mechanically bonded fin to copper tube

### Controls

• Control signal shall be a DDC type signal

• 16AWG X 2 shielded interconnect wire between condenser and evaporator for communication

• Controls shall integrate with a BMS system

### Refrigerant System

• The refrigerant shall be R410A

• The compressor shall be hermetically sealed, inverter controlled, Twin BLDC Rotary

• Refrigerant flow shall be controlled by 4 separate electronic expansion valves at outdoor unit

### Compatibility

• Will only operate with Samsung evaporator model numbers: MH026FNCA, MH026FECA, NJ0261HXCA, NJ026MHXCA, NJ030MHXCA, MH035FNCA, MH035FECA, NJ0351HXCA, NJ035MHXCA, MH052FNCA, MH052FECA, NJ052MHXCA

This Condensing Unit Can Be Matched Up With The Following Combinations

1 X MH026/NJ026/NJ030 + 1 X MH052/NJ052	2 X MH026/NJ026/NJ030 + 1 X MH052/NJ052
2 X MH052/NJ052	2 X MH035/NJ035 + 1 X MH026/NJ026/NJ030
3 X MH026/NJ026/NJ030	3 X MH035/NJ035
2 X MH026/NJ026/NJ030 + 1 X MH035/NJ035	4 X MH026/NJ026/NJ030

\*Nominal cooling capacities are based on: Indoor temperature: 80°F DB, 67°F WB. Outdoor temperature: 95

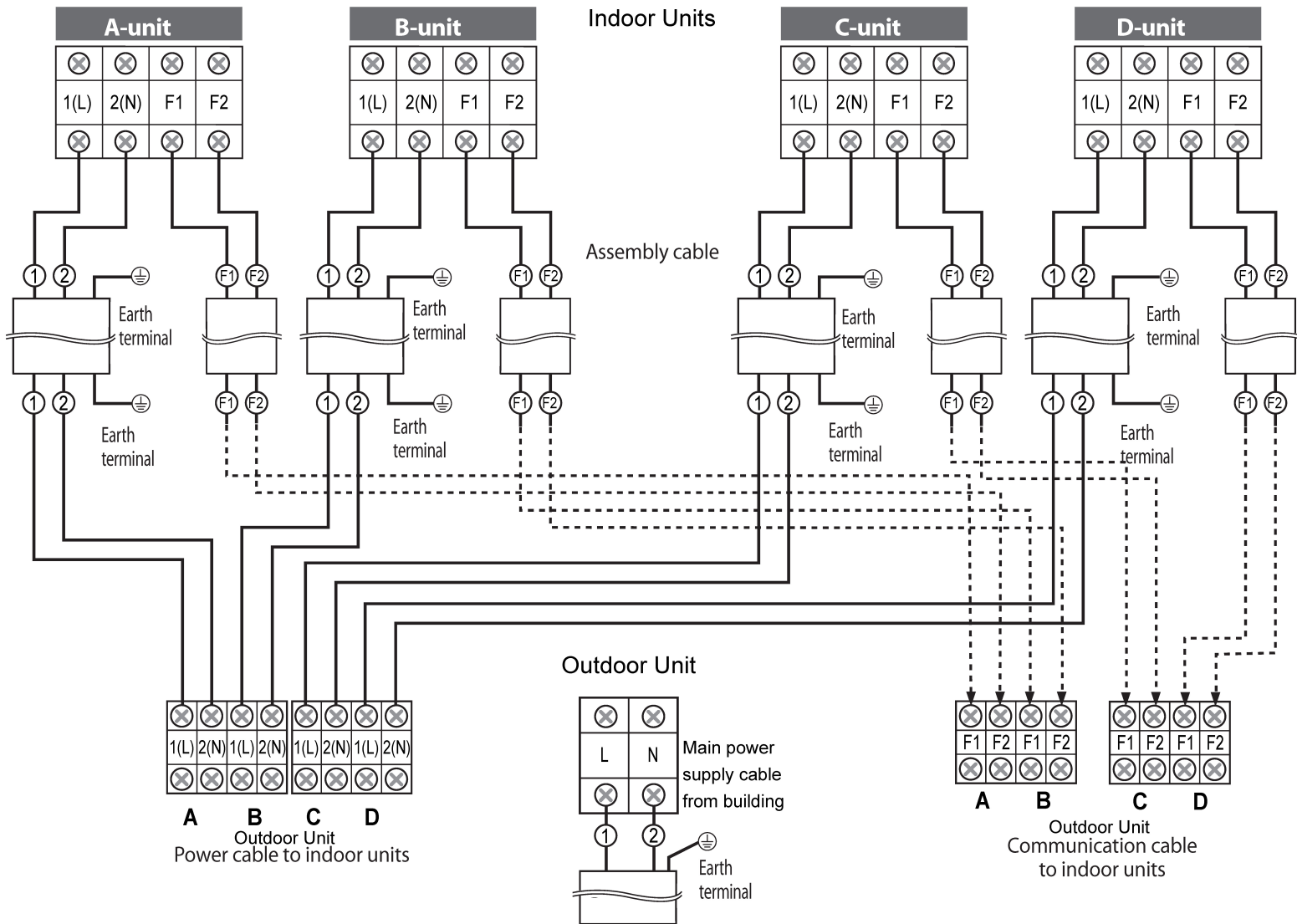
\*Nominal heating capacities are based on: Indoor temperature: 70°F DB, 60°F WB. Outdoor temperature: 47

Quietside maintains a policy of ongoing development, specifications are subject to change without notice. Refer to [www.AHRIdirectory.org](http://www.AHRIdirectory.org) for current reference numbers.



**SUBMITTAL MH080FXCA4A Condenser**

Free Joint Multi, 2 - 4 zone condensing unit



This simple wiring diagram is for reference only. Please refer to installation manuals for full information and requirements.

Quietside maintains a policy of ongoing development, specifications are subject to change without notice.

**Quietside West :** 8750 Pioneer Blvd, Santa Fe Springs, CA 90670 • Phone : 888-699-6067 • Fax : 562-699-4351

**Quietside Central :** 3001 Northern Cross Blvd. Suite 361, Fort Worth, TX 76137 • Phone : 817-838-6066 • Fax : 817-838-8670

**Quietside East :** 6 Pine Hill Drive, Carlisle, PA 17013 • Phone : 1-877-262-4731 • Fax : 717-243-7917