



SUBMITTAL AQV18VBE / AQV18VBEX

AQV18VBE Vivace, wall mounted evaporator, single zone split system

| | | | |
|------------------|------------|----------|--------------|
| Job Name | Location | | |
| Purchaser | Engineer | | |
| Submitted to | Reference | Approval | Construction |
| Unit Designation | Schedule # | | |

Specifications

| | | | |
|---------------------------|--|---------------------|------------------------------------|
| Performance | Nominal Capacity | Cooling (Btu/h) | 18,000 |
| | | Heating (Btu/h) | 20,500 |
| | Capacity Range | Cooling (Btu/h) | 6,600 - 21,000 |
| | | Heating (Btu/h) | 6,300 - 26,000 |
| | SEER / EER | | 16.0 / 10.6 |
| | HSPF | | 8.0 |
| Condensate (pints/hour) | | 5.28 | |
| Power | Voltage (ø/V/Hz) | | 1 / 208-230 / 60 |
| | Rated Current (Low/Std./Max.) | Cooling (A) | 3.0 / 7.5 / 9.0 |
| | | Heating (A) | 2.8 / 8.2 / 12.0 |
| | Max. Breaker | | 30 A |
| Min. Circuit Ampacity | | 17.7 A | |
| Dimensions | W X H X D (inches) | Indoor Unit | 42 X 11 3/4 X 8 5/8 |
| | | Outdoor Unit | 34 5/8 X 25 1/8 X 12 1/4 |
| | Weight (lbs.) | Indoor Unit | 28.6 |
| | | Outdoor Unit | 112 |
| Condensate Connection | | 11/16" OD | |
| Heat Exchanger | Indoor & Outdoor Unit | Type | Aluminum Fin - Copper Tube |
| | | FPI | 18 |
| | | Pipe Diameter | 1/4 inch |
| Sound Pressure Level (dB) | Indoor Unit | low/high | 30 / 40 |
| | Outdoor Unit | | 53 |
| Operating Temperatures | Cooling | °F | 14 ≤ T ≤ 115 |
| | Heating | °F | 5 ≤ T ≤ 75 |
| Pipe Connections | Indoor & Outdoor | High side (flare) | 1/4" |
| | | Low side (flare) | 1/2" |
| | Maximum Line Set Length | | 98 ft. |
| | Maximum Vertical Separation | | 49 ft. |
| | Oil Trap | | Every 32.8' of vertical separation |
| Refrigerant | Type | | R410A |
| | Control Method | | Electronic Expansion Valve |
| | Factory Charge (oz) | | 51.1 |
| | Charged for | | 25 ft. |
| Additional Refrigerant | | 0.15 oz/ft over 25' | |
| Compressor | Manufacturer | | Samsung |
| | Type | | DC, Inverter Driven, Twin Rotary |
| | RLA (A) | | 13.0 |
| Evaporator Fan | Type | | Crossflow (1) |
| | Air Volume L/M/H (CFM) | Cooling | 357 / 413 / 470 |
| | | Heating | 448 / 505 / 562 |
| Condenser Fan | Motor | | BLDC With Axial Type Fan (1) |
| | Output | W | 142 |
| | FLA | Amps | 0.62 |
| Accessories | Condensate pump | | ASP-MO-230 |
| | Wireless Remote Holder | | DB61-00204A |
| | Wall Bracket (for outdoor unit) | | CKN-250 (or larger) |
| | Line sets - insulated and flared, interconnect cables included | | 25' - ILS2507 50' - ILS5007 |
| Safety Certifications | | ETL & ETLc | |
| Warranty | 5 Years compressor, 3 Year Parts, 120 Day limited labor | | |



AQV18VBE



AQV18VBEX

- Low ambient control built in
- Outdoor unit shall provide 208/230V power to indoor unit via 14AWG X 3 interconnect power cable
- Electro-static, washable, silver coated main filter as standard
- Supplemental, replicable, anti-allergy and deodorizing filters as standard
- MPI Generator that eliminates airborne biological contaminants
- Digital status/function display on front panel
- Motorized front panel opens during operation

Construction

Indoor unit chassis shall be UL94 V0 with a galvanized steel mounting bracket

The outdoor unit shall be galvanized steel with a baked on powder coated finish for durability

Heat Exchanger

The heat exchanger shall be mechanically bonded fin to copper tube

Refrigerant System

The compressor shall be hermetically sealed, inverter controlled, Twin BLDC Rotary

Refrigerant flow shall be controlled by EEV (electronic expansion valve) at outdoor unit

Indoor Fan

The indoor fan shall be a single, antibacterial crossflow type

Three fan speed settings and auto setting

Controls

Control signal shall be DDC type signal

Interconnect control wiring shall be 16AWG X 2 shielded wire between outdoor and indoor units

Unit shall be operated via wireless controller (included)

Nominal cooling capacities are based on: Indoor temperature: 80°F DB, 67°F WB. Outdoor temperature: 95°F DB, 75°

Nominal heating capacities are based on: Indoor temperature: 70°F DB, 60°F WB. Outdoor temperature: 47°F DB, 43°F WB.

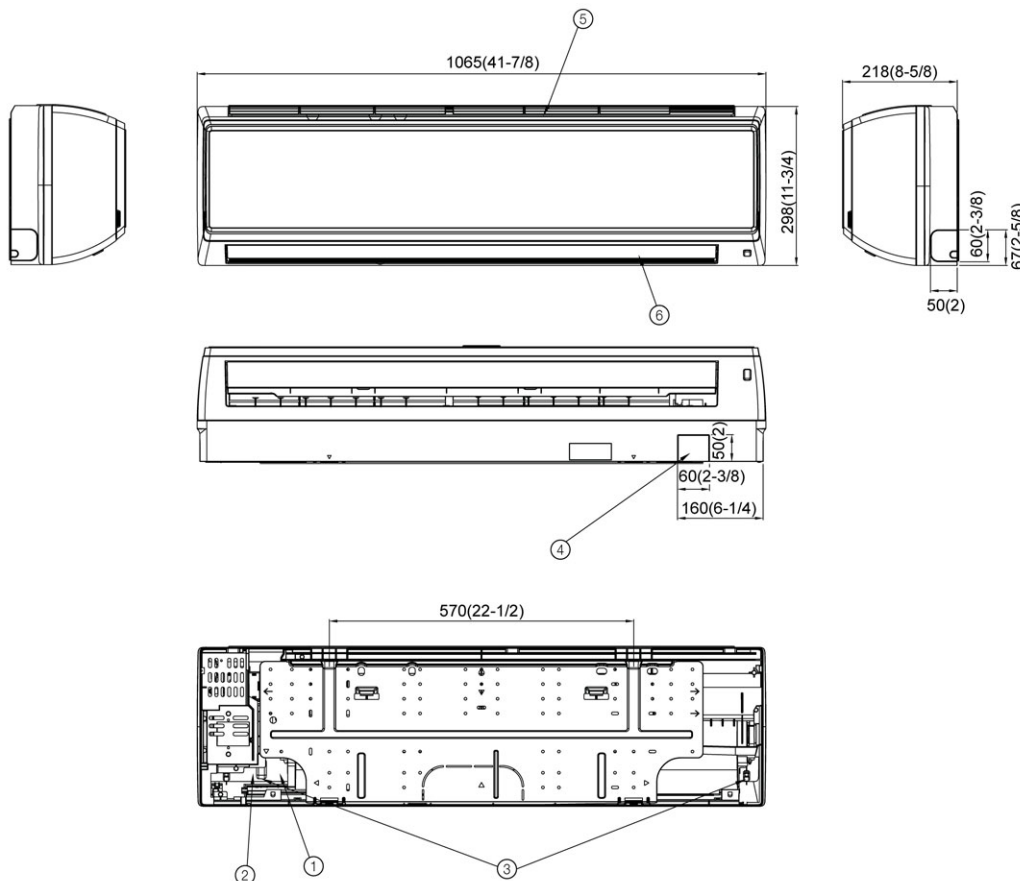
Quietside maintains a policy of ongoing development, specifications are subject to change without notice. Refer to www.AHRIdirectory.org for current reference numbers.

QS-RAC-1211A

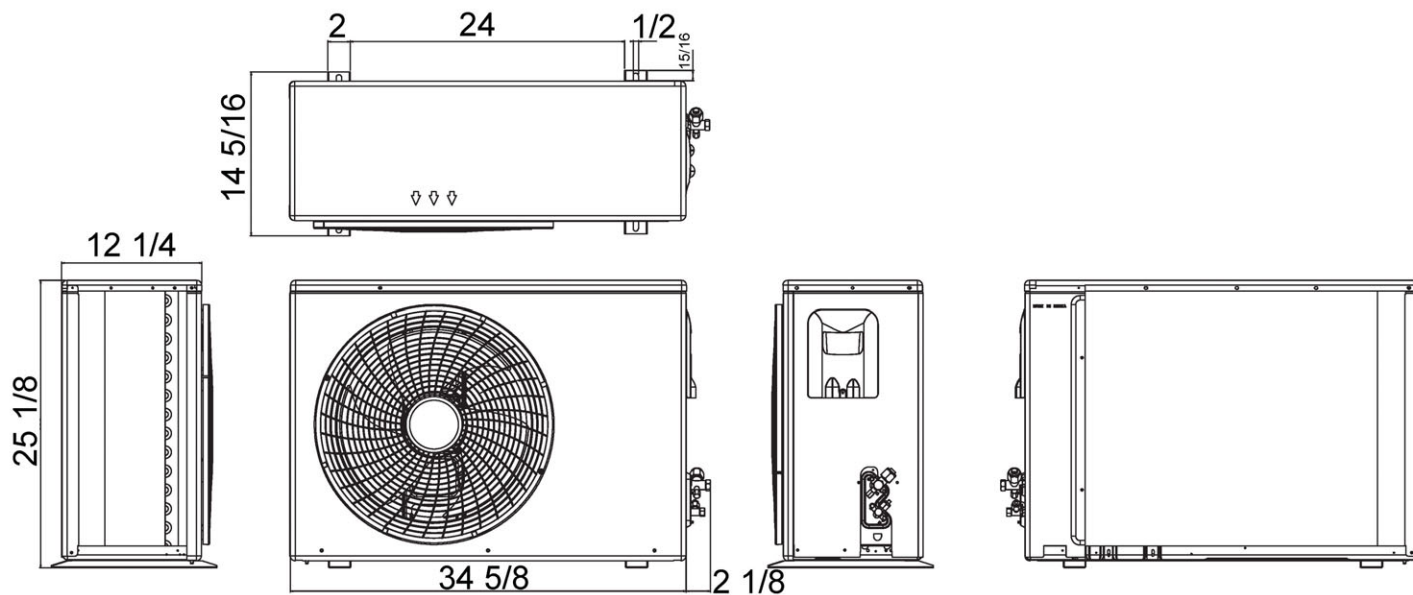




Unit: mm (inches)



| No. | Name | Description |
|-----|---|----------------|
| 1 | Liquid pipe connection | 1/4" Flare |
| 2 | Gas pipe connection | 1/2" Flare |
| 3 | Drain pipe connection | ID 11/16" Hose |
| 4 | Conduit for power supply & communication wiring | - |
| 5 | Air inlet grille | - |
| 6 | Air outlet louver | - |



Quietside maintains a policy of ongoing development, specifications are subject to change without notice.

888-699-6067

www.Quietside.com