

Job Name/Location:

Tag #:

Date:

For: File Resubmit
 Approval Other _____

PO No.:

Architect:

GC:

Engr:

Mech:

Rep:

(Company)

(Project Manager)

LA090HVP
 Art Cool™ Gallery Single Zone Inverter
 Outdoor Unit (ODU) - LAU090HVP Indoor Unit (IDU) - LAN090HVP



Performance:

Cooling:

Capacity (Btu/h)	9,000
SEER	16
EER	12.5

SEER - Seasonal Energy Efficiency Ratio EER - Energy Efficiency Ratio

Heating:

Capacity (Btu/h)	10,800
HSPF	8.2

HSPF - Heating Seasonal Performance Factor

Cooling Nominal Test Conditions: Heating Nominal Test Conditions:

Indoor: 80°F DB/67°F WB

Indoor: 70°F DB/60°F WB

Outdoor: 95°F DB/75°F WB

Outdoor: 47°F DB/43°F WB

Electrical:

Outdoor Unit:

Power Supply (V ¹ /Hz/Ø)	208-230/60/1
MCA (A)	10
MOP (A)	15
Rated Amps (A)	8.1
Compressor (A)	7.6
Fan Motor (A)	0.25

MOP - Maximum Overcurrent Protection MCA - Minimum Circuit Ampacity

Indoor Unit:

Power Supply (V ¹ /Hz/Ø)	208-230/60/1
Cooling Power Input (kW)	0.72
Heating Power Input (kW)	0.85

Piping:

Liquid Line (in, OD)	1/4
Vapor Line (in, OD)	3/8
Additional Refrigerant (oz/ft)	0.22
Max Pipe Length (ft) ²	49.2
Piping Length (no add'l refrigerant, ft)	24.6
Max Elevation (ft)	22.9

Controls Features:

- 24-Hour on/off timer
- Auto changeover
- Auto restart
- Auto sleep mode
- Built-in low ambient standard down to 14°F (cooling mode)
- Chaos Wind
- Customizable art panel
- Dehumidifying mode
- Fan mode
- Jet Cool/Jet Heat
- Self-cleaning indoor coil
- Three-way cooling

Optional Accessories:

- LG Programmable Thermostat - PREMTB10U
- Simple Controller with Mode (Black) - PQRVCVLOQ
- Dry Contact for Third Party Thermostat - PQDSBNGCM1

Operating Range:

Outdoor Unit:

Cooling (°F DB)	14-118
Heating (°F WB)	14-75

Indoor Unit:

Cooling (°F DB)	64-90
Heating (°F DB)	61-86

Unit Data:

Refrigerant Type	R410A
Refrigerant Control	EEV
Refrigerant Charge (lbs)	2.21
ODU Sound Pressure Max ±3 dB(A) ³	45
Indoor Sound Pressure (H/M/L) ±3 dB(A) ³	42/36/32
ODU Net Weight (lbs)	78
ODU Shipping Weight (lbs)	82
IDU Net Weight (lbs)	31
IDU Shipping Weight (lbs)	34
Heat Exchanger Coating	GoldFin™

Fan:

ODU Type	Propeller
IDU Type	Turbo
Fan Speeds (Fan/Cooling/Heating)	4/5/5
Quantity (ODU + IDU)	(1 + 1)
Motor/Drive	Brushless Digitally Controlled/Direct
ODU Max Air Flow Rate (CFM)	1,165
IDU Air Flow H/M/L (CFM)	335/311/247
Dehumidification (pts/hr)	2.54

Notes:

1. Acceptable operating voltage: 187V-253V.
2. Piping lengths are equivalent.
3. Sound Pressure levels are tested in an anechoic chamber under ISO Standard 1996.
4. All communication cable to be minimum 18 AWG, 4-conductor, stranded, shielded and must comply with applicable local and national code.
5. See Engineering Manual for sensible and latent capacities.
6. Power wiring cable size must comply with the applicable local and national code.
7. The indoor unit comes with a dry helium charge.
8. This data is rated 0 ft above sea level, with 24.6 ft of refrigerant line and a 0 ft level difference between outdoor and indoor units.
9. Must follow installation instructions in the applicable LG installation manual.



For continual product development, LG reserves the right to change specifications without notice.

© LG Electronics U.S.A., Inc., Englewood Cliffs, NJ. All rights reserved. "LG Life's Good" is a registered trademark of LG Corp. /www.lghvac.com

LA090HVP

Art Cool™ Gallery Single Zone Inverter

Outdoor Unit (ODU) - LAU090HVP Indoor Unit (IDU) - LAN090HVP

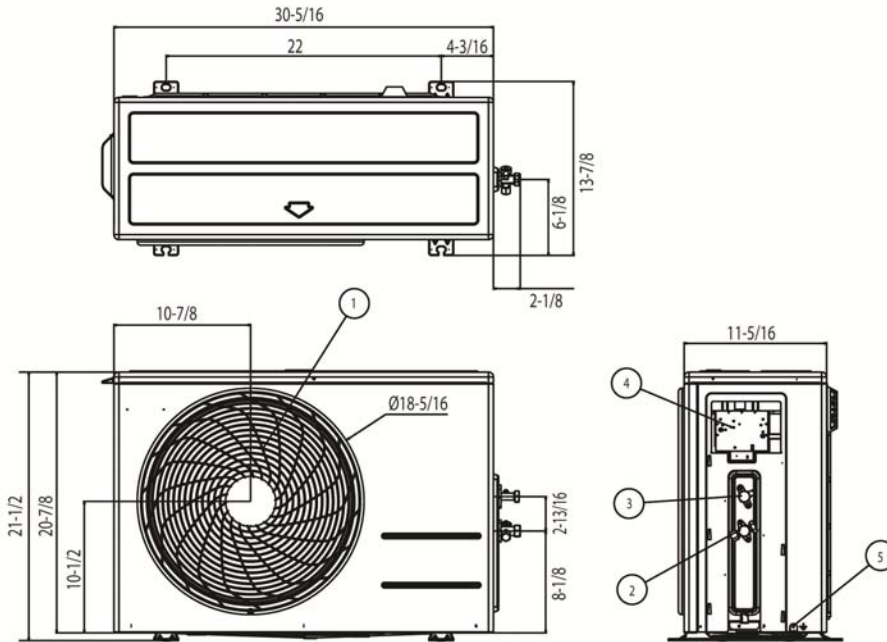


Tag #:

Date:

PO No.:

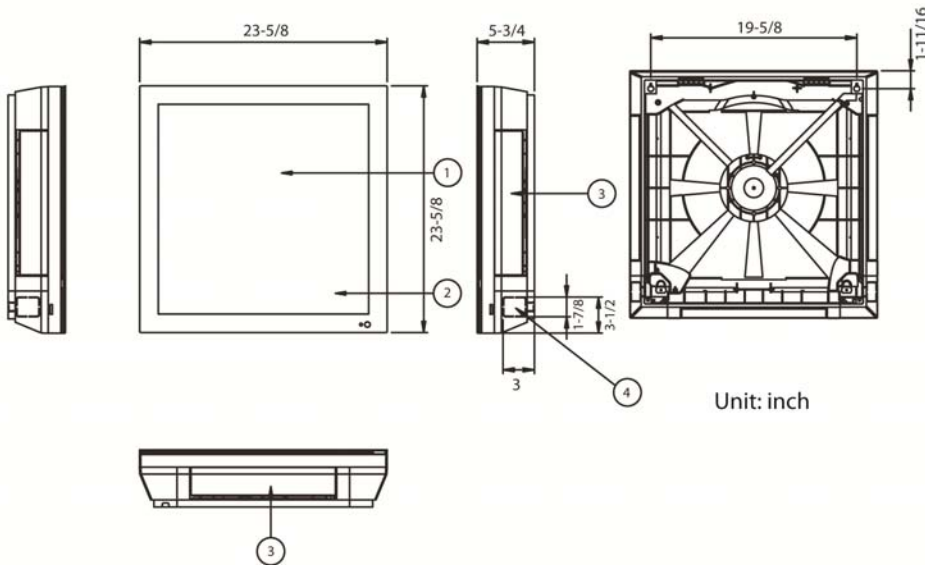
Outdoor Unit



Unit : inch

Item No.	Part Name	Remarks
1	Air Discharge Grille	
2	Gas Pipe Connection Port	
3	Liquid Pipe Connection Port	
4	Control Box	
5	Earth Screw	

Indoor Unit



Unit: inch

Item No.	Part Name	Remarks
1	Front panel	
2	Display & signal receiver	
3	Air discharge grille	
4	Knockout hole	For pipe and cable