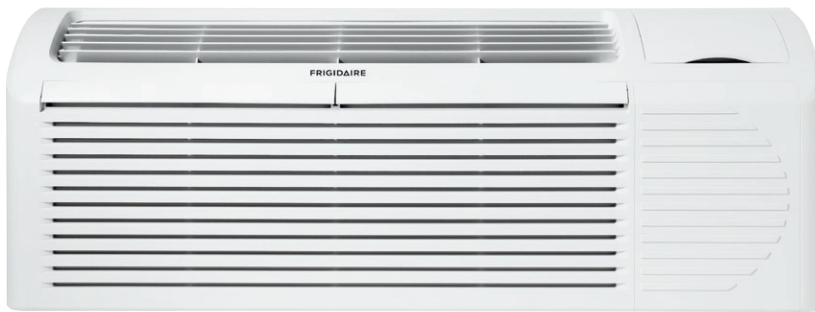




Packaged Terminal Air Conditioner (PTAC) Air Conditioner / Heat Pump / Backup Electric Heater  
FRP90PTT2R



Signature Features

**SilentDesign™**

Sound reduction package.

**Energy-Saver Option**

This function effortlessly maximizes energy efficiency while keeping guests comfortable.

**Effortless™ Maintenance**

With Frigidaire's reputation for durability, easy maintenance, availability of reliable parts and service you can count on, you can be sure that you're getting the highest-quality performance.

**Effortless™ Temperature Control**

Frigidaire® air conditioners maintain the preset room temperature so the room remains comfortable at all times and helps control energy levels.

**Product Dimensions**

Height	16"
Width	42"
Depth	13-13/16"

**More Easy-To-Use Features**

**Comfort Control Design**

Simple controls allow guests to customize their settings, while quiet, uniform air movement keeps rooms comfortable.

**Smart Self-Check**

Provides nine diagnostic points for self-check and correction of fault conditions.

**Eco-Friendly**

Frigidaire® uses R-410A refrigerant that's not harmful to the earth's ozone layer and meets U.S. Environmental Protection Agency requirements.

**Effortless™ Operation**

Simple, intuitive room controls are easy for guests to operate — ensuring a relaxing, more comfortable stay. Features like Effortless™ Restart and Ready-Select® controls reduce maintenance calls.

Performance	BTUs
Cool	9,000 / 8,800
Backup Electric Heater	10,200 / 8,300
Heat Pump	8,100 / 7,900



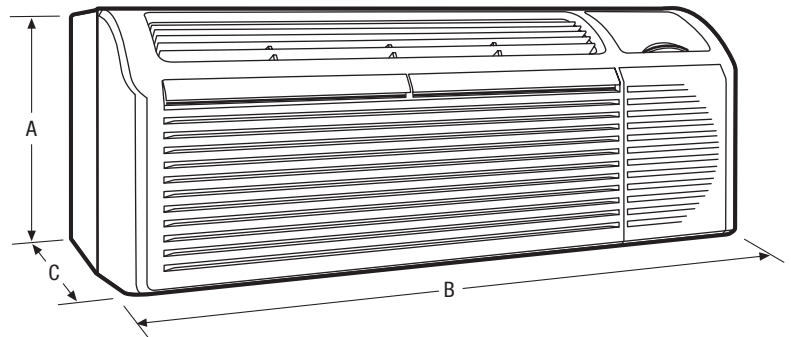
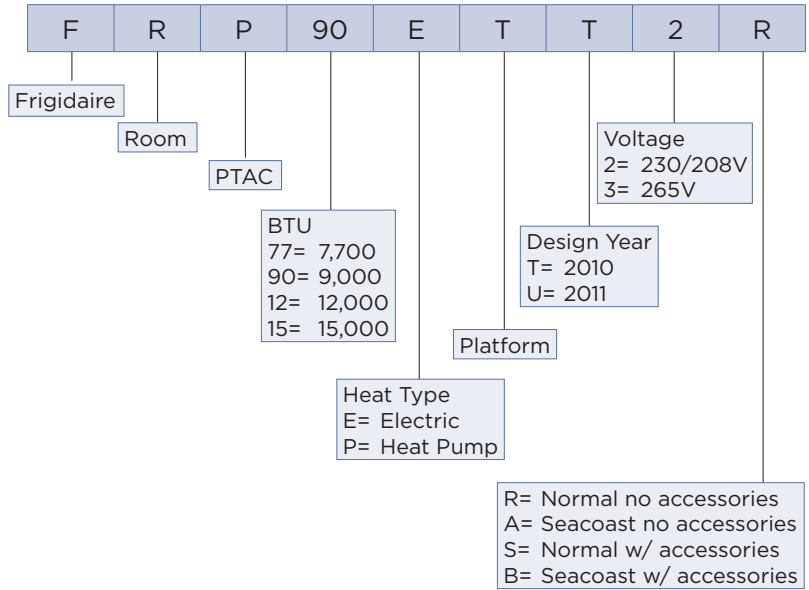
Performance	
BTU (Cool)	9,000/8,800
BTU (Backup Electric Heater)	10,200/8,300
BTU (Heat Pump)	8,100/7,900
Dehumidification (Pints/Hour)	2.1
Cool Area (Sq. Ft.)	440
Energy Efficiency Ratio	11.3/11.4
Electrical	
Volts	230/208
Amps (Cool)	3.7/3.9
Amps (Backup Electric Heater)	13.2/12.2
Amps (Heat Pump)	3.4/3.8
Watts (Cool)	800/770
Watts (Backup Electric Heater)	3,000/2,452
Watts (Heat Pump)	720/700
Cable Included	Yes
Length of Power Cord	5.5'
Circuit Breaker	20A
Plug Type (NEMA)	LCDI (6-20P)
Features	
Electronic Controls	Ready-Select® Controls
Front Desk Control Ready	Yes
Fan Speeds (Cool/Fan/Heat)	3/3/3
Noise Level Indoors (High/Med/Low)	51/50/49
Quiet Start-Up	Yes
Low Voltage Start-Up	Yes
Random Restart Protection	Yes
Effortless™ Auto Freeze Protection	Yes
Energy Save	Yes
24-Hour On/Off Timer	Yes
Air CFM (High/Med/Low)	302/284/267
Air Direction Control	Auxiliary 2-Way
Air Intake	Fresh or Recycled
Filter Type	Nylon Mesh
Filter Access	Slide-Out
Fin Coating	Normal
Slide-Out Chassis	Yes
Commercial Grade Warranty <sup>1</sup>	Yes
Certifications	
Safety Certification	UL, CUL & CSA
Performance	AHRI & CEC
Specifications	
Refrigerant	R410a
Charge	25.0 oz.
Shipping Weight (Approx.)	131 Lbs.

<sup>1</sup>Warranty 5 year sealed system/1 year full parts and labor.



Plug Type (NEMA)  
6-20P

**PTAC Nomenclature**



**NOTE:** For planning purposes only. Always consult local and national electric codes. Refer to Product Installation Guide for detailed installation instructions on the web at [frigidaire.com](http://frigidaire.com).

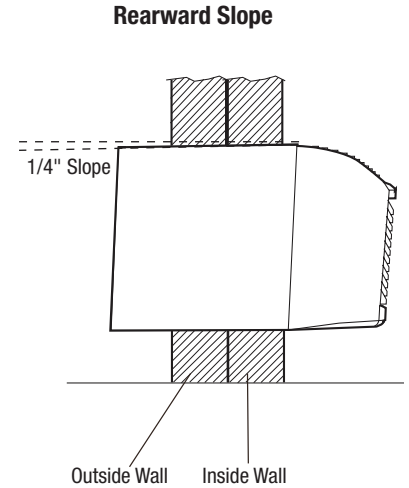
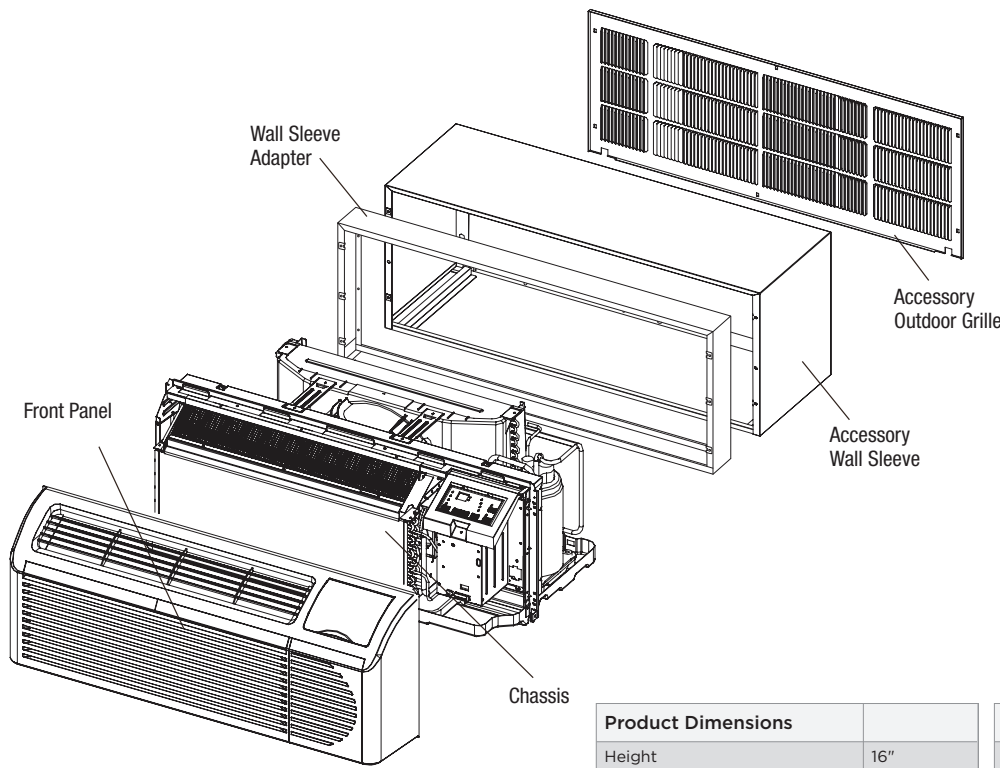


Product Dimensions	
A - Height	16"
B - Width	42"
C - Depth	13-13/16"
Max. Wall Thickness	13-13/16" <sup>2</sup>

Wall Cutout Dimensions	
Height	16-5/16"
Width	42-3/16"

<sup>2</sup>Unless the PTAC unit is installed with a wall sleeve.

Accessories information available on the web at [frigidaire.com](http://frigidaire.com)



Product Dimensions	
Height	16"
Width	42"
Depth	13-13/16"
Max. Wall Thickness	13-13/16"

Wall Cutout Dimensions	
Height	16-5/16"
Width	42-3/16"



Plug Type (NEMA) 6-20P

**PTAC Specifications**

- Product Shipping Weight (approx.) - 131 Lbs.
- An electrical supply with grounded three-prong receptacle is required. The power supply circuit must be installed in accordance with current edition of National Electrical Code (ANSI/NFPA 70) and local codes & ordinances.
- Voltage Rating - 230V/208V/60 Hz/20 Amps
- Amps @ 230/208V Volts = (Cool) 3.7/3.9 Amps/(Backup Electric Heater) 13.2/12.2 Amps/(Heat Pump) 3.4/3.8 Amps
- Always consult local and national electric codes.
- Recommended Circuit Breaker - 20 Amps
- Unit equipped with 230/208V 3-wire power supply cord, NEMA plug type 6-20P, approximately 66" long.
- In order for condensate water to drain properly inside the unit, the sleeve must be installed properly: Level from right to left with a slight 1/4" rearward pitch from the indoor side to the outdoor side as shown in the illustration above. Refer to the Installation Instructions on the web.
- The drain kit listed on the Frigidaire® PTAC Accessories page can be used for an internal or external drain. This applies to new and replacement installation.

**New Installation**

- For new installation, Frigidaire® PTAC Sleeves are available and recommended for proper installation. See accessories pages for sleeve options.\*
- Standard PTAC installation requires 13-13/16" maximum wall thickness, unless a wall sleeve is used.
- If the PTAC unit protrudes more than 4", then it is suggested that it be installed with a subbase. See accessories pages for subbase options.

**Replacement Installation**

- When replacing existing PTAC with new unit, refer to Product Installation Guide on web to identify existing wall-sleeve manufacturer and size compatibility. If proper installation and slope are suspect, then correct installation of Frigidaire® PTAC Sleeve options recommended.
- For any sleeve retrofit application, be sure that the foam seals (factory-installed on the tube sheets) provide a good seal between the grille and the outdoor coil tube sheets. These foam seals provide a barrier that stops air from the inside mixing with air on the outside (known as air recirculation).
- Using Frigidaire® wall sleeve with Non-Frigidaire grille requires installation of an Accessory Baffle Kit, which ensures a good seal between the unit and exterior grille to prevent air recirculation. Air recirculation is a large contributor to performance loss and premature damage to major components.

*Note: For planning purposes only. Refer to Product Installation Guide on the web at [frigidaire.com](http://frigidaire.com) for detailed instructions.*

*\*See Frigidaire® PTAC accessories pages attached for optional accessories.*

**FRIGIDAIRE**

USA • 10200 David Taylor Drive • Charlotte, NC 28262 • 1-866-942-1567 • [frigidaire.com](http://frigidaire.com)  
 CANADA • 5855 Terry Fox Way • Mississauga, ON L5V 3E4 • 1-866-942-1567 • [frigidaire.ca](http://frigidaire.ca)



# Packaged Terminal Air Conditioner (PTAC) **FRIGIDAIRE**

FRP90PTT2R - Cool & Heat Pump with Electric Heat Back-up, 9,000 BTU

JOB:	REFERENCE:	CONSTRUCTION:
LOCATION:	APPROVAL:	UNIT NUMBER:
ENGINEER:	DATE:	DRAWING NUMBER:
SUBMITTED TO:	SUBMITTED BY:	

## Features

- SilentDesign™
- Energy-Saver Option
- Eco-Friendly with R410a Refrigerant
- Ready-Select® Controls with LED Temperature Display
- Effortless™ Temperature Control
- Versatile Multi-Mode Operation
- Effortless™ Operation
- Multi-Speed Fan
- 24 Hour On/Off Timer
- Effortless™ Maintenance
- Effortless™ Protection
- Comfort Control Design
- Smart Self-Check
- Front desk Control Ready
- Cord included (LCDI 6-20P)
- Commercial Grade Warranty

## Dimensions

Height: 16"  
 Width: 42"  
 Depth: 13 13/16"  
 Unit Weight: 106 Lbs.  
 Shipping Weight: 131 Lbs.  
 Max Wall Thickness: 13 13/16"  
 Cut-Out Height: 16 5/16"  
 Cut-Out Width: 42 3/16"

PERFORMANCE	
BTU (Cool)	9,000/8,800
BTU (Heat Pump)	8,100/7,900
BTU (Heat - Electric)	10,200/8,300
EER (Cooling)	11.3/11.4
COP (Heat Pump)	3.3/3.3
Dehumidification (Pints/Hr.)	2.1
Approximate Cooling Area (Sq. Ft.)	440
Performance Certification	AHRI & CEC
Safety Certification	UL, CUL & CSA
Commercial Grade Warranty	1 Year Full/5 Year Sealed
ELECTRICAL	
Volts/Hertz	230/208V/60Hz
Amps (Cool)	3.7/3.9
Watts (Cool)	800/770
Amps (Heat Pump)	2.4/2.5
Watts (Heat Pump)	720/700
Amps (Heat - Electric)	13.2/12.2
Watts (Heat - Electric)	3000/2452
Circuit Breaker	20A
NEMA Plug Type	LCDI 6-20P

SPECIFICATIONS	
Refrigerant	R410A
Charge (Oz.)	25.0
Noise Level Indoors (High/Med/Low) (dB)	51/50/49
Air Volume (CFM) (High/Med/Low)	302/284/267
Motor RPM (High/Med/Low)	1030/970/890
Air Direction Control	Auxiliary 2-way
UPC Code	0-12505-27601-9
FEATURES	
Fin Coating	Normal
Air Intake	Fresh or Recycled
Low-Voltage Start-up	Yes
Auto Fan	Yes
Energy Saver	Yes
24 Hour On/Off Timer	Yes
Room Freeze Protection	Yes
Random Restart Protection	Yes
Quiet Start-up	Yes
Indoor Fan Speeds	3
LED Display	Yes

**ACCESSORIES** – A complete line of accessories is available for each Frigidaire PTAC model. For more details please contact our Commercial Call Center at 1-866-942-1567.



F11FRP90PTT2RSS

# Packaged Terminal Air Conditioner (PTAC)

## ACCESSORIES

# FRIGIDAIRE®

### Metal Wall Sleeves and Accessories

The electro-galvanized steel used to make this metal sleeve resists corrosion. The white powder coating matches the color of the Frigidaire® PTAC. Sliding keyhole grille attachments at the back enable easy, one-person installation from the inside.

**5304482701 — Steel Wall Sleeve, Insulated**

This extended width wall sleeve is fully insulated and made of galvanized steel. It is welded and protected with baked-on enamel. Welded areas are protected with a sealing compound to prevent rust.

**5304483759 — Metal Wall Sleeve Extension, Insulated, 16"**

**5308815304 — Metal Wall Sleeve Extension, Insulated, 18"**

**5308815305 — Metal Wall Sleeve Extension, Insulated, 24"**

**5304483760 — Metal Wall Sleeve 3" Adapter**



### Aluminum Grilles

The extruded aluminum outdoor grille will enhance the appearance of any building. The grilles are made of a durable, anodized aluminum that resists weather. Installs easily onto the Frigidaire® metal wall sleeve, thanks to the sliding keyhole attachment.

**5304480558 — Architectural Aluminum Outdoor Grille, Clear**

**5308815313 — Architectural Aluminum Outdoor Grille, Dark Brown**

**530448055X — Architectural Aluminum Outdoor Grille, Customized Color**

**5304480557 — Stamped Aluminum Outdoor Grille, Clear**

**5304484585 — Baffle Kit**



### Polymer Wall Sleeves

The universal polymer wall sleeve utilizes fiberglass reinforced polyester compound to produce a durable, non-corrosive, wall case that provides superior sound absorption, reduces heat loss, and prevents sleeve sweating.

**5308815302 — Polymer Wall Sleeve, Insulated**

**5308815301 — Polymer Wall Sleeve, Non-Insulated**

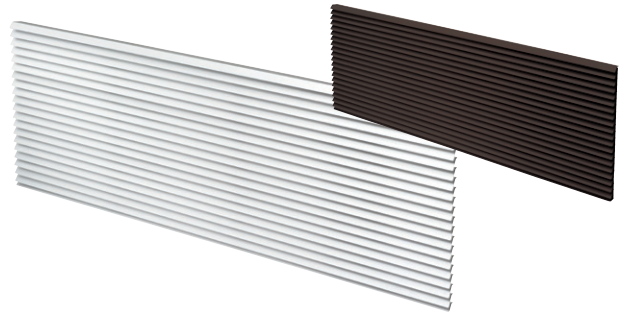


### Polymer Grilles

The polymeric architectural outdoor grille blends with most building exteriors. Its durable design offers protection, has an enhanced appearance and provides superior weather resistance.

**5308815310 — Polymer Architectural Outdoor Grille, Brown**

**5308815312 — Polymer Architectural Outdoor Grille, Alpine**



### Universal Drain Kit

The condensate drain kit is used to control condensate water from the packaged terminal unit. This universal drain kit can be used for exterior or interior drain systems.

**5304480570 — Condensation Universal Drain Kit, 1 Pack**





# Packaged Terminal Air Conditioner (PTAC)

## ACCESSORIES

# FRIGIDAIRE

### Air Filters

In order to ensure a healthy room environment the air filters should be changed periodically. By changing the air filters, airflow, temperature control and energy efficiency is maintained.

**5304482892 — Air Filters, 10 Pack**



### Decorative Subbases & Supports

The non-electrical subbase is made of heavy gauge steel to provide support for the wall sleeve. The subbase is designed to mount directly to the wall sleeve. Leveling legs attach easily to the wall sleeve and offer accurate leveling and support for units.

**5308815315 — Decorative Subbase, Black**

**5304480575 — Leveling Legs**



### Wireless Wall Thermostats

The wireless Effortless™ Temperature Control wall thermostat allows control without having to worry about wiring. Easy to install and easy to use. Large intuitive LCD screen improves the user interaction.

**5304482699 — Wireless Digital Thermostat, Non-Programmable**

**5304482XXX — Antenna for Wireless Wall Thermostat**



### Electrical Subbases

The electrical subbase provides the same features as the non-electrical subbase, plus a factory-installed electrical junction box containing a receptacle for corded packaged terminal air conditioner units.

**5304482886 — Electrical Subbase-230V-15A, Black**

**5304482887 — Electrical Subbase-230V-20A, Black**

**5304482888 — Electrical Subbase-230V-30A, Black**

**5304482889 — Electrical Subbase-265V-15A, Black**

**5304482890 — Electrical Subbase-265V-20A, Black**

**5304482891 — Electrical Subbase-265V-30A, Black**

**5304482698 — Subbase Disconnect Switch, 265V**



### Hardwire Kits

Hardwire kits allow your PTAC to be permanently connected to a power source. The kit includes a 36" metal conduit and connector.

**5304482696 — Hardwire Kit, 20 Amps**

**5304482697 — Hardwire Kit, 30 Amps**



### Wired Digital Wall Thermostats

With the Effortless™ Temperature Control wired wall thermostat, comfort and precision is in your hands. Programmable or non-programmable, this thermostat offers autochangeover, 2-stage heating and cooling, as well as emergency heating mode (for Heat Pump).

**5304482700 — Wired Digital Wall Thermostat, Programmable**

**5304483050 — Wired Digital Wall Thermostat, Non-Programmable**

**5304484139 — Transfer Cable (For Quick Programming of Wired Thermostats)**

