

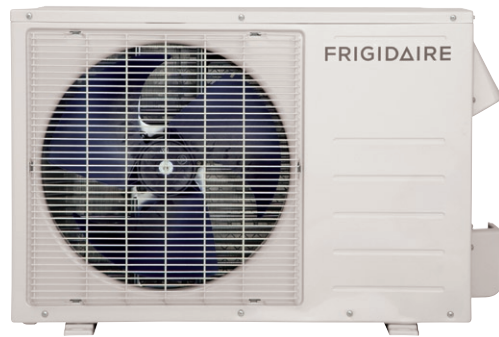
# Home Comfort

FRS093LS1

## Ductless Mini-Split Air Conditioner



FRS093LW1<sup>1</sup> Indoor



FRS093LC1<sup>1</sup> Outdoor

### Product Dimensions Evaporator (Indoor) Model

Height	10-7/16"
Width	31-1/8"
Depth	7-11/16"

### Product Dimensions Condenser (Outdoor) Model

Height	21-1/4"
Width	30-3/4"
Depth	9-7/8"

### More Easy-To-Use Features

#### Energy and Cost Savings

A split system helps avoid the energy losses that normally come with ductwork. This loss can amount to up to 40% due to leaks, tears and long lengths.

#### Multi-Speed Fan

Features three different fan speeds, for more cooling flexibility.

#### Sleep Mode

Quiet operation keeps you cool without keeping you awake. Plus, Sleep Mode gradually increases room temperature after being activated.

#### Quickly Cools

Turbo Mode for that quick cool-down when you first turn it on.

#### Comfort Control Design

Easily control the direction of your cool air, wherever your unit is.

#### Effortless™ Restart

Automatically resumes operating at its previous settings when power is restored to your unit.

#### 24-Hour On/Off Timer

Performance	BTUs
Cool	9,000

<sup>1</sup>Photo may not represent actual model.

## Signature Features

### Effortless™ Temperature Control

Our air conditioners maintain the preset room temperature, so you will remain comfortable at all times.

### Ready-Select® Controls

Easily select options with the touch of a button.

### Remote Control

Allows you to precisely control the temperature and fan speed from across the room.

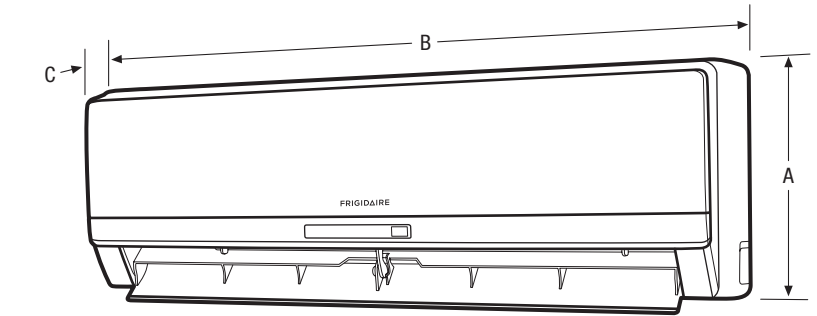
### Effortless™ Clean Filter

Our antimicrobial filter cleans the air, removing harmful bacteria.

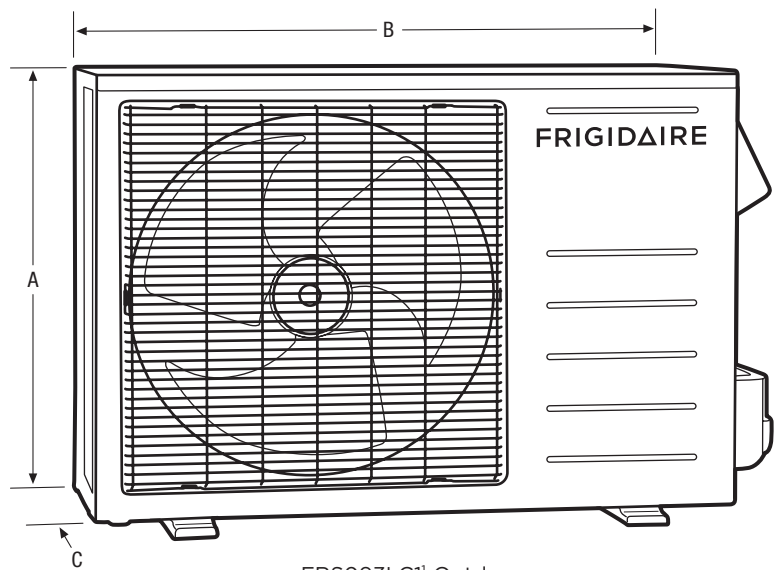
<b>Model Numbers</b>	
System Model Number	FRS093LS1
Indoor Unit Part Number	FRS093LW1
Outdoor Unit Part Number <sup>1</sup>	FRS093LC1
<b>Performance</b>	
BTU (Cool)	9,000
Cooling Area (Sq. Ft.)	425
SEER (Air Conditioner)	13
Inverter Technology	
<b>Electrical</b>	
Volts (Cool) Indoor/Outdoor	DC 35V /115V
Amps (Cool) Indoor/Outdoor	0.7 / 7.6
Watts (Cool) Indoor/Outdoor	20 / 780
Fuse (Amps) Indoor/Outdoor	13.5 / 15
<b>Features</b>	
Controls	Ready-Select® Controls
Fan Speeds (Cool/Fan)	3 / 3
Low Voltage Start-Up	Yes
Turbo Fan	Yes
Auto Fan	Yes
Energy Saver	Yes
Sleep Mode	Yes
24-Hour On/Off Timer	Yes
Remote Control	Full-Function
Air CFM (High/Med/Low) Indoor	341/270/217
Air Direction Control (Vert./Horz.)	Yes/Yes
Air Discharge (Full-Width)	Bottom
Filter Type	Antimicrobial Mesh
Filter Access	Slide-Out
Air Direction Control - Horizontal	Manual
Air Direction Control - Vertical	Swing
dB (Indoor) (High/Med/Low)	42/36/29
dB (Outdoor)	55
Warranty <sup>2</sup>	Yes
<b>Included Accessories</b>	
Drain Kit (Outdoor Unit)	Yes
Installation Plate (Indoor Unit)	Yes
Line Set (Indoor Unit)	Yes
Remote Holder (Indoor Unit)	Yes
<b>Certifications</b>	
ENERGY STAR®	
Performance	AHRI
<b>Specifications</b>	
Refrigerant	R410a
Shipping Weight (Approx.) Indoor	20 Lbs.
Shipping Weight (Approx.) Outdoor	77 Lbs.

<sup>1</sup>Includes 16.4 ft. line set.

<sup>2</sup>Warranty 5 year sealed system/1 year full parts and labor.



FRS093LW1<sup>1</sup> Indoor



FRS093LC1<sup>1</sup> Outdoor

NOTE: For planning purposes only. Always consult local and national electric codes. Refer to Product Installation Guide for detailed installation instructions on the web at [frigidaire.com](http://frigidaire.com).



Product Dimensions	
<b>Indoor -</b>	
A - Height	10-7/16"
B - Width	31-1/8"
C - Depth	7-11/16"
Max. Wall Thickness	18"
<b>Outdoor -</b>	
A - Height	21-1/4"
B - Width	30-3/4"
C - Depth	9-7/8"

<sup>1</sup>Illustration may not represent actual model.

All refrigeration and electrical work must be performed by a certified and licensed refrigeration technician for full parts and labor warranty validation. Insulated line sets and control wires are required and available for Frigidaire split systems in 16.4 ft. length. Each line set is equipped with flare nuts on both ends. Each system requires one line set for each indoor unit installed.

Accessories information available on the web at [frigidaire.com](http://frigidaire.com)

# Ductless Mini-Split System Air Conditioners Servicer Technical Data Sheet

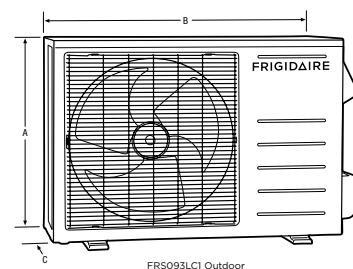
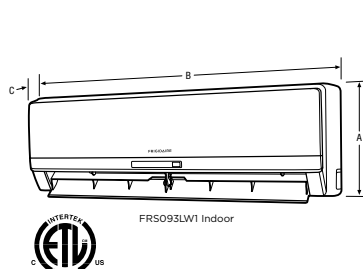
# FRIGIDAIRE®

## FRS093LS1

<b>POWER</b>	
Circuit Amps	13.6 A
Maximum Fuse Size	15 A
<b>CAPACITIES</b>	
Cooling	9,000 Btu
Amps	7.6 A
Watts	780 W
Min/Max Cooling	n/a
SEER	13.0
EER	14.8422
Low Ambient Temperature	17° C-43° C (62° F-109° F)
Voltage/Frequency/Phase	115V/60Hz/1P
Dehumidification	2.0 PT/H
<b>INDOOR UNIT</b>	
Sound Rating	42/36/29 dB(A)
Net Weight	17 lb
Shipping Weight	20 lb
Dimensions (H x W x D)	10.43" x 31.1" x 7.68"
Full Loaded Amps	0.7 A
Number of Fan Speeds	3
Fan Type	cross flow
RPM at High Speed	1250 rpm
Motor Watts	20 W
Full Loaded Amps	0.7 A
Coil Type	aluminum fin & copper pipe
Fin Type	Hydrophilic aluminium
Pipe Type	innergroove copper pipe
Fin Rows (FPI)	2
Tube Diameter	ϕ 7 mm (9/32")
Drain Connection Size	ϕ 15.4 mm (3/5")
<b>FEATURES</b>	
Controls	electronic
Remote Control	lcd wireless
Temperature Control	17-30° C
Timer	24 hr
Air Louvers	1 pieces
Horizontal	manual
Vertical	swing
Low Voltage Restart	yes
Self-Diagnosis	yes
Quiet Operation	yes
Air Filter	washable, anti-mold
<b>COMPRESSOR</b>	
Controls	rotary
Remote Control	7.46
Temperature Control	40.3

<b>REFRIGERANT SYSTEM</b>	
Refrigerant	R410A
Ounces	37.04
Control	capillary
Lineset	16.4 ft
Maximum Height	26 ft
Maximum Line length	65.6 ft
Discharge Vapor Line (od)	ϕ 6 mm (1/4")
Suction (od)	ϕ 9.52 mm (3/8")
<b>OUTDOOR UNIT</b>	
Sound rating	≤ 55 dB (A)
Net Weight	71 lbs
Shipping Weight	77 lbs
Dimensions (H x W x D)	21.26" x 30.71" x 9.84"
Recommended Fuse	15 A
Minimum Amps	0.7 A
Running Current	7.6 A
Fan Type	Axial
Fan Diameter/Number of Speeds	15.79"-1
Drive Type	asynchronous
Motor Watts	77 W
Number of Poles and RPM	6-880 rpm
CFM (High)	1058
Coil Type	aluminum fin & copper pipe
Fin Type	Unhydrophilic aluminium
Pipe Type	innergroove copper pipe
Fin Rows (FPI)	2
Tube Size	ϕ 7 mm (9/32")
<b>OPERATING RANGE</b>	
<b>Indoor Air</b>	
intake temp	
Cooling	32.2° C db/wb 22.8° C db/wb
Heating	21° C db/wb 15° C db/wb
<b>Outdoor Air</b>	
intake temp	
Cooling	43.3° C db/wb 25.6° C db/wb
Heating	18° C db/wb 12° C db/wb
<b>HEATING</b>	
Total Capacity (BTU)	N/A
HSPF	N/A
Amps	N/A
Max Amps	N/A
Power Inputs	N/A
Back Up Strip Heater	N/A
Outdoor Sound Rating	N/A

<b>PRODUCT DIMENSIONS</b>	
<b>Indoor -</b>	
A - Height	10-7/16"
B - Width	31-1/8"
C - Depth	7-11/16"
Max. Wall Thickness	18"
<b>Outdoor -</b>	
A - Height	21-1/4"
B - Width	30-3/4"
C - Depth	9-7/8"



# Ductless Mini-Split System Air Conditioners Submittal Sheet

# FRIGIDAIRE®

## FRS093LS1

Job: \_\_\_\_\_ Reference: \_\_\_\_\_ Construction: \_\_\_\_\_  
 Location: \_\_\_\_\_ Approval: \_\_\_\_\_ Unit Number: \_\_\_\_\_  
 Engineer: \_\_\_\_\_ Date: \_\_\_\_\_ Drawing Number: \_\_\_\_\_  
 Submitted to: \_\_\_\_\_ Submitted by: \_\_\_\_\_

<b>POWER</b>	
Circuit Amps	13.6 A
Maximum Fuse Size	15 A
<b>CAPACITIES</b>	
Cooling	9,000 Btu
Amps	7.6 A
Watts	780 W
Min/Max Cooling	N/A
SEER	13.0
EER	14.8422
Low Ambient Temperature	17° C-43° C (62° F-109° F)
Voltage/Frequency/Phase	115V/60Hz/1P
Dehumidification	2.0 PT/H
<b>INDOOR UNIT</b>	
Sound Rating	42/36/29 dB (A)
Net Weight	17 lb
Shipping Weight	20 lb
Dimensions (H x W x D)	10.43" x 31.1" x 7.68"
Full Loaded Amps	0.7 A
Number of Fan Speeds	3
Fan Type	cross flow
Motor Watts	20 W
Full Loaded Amps	0.7 A
<b>COMPRESSOR</b>	
Type	rotary
Amps	7.46 A
Locked Rotor Amps	40.3 A

<b>OUTDOOR UNIT</b>	
Sound Rating	≤ 55 dB (A)
Net Weight	71 lb
Shipping Weight	77 lb
Dimensions (H x W x D)	21.26" x 30.71" x 9.84"
Recommended Fuse	15 A
Minimum Amps	0.7 A
Running Current	7.6 A
Drive Type	asynchronous
Motor Watts	77 W
CFM (high)	1058
<b>FEATURES</b>	
Controls	electronic
Remote Control	lcd wireless
Temperature control	17-30° C
Timer	24 hr
Air Louvers	1 pieces
Horizontal	manual
Vertical	swing
Low Voltage Restart	yes
Self-Diagnosis	yes
Quiet Operation	yes
Air Filter	washable, anti-mold
<b>REFRIGERANT SYSTEM</b>	
Refrigerant	R410A
Ounces	37.04
Lineset	16.4 ft
Maximum Height	26 ft
Maximum Line length	65.6 ft
Discharge Vapor Line (od)	φ 6 mm (1/4")
Suction (od)	φ 9.52 mm (3/8")

<b>PRODUCT DIMENSIONS</b>	
<b>Indoor -</b>	
A - Height	10-7/16"
B - Width	31-1/8"
C - Depth	7-11/16"
Max. Wall Thickness	18"
<b>Outdoor -</b>	
A - Height	21-1/4"
B - Width	30-3/4"
C - Depth	9-7/8"

