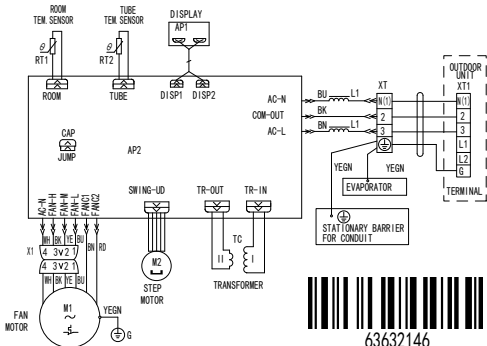


OUTDOOR UNIT

SYMBOL	NAME
EH	ELECTRIC HEATER
XT1	TERMINAL BOARD
AP1	MAIN PCB
L1/L2	REACTOR
COMP	COMPRESSOR
M	FAN MOTOR
4YV	4-WAY VALVE
HP1	HIGH PRESSURE SWITCH(4.2/3.6MPa)
HP2	HIGH PRESSURE SWITCH(3.0/2.4MPa)
SAT	COMP. OVER LOAD
20K	PIPE TEMP. SENSOR
15K	ENVIRONMENT TEMP. SENSOR
50K	DISCHARGE GAS TEMP. SENSOR

NOTE:
 Motor ground only applies to the iron shell motor.

OUTDOOR UNIT
 63633390



63632146

INDOOR UNIT